

	Date	12-Aug-2021	SPECIFICATION	OLE WOLFF
	Page	1 / 10		www.owolff.com
	CN	P/N: OWR-1026T-32C		Revision:00



PRELIMINARY SPECIFICATION

Receiver

Part Number	OWR-1026T-32C
Note	This item was compliance with the following requirements: 1. RoHS directive 2. REACH
Customer P/N	

Ole Wolff	Signature / Date	Prepared	Checked	Approved
		Allen Wang 2021.08.12		Nathan Chen 2021.08.12

Customer	Signature / Date	Confirmation		

REVISION NOTES:

Date	Rev.	Description of Revision
2021.08.12	00	Initial Release

OLE WOLFF ELEKTRONIK A/S Roedengvej 25 4180 Soroe Denmark TEL: +45 57833830 FAX: +45 57820019	OLE WOLFF ELECTRONICS INC. 1525 McCarthy Blvd, Suite 1093 Milpitas, Ca 95035 USA TEL: +1 408 888 8413	OLEWOLFF ELEKTRONIK GmbH Schulstrasse 15A. DE-25451 Quickborn. Germany TEL: +49 (0) 4106 765900 FAX: +49 (0) 4106 627297	OLEWOLFF ELECTRONICS 3 Bedford Street, Woburn, Bedfordshire MK17 9QB, ENGLAND TEL: +44 (0) 1525 290755 FAX: +44 (0) 1525 290855	OLE WOLFF ELEKTRONIK Yliopistonkatu 26 (P.O.BOX 257) FI-40101 Jyväskylä Finland TEL: +358 14 338 3050 FAX: +358 14 338 3059	OLE WOLFF (ASIA) LTD. Unit B, 19/F., Bold Win Ind. Bldg., No. 16-18 Wah Sing St., Kwai Chung, N.T., H.K. TEL: +852 2424 3274 FAX: +852 2424 2219	OLE WOLFF LTD. 5 Floor, Block G, WenTao Industrial Park, YingRenShi, Bao'an District, Shenzhen City, Guangdong Province, PRC. TEL: +86 755 82612542 TEL: +86 755 26406156
---	---	--	---	--	--	---

	Date	12-Aug-2021	SPECIFICATION	OLE WOLFF
	Page	2 / 10		www.owolff.com
	CN	P/N: OWR-1026T-32C		Revision:00

1. SCOPE

THIS SPECIFICATION IS APPLIED FOR A DYNAMIC RECEIVER FOR EARPHONE.

2. TEST CONDITIONS

TEMPERATURE : 24°C ~ 27°C

HUMIDITY : 65% +/-10% (R.H.)

ATMOSPHERE : 860 ~ 1060 hPa

3. GENERAL REQUIREMENTS

OPERATING TEMPERATURE RANGE: -25° C ~ 60° C

STORAGE TEMPERATUR RANGE: -25° C ~ 60° C

4. MECANICAL LAYOUT & DIMENSIONS

DIMENSIONS : SHOWN IN FIGURE.5

NET WEIGHT: 0.41g± 10%

5. ELECTRICAL AND ACOUSTICAL CHARACTERISTICS

1	Impedance on IEC 60318-4	32Ω ± 15% at 3KHz with 0.179V/1mW
2	Sound Pressure Level on IEC 60318-4	125.5±3dB at 1000Hz with input 0.179V/1mW (0dB=20μPa) Measure setup as shown in Fig.1
3	Resonance Frequency on IEC 60318-4	600Hz± 20% with input 0.179V/1mW(Temperature 24°C ~ 27°C, humidity55-65%)
4	Frequency Response on IEC 60318-4	Typical performance as shown in Fig.6. (Test input 0.179V/1mW)
5	Total Harmonic Distortion on IEC 60318-4	THD as shown in Fig.6 (Test input 0.179V/1mW)
6	Sound Pressure Level in free field	79.5dB at 1000Hz with input 0.179V/1mW/10mm (0dB=20 μ Pa) (for reference)
7	Resonance frequency in free field	200Hz with input 0.179V/1mW(Temperature 24°C ~ 27°C, humidity55-65%) (for reference)
8	Frequency response in free field	Typical performance as shown in Fig.7. (Test input 0.179V/1mW/10mm) (for reference)
9	Total Harmonic Distortion in free field	THD as shown in Fig.7 (Test input 0.179V/1mW/10mm) (for reference)
10	Input Power	(Nom./Max.): 2mW /TBD
11	Rub & Buzz	Speaker must be free of audible noise at 0.253v sine wave between 50Hz-10KHz

OLE WOLFF ELEKTRONIK A/S Roedengvej 25 4180 Soroe Denmark TEL: +45 57833830 FAX: +45 57820019	OLE WOLFF ELECTRONICS INC. 1525 McCarthy Blvd, Suite 1093 Milpitas, Ca 95035 USA TEL: +1 408 888 8413	OLEWOLFF ELEKTRONIK GmbH Schulstrasse 15A. DE-25451 Quickborn. Germany TEL: +49 (0) 4106 765900 FAX: +49 (0) 4106 627297	OLEWOLFF ELECTRONICS 3 Bedford Street, Woburn, Bedfordshire MK17 9QB, ENGLAND TEL: +44 (0) 1525 290755 FAX: +44 (0) 1525 290855	OLE WOLFF ELEKTRONIK Yliopistonkatu 26 (P.O.BOX 257) FI-40101 Jyväskylä Finland TEL: +358 14 338 3050 FAX: +358 14 338 3059	OLE WOLFF (ASIA) LTD. Unit B, 19/F., Bold Win Ind. Bldg., No. 16-18 Wah Sing St., Kwai Chung, N.T., H.K. TEL: +852 2424 3274 FAX: +852 2424 2219	OLE WOLFF LTD. 5 Floor, Block G, WenTao Industrial Park, YingRenShi, Bao'an District, Shenzhen City, Guangdong Province, PRC. TEL: +86 755 82612542 TEL: +86 755 26406156
---	---	--	---	--	--	---

	Date	12-Aug-2021	SPECIFICATION	OLE WOLFF
	Page	3 / 10		www.owolff.com
	CN	P/N: OWR-1026T-32C		Revision:00

6.RELIABILITY TEST REQUIREMENTS

Sensitivity difference at 1000Hz shall be within ± 3 dB from initial value after each test. The measurement shall be done after minimum 1hour and maximum 2 hours with conditioning of 24° C ~27° C.

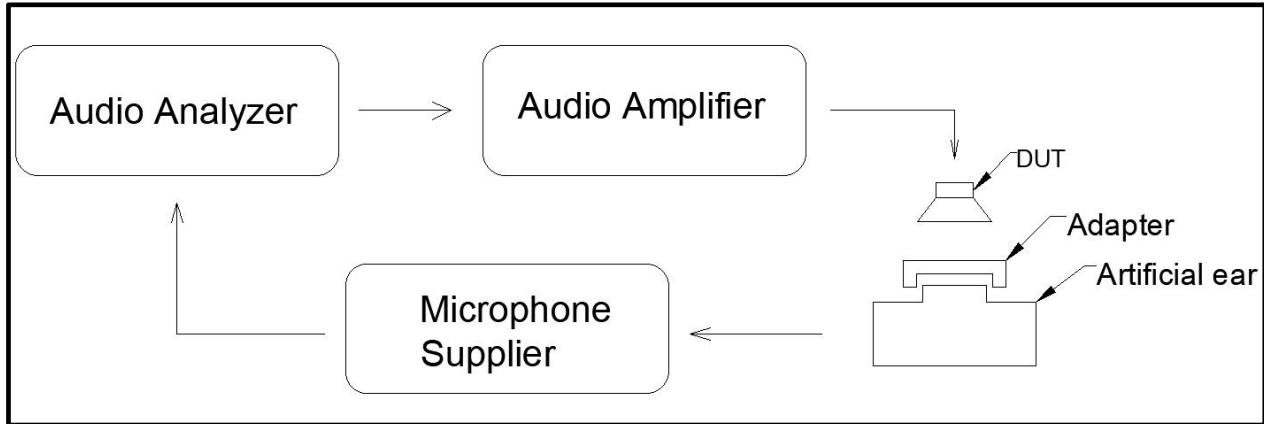
No.	ITEMS	TEST CONDITION	
1	HIGH TEMPERATURE TEST STORAGE	Temperature	60 \pm 3° C
		Duration	96hrs
2	LOW TEMPERATURE TEST STORAGE	Temperature	-25 \pm 3° C
		Duration	96hrs
3	HIGH TEMPERATURE HUMIDITY TEST	Temperature	40 \pm 3° C
		Humidity	90%--95%(RH)
		Duration	96hrs
4	DROP TEST	Height	With protector grill 0.75m to concrete
		Total times	10 times
5	TEMPERATURE CYCLE TEST	Temperature	-25 \pm 3° C \leftrightarrow 60 \pm 3° C
		Duration	2hours, 5mins, 2hours
		Cycles	5 cycles
6	SHORT TERM MAX INPUT TEST	Test signal and Temperature	Pink noise,20Hz-20KHz,Crest factor of2(6dB voltage) /25° C
		Test input power	TBD
		Cycles	1sec On, 1min Off, 60cycles
7	LONG TERM MAX INPUT TEST	Test signal and Temperature	Pink noise,20Hz-20KHz,Crest factor of2(6dB voltage)/25° C
		Test input power	TBD
		Cycles	1min On/ 2min Off, 10 cycles
8	RATED POWER TEST	Test signal and Temperature	Pink Noise,20Hz-20KHz,Crest factor of2(6dB voltage) / 25° C
		Test input power	2mW/0.253Vrms
		Duration	96hrs

OLE WOLFF ELEKTRONIK A/S Roedengvej 25 4180 Soroe Denmark TEL: +45 57833830 FAX: +45 57820019	OLE WOLFF ELECTRONICS INC. 1525 McCarthy Blvd, Suite 1093 Milpitas, Ca 95035 USA TEL: +1 408 888 8413	OLEWOLFF ELEKTRONIK GmbH Schulstrasse 15A. DE-25451 Quickborn. Germany TEL: +49 (0) 4106 765900 FAX: +49 (0) 4106 627297	OLEWOLFF ELECTRONICS 3 Bedford Street, Woburn, Bedfordshire MK17 9QB, ENGLAND TEL: +44 (0) 1525 290755 FAX: +44 (0) 1525 290855	OLE WOLFF ELEKTRONIK Yliopistonkatu 26 (P.O.BOX 257) FI-40101 Jyväskylä Finland TEL: +358 14 338 3050 FAX: +358 14 338 3059	OLE WOLFF (ASIA) LTD. Unit B, 19/F, Bold Win Ind. Bldg., No. 16-18 Wah Sing St., Kwai Chung, N.T., H.K. TEL: +852 2424 3274 FAX: +852 2424 2219	OLE WOLFF LTD. 5 Floor, Block G, WenTao Industrial Park, YingRenShi, Bao'an District, Shenzhen City, Guangdong Province, PRC. TEL: +86 755 82612542 TEL: +86 755 26406156
---	---	--	---	--	---	---

	Date	12-Aug-2021	SPECIFICATION	OLE WOLFF
	Page	4 / 10		www.owolff.com
	CN	P/N: OWR-1026T-32C		Revision:00

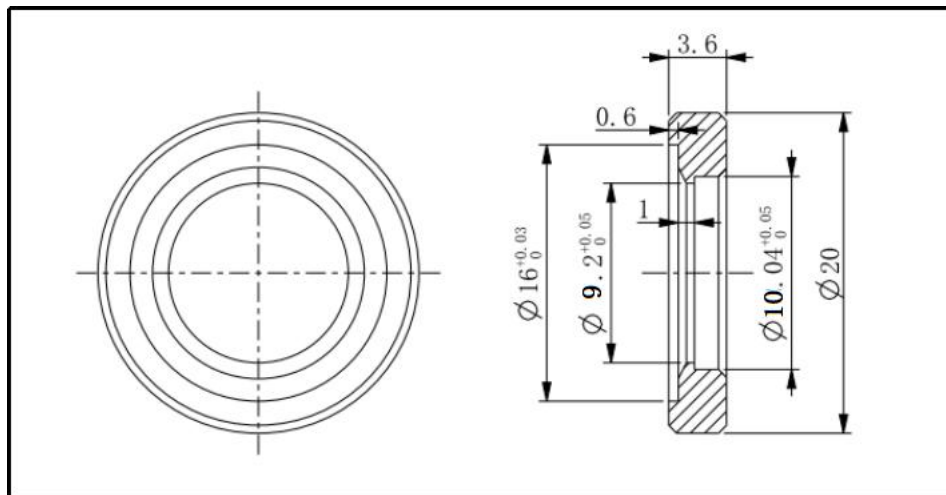
7. TEST SET UP AND TEST JIG FOR FREE FIELD

7.1 MEASUREMENT CIRCUIT FOR DYNAMIC SPEAKER (Fig.1)



NO	EQUIPMENT	REMARKS
1	DUT	Receiver
2	Adapter	As shown on Fig.4
3	Audio Analyzer	LISTEN SOUNDCHECK
4	Audio Amplifier	LEM DPA300
5	Artificial ear	GRAS 43AC-S5
6	Microphone supplier	GRAS 12AX

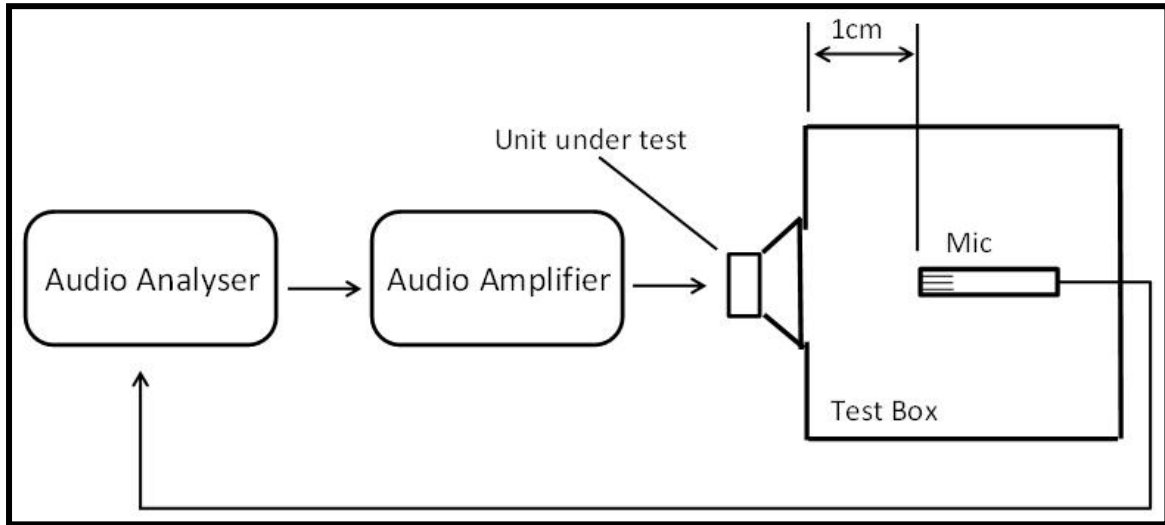
7.2 IEC 60318-4 TEST JIG (Fig.2)



<p>OLE WOLFF ELEKTRONIK A/S Roedengvej 25 4180 Soroe Denmark</p> <p>TEL: +45 57833830 FAX: +45 57820019</p>	<p>OLE WOLFF ELECTRONICS INC. 1525 McCarthy Blvd, Suite 1093 Milpitas, Ca 95035 USA</p> <p>TEL: +1 408 888 8413</p>	<p>OLEWOLFF ELEKTRONIK GmbH Schulstrasse 15A. DE-25451 Quickborn. Germany</p> <p>TEL: +49 (0) 4106 765900 FAX: +49 (0) 4106 627297</p>	<p>OLEWOLFF ELECTRONICS 3 Bedford Street, Woburn, Bedfordshire MK17 9QB, ENGLAND</p> <p>TEL: +44 (0) 1525 290755 FAX: +44 (0) 1525 290855</p>	<p>OLE WOLFF ELEKTRONIK Yliopistonkatu 26 (P.O.BOX 257) FI-40101 Jyväskylä Finland</p> <p>TEL: +358 14 338 3050 FAX: +358 14 338 3059</p>	<p>OLE WOLFF (ASIA) LTD. Unit B, 19/F., Bold Win Ind. Bldg., No. 16-18 Wah Sing St., Kwai Chung, N.T., H.K.</p> <p>TEL: +852 2424 3274 FAX: +852 2424 2219</p>	<p>OLE WOLFF LTD. 5 Floor, Block G, WenTao Industrial Park, YingRenShi, Bao'an District, Shenzhen City, Guangdong Province, PRC.</p> <p>TEL: +86 755 82612542 TEL: +86 755 26406156</p>
---	---	--	---	---	--	---

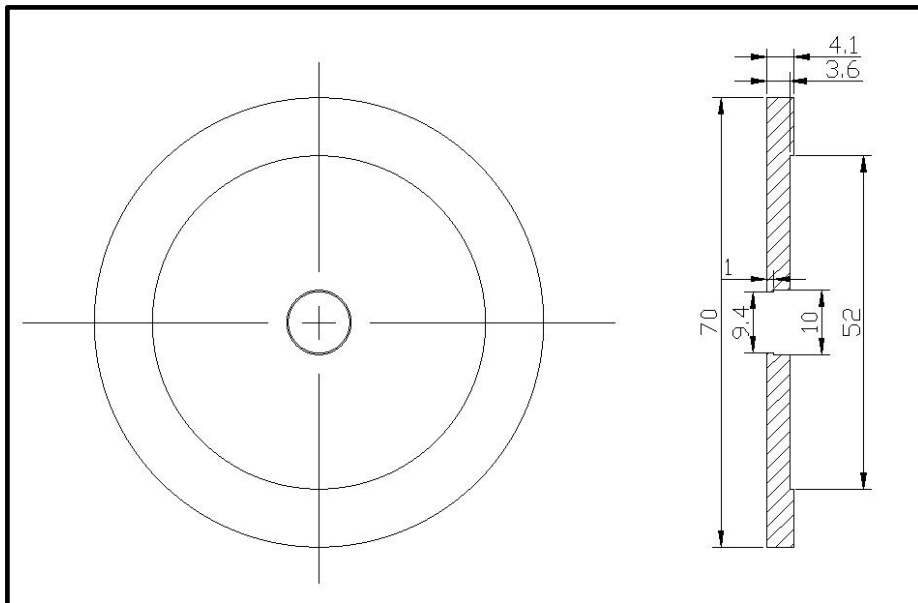
	Date	12-Aug-2021	SPECIFICATION	OLE WOLFF
	Page	5 / 10		www.owolff.com
	CN	P/N: OWR-1026T-32C		Revision:00

7.3 FREE FIELD MEASUREMENT CIRCUIT FOR DYNAMIC SPEAKER(Fig.3)



NO	EQUIPMENT	REMARKS
1	UNIT UNDER TEST	RECEIVER
2	TEST BOX	OLE WOLFF STANDARD BOX
3	AUDIO POWER AMPLIFIER	LEM DPA300
4	ANALYZER	LISTEN SOUNDCHECK

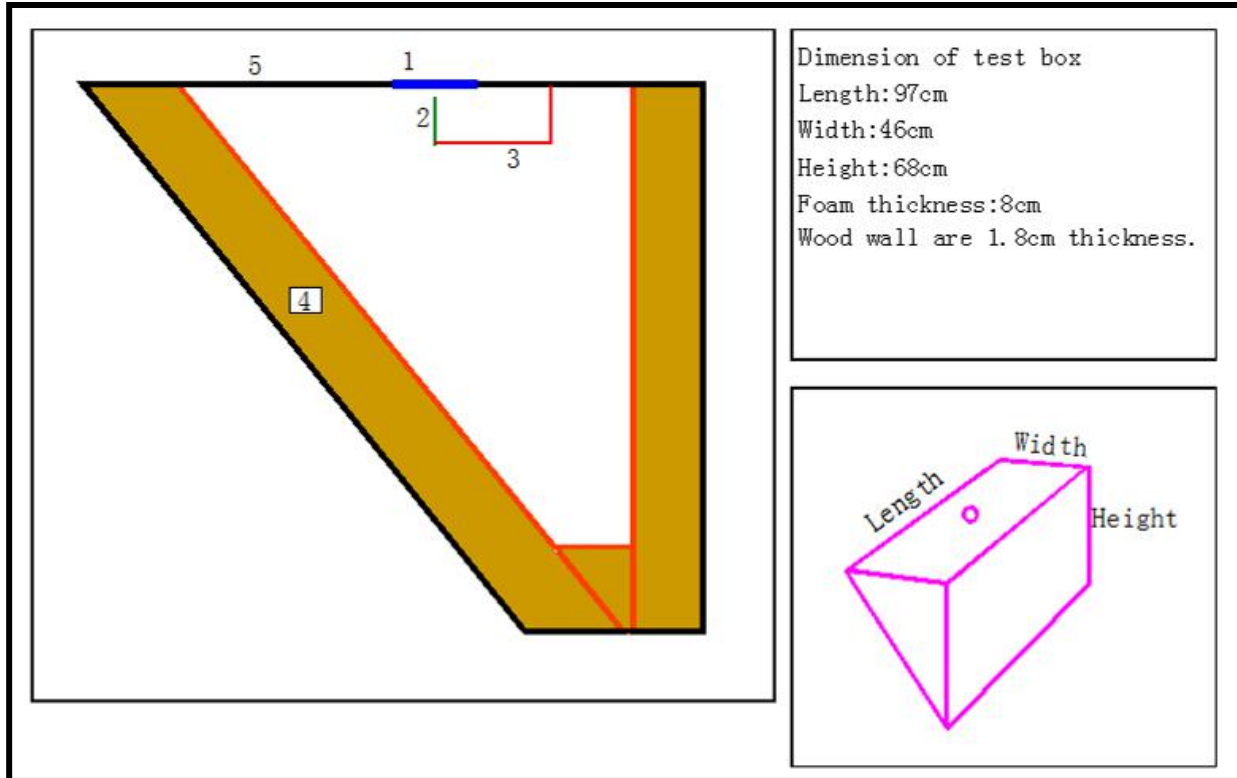
7.4 FREE FIELD TEST JIG(Fig.4)



OLE WOLFF ELEKTRONIK A/S Roedengvej 25 4180 Soroe Denmark TEL: +45 57833830 FAX: +45 57820019	OLE WOLFF ELECTRONICS INC. 1525 McCarthy Blvd, Suite 1093 Milpitas, Ca 95035 USA TEL: +1 408 888 8413	OLEWOLFF ELEKTRONIK GmbH Schulstrasse 15A. DE-25451 Quickborn, Germany TEL: +49 (0) 4106 765900 FAX: +49 (0) 4106 627297	OLEWOLFF ELECTRONICS 3 Bedford Street, Woburn, Bedfordshire MK17 9QB, ENGLAND TEL: +44 (0) 1525 290755 FAX: +44 (0) 1525 290855	OLE WOLFF ELEKTRONIK Yliopistonkatu 26 (P.O.BOX 257) FI-40101 Jyväskylä Finland TEL: +358 14 338 3050 FAX: +358 14 338 3059	OLE WOLFF (ASIA) LTD. Unit B, 19/F., Bold Win Ind. Bldg., No. 16-18 Wah Sing St., Kwai Chung, N.T., H.K. TEL: +852 2424 3274 FAX: +852 2424 2219	OLE WOLFF LTD. 5 Floor, Block G, WenTao Industrial Park, YingRenShi, Bao'an District, Shenzhen City, Guangdong Province, PRC. TEL: +86 755 82612542 TEL: +86 755 26406156
---	---	--	---	--	--	---

	Date	12-Aug-2021	SPECIFICATION	OLE WOLFF
	Page	6 / 10		www.owolff.com
	CN	P/N: OWR-1026T-32C		Revision:00

7.5 FREE FIELD TEST BOX: OWBOX (Fig.5)



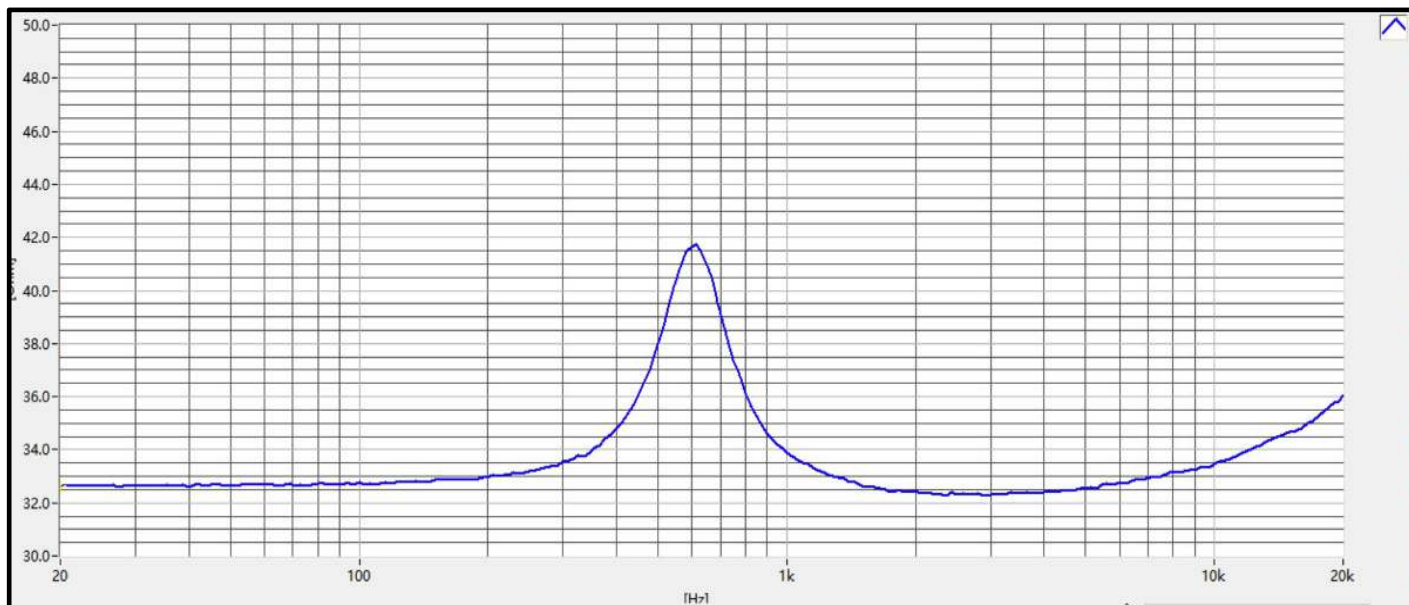
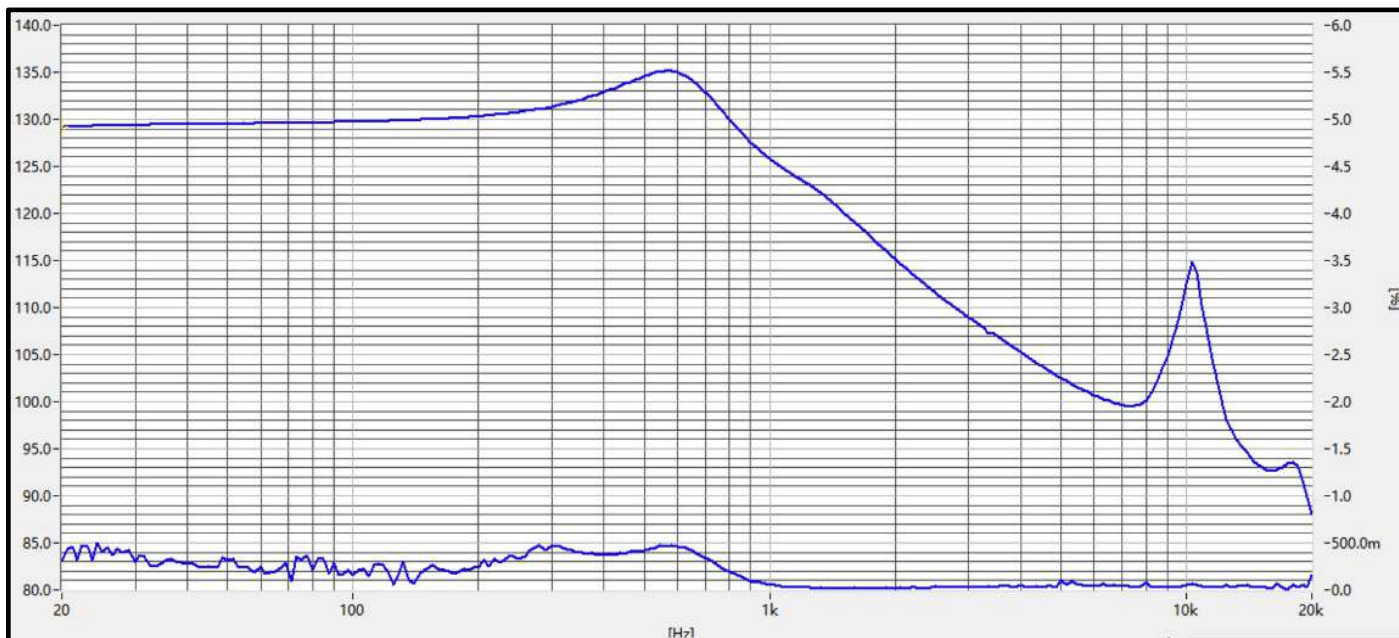
NO.	EQUIPMENT	REMARKS
1	TEST JIG	Fig.2
2	MICROPHONE	1/2 INCH MICROPHONE (46AF)
3	MICROPHONE HOLDER	
4	DAMPING MATERIAL	FOAM RUBBER
5	BOX	WOOD
6	TEST DISTANCE MEASURED FROM FRONT OF SPEAKER FRAME TO FRONT OF TEST MICROPHONE	1cm

OLE WOLFF ELEKTRONIK A/S Roedengvej 25 4180 Soroe Denmark TEL: +45 57833830 FAX: +45 57820019	OLE WOLFF ELECTRONICS INC. 1525 McCarthy Blvd, Suite 1093 Milpitas, Ca 95035 USA TEL: +1 408 888 8413	OLEWOLFF ELEKTRONIK GmbH Schulstrasse 15A. DE-25451 Quickborn. Germany TEL: +49 (0) 4106 765900 FAX: +49 (0) 4106 627297	OLEWOLFF ELECTRONICS 3 Bedford Street, Woburn, Bedfordshire MK17 9QB, ENGLAND TEL: +44 (0) 1525 290755 FAX: +44 (0) 1525 290855	OLE WOLFF ELEKTRONIK Yliopistonkatu 26 (P.O.BOX 257) FI-40101 Jyväskylä Finland TEL: +358 14 338 3050 FAX: +358 14 338 3059	OLE WOLFF (ASIA) LTD. Unit B, 19/F., Bold Win Ind. Bldg., No. 16-18 Wah Sing St., Kwai Chung, N.T., H.K. TEL: +852 2424 3274 FAX: +852 2424 2219	OLE WOLFF LTD. 5 Floor, Block G, WenTao Industrial Park, YingRenShi, Bao'an District, Shenzhen City, Guangdong Province, P.R.C. TEL: +86 755 82612542 TEL: +86 755 26406156
---	---	--	---	--	--	---

	Date	12-Aug-2021	SPECIFICATION	OLE WOLFF
	Page	7 / 10		www.owolff.com
	CN	P/N: OWR-1026T-32C		Revision:00

8.STANDARD FREQUENCY RESPONSE CURVE & STANDARD THD

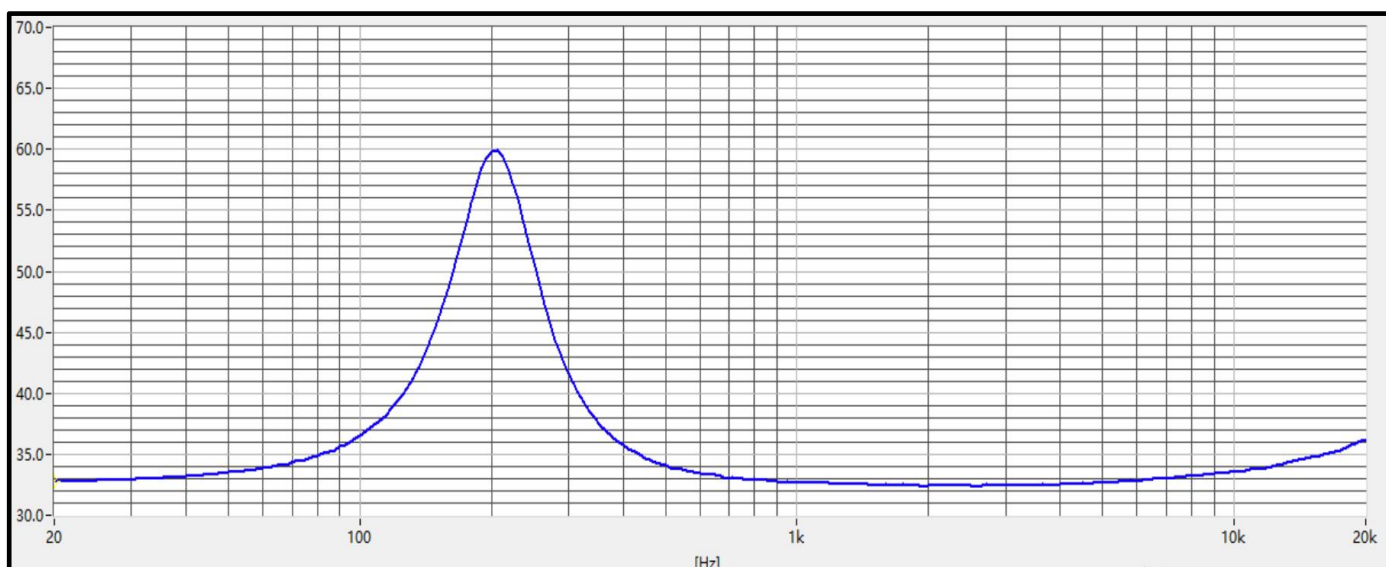
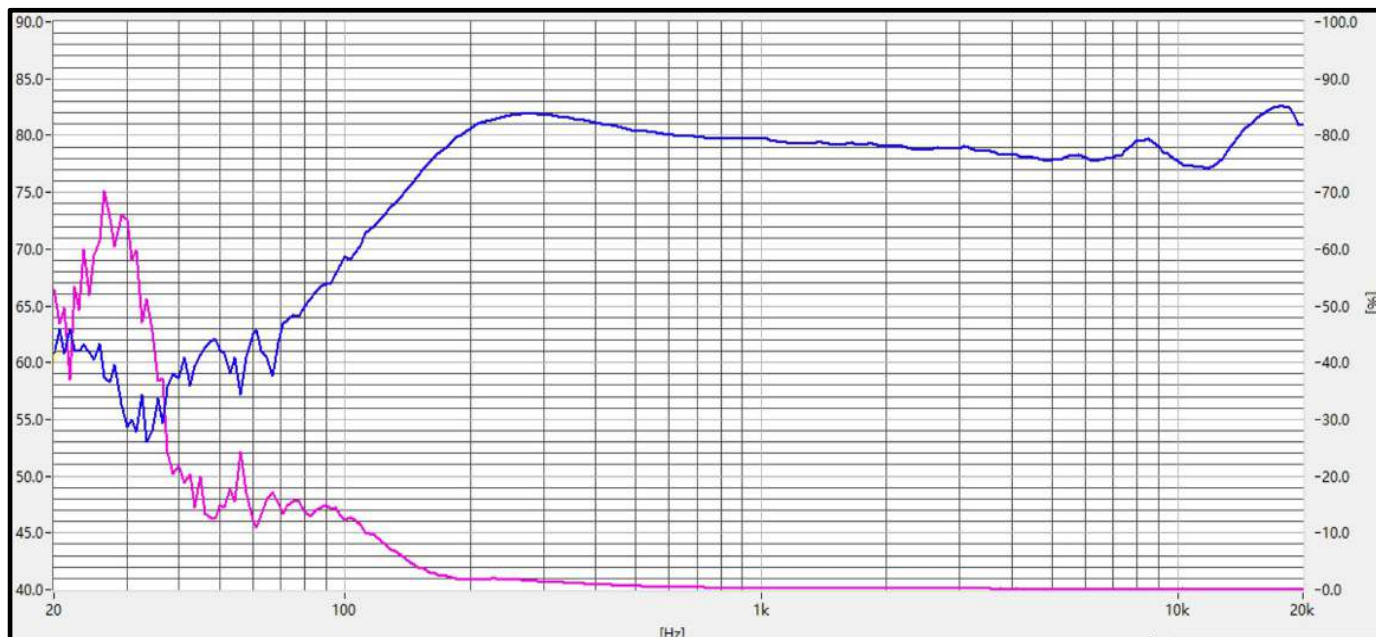
8.1 Input 0.179V 1/6oct on IEC 60318-4 coupler. Soundcheck stimulus step size 8 min cycles and 5ms min duration.The following tolerances are offset values. Limit is absolute value based on the golden sample offset.(Fig.6).



OLE WOLFF ELEKTRONIK A/S Roedengvej 25 4180 Soroe Denmark TEL: +45 57833830 FAX: +45 57820019	OLE WOLFF ELECTRONICS INC. 1525 McCarthy Blvd, Suite 1093 Milpitas, Ca 95035 USA TEL: +1 408 888 8413	OLEWOLFF ELEKTRONIK GmbH Schulstrasse 15A. DE-25451 Quickborn, Germany TEL: +49 (0) 4106 765900 FAX: +49 (0) 4106 627297	OLEWOLFF ELECTRONICS 3 Bedford Street, Woburn, Bedfordshire MK17 9QB, ENGLAND TEL: +44 (0) 1525 290755 FAX: +44 (0) 1525 290855	OLE WOLFF ELEKTRONIK Yliopistonkatu 26 (P.O.BOX 257) FI-40101 Jyväskylä Finland TEL: +358 14 338 3050 FAX: +358 14 338 3059	OLE WOLFF (ASIA) LTD. Unit B, 19/F, Bold Win Ind. Bldg., No. 16-18 Wah Sing St., Kwai Chung, N.T., H.K. TEL: +852 2424 3274 FAX: +852 2424 2219	OLE WOLFF LTD. 5 Floor, Block G, WenTao Industrial Park, YingRenShi, Bao'an District, Shenzhen City, Guangdong Province, PRC. TEL: +86 755 82612542 TEL: +86 755 26406156
---	---	--	---	--	---	---

	Date	12-Aug-2021	SPECIFICATION	OLE WOLFF
	Page	8 / 10		www.owolff.com
	CN	P/N: OWR-1026T-32C		Revision:00

8.2 Test input 0.179V, 10mm 1/24oct in free filed(Fig.7).

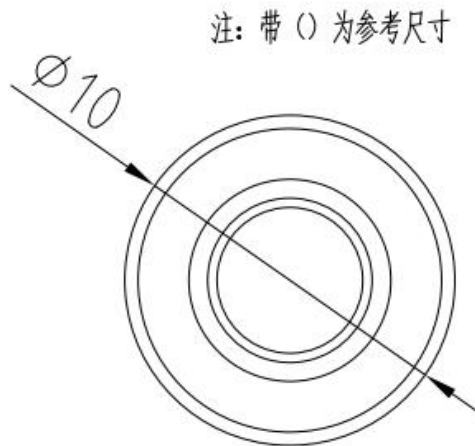
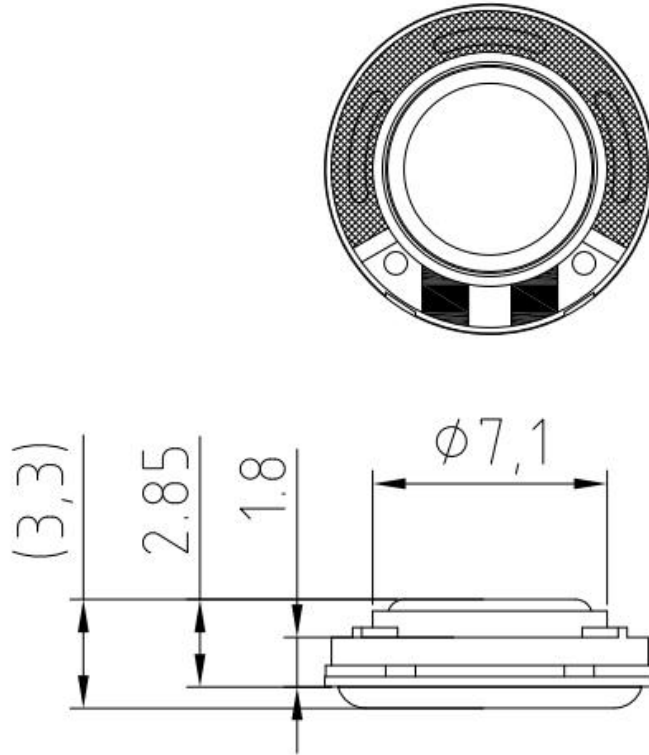


<p>OLE WOLFF ELEKTRONIK A/S Roedengvej 25 4180 Soroe Denmark</p> <p>TEL: +45 57833830 FAX: +45 57820019</p>	<p>OLE WOLFF ELECTRONICS INC. 1525 McCarthy Blvd, Suite 1093 Milpitas, Ca 95035 USA</p> <p>TEL: +1 408 888 8413</p>	<p>OLEWOLFF ELEKTRONIK GmbH Schulstrasse 15A. DE-25451 Quickborn. Germany</p> <p>TEL: +49 (0) 4106 765900 FAX: +49 (0) 4106 627297</p>	<p>OLEWOLFF ELECTRONICS 3 Bedford Street, Woburn, Bedfordshire MK17 9QB, ENGLAND</p> <p>TEL: +44 (0) 1525 290755 FAX: +44 (0) 1525 290855</p>	<p>OLE WOLFF ELEKTRONIK Yliopistonkatu 26 (P.O.BOX 257) FI-40101 Jyväskylä Finland</p> <p>TEL: +358 14 338 3050 FAX: +358 14 338 3059</p>	<p>OLE WOLFF (ASIA) LTD. Unit B, 19/F., Bold Win Ind. Bldg., No. 16-18 Wah Sing St., Kwai Chung, N.T., H.K.</p> <p>TEL: +852 2424 3274 FAX: +852 2424 2219</p>	<p>OLE WOLFF LTD. 5 Floor, Block G, WenTao Industrial Park, YingRenShi, Bao'an District, Shenzhen City, Guangdong Province, PRC.</p> <p>TEL: +86 755 82612542 TEL: +86 755 26406156</p>
---	---	--	---	---	--	---

	Date	12-Aug-2021	SPECIFICATION	OLE WOLFF
	Page	9 / 10		www.owolff.com
	CN	P/N: OWR-1026T-32C		Revision:00

9.DIMENSION (Fig.8)

Unit: mm



OLE WOLFF ELEKTRONIK A/S Roedengvej 25 4180 Soroe Denmark TEL: +45 57833830 FAX: +45 57820019	OLE WOLFF ELECTRONICS INC. 1525 McCarthy Blvd, Suite 1093 Milpitas, Ca 95035 USA TEL: +1 408 888 8413	OLEWOLFF ELEKTRONIK GmbH Schulstrasse 15A. DE-25451 Quickborn. Germany TEL: +49 (0) 4106 765900 FAX: +49 (0) 4106 627297	OLEWOLFF ELECTRONICS 3 Bedford Street, Woburn, Bedfordshire MK17 9QB, ENGLAND TEL: +44 (0) 1525 290755 FAX: +44 (0) 1525 290855	OLE WOLFF ELEKTRONIK Yliopistonkatu 26 (P.O.BOX 257) FI-40101 Jyväskylä Finland TEL: +358 14 338 3050 FAX: +358 14 338 3059	OLE WOLFF (ASIA) LTD. Unit B, 19/F, Bold Win Ind. Bldg., No. 16-18 Wah Sing St., Kwai Chung, N.T., H.K. TEL: +852 2424 3274 FAX: +852 2424 2219	OLE WOLFF LTD. 5 Floor, Block G, WenTao Industrial Park, YingRenShi, Bao'an District, Shenzhen City, Guangdong Province, P.R.C. TEL: +86 755 82612542 TEL: +86 755 26406156
---	---	--	---	--	---	---

	Date	12-Aug-2021	SPECIFICATION	OLE WOLFF
	Page	10 / 10		www.owolff.com
	CN	P/N: OWR-1026T-32C		Revision:00

10. Marking

11. Packing

OLE WOLFF ELEKTRONIK A/S Roedengvej 25 4180 Soroe Denmark TEL: +45 57833830 FAX: +45 57820019	OLE WOLFF ELECTRONICS INC. 1525 McCarthy Blvd, Suite 1093 Milpitas, Ca 95035 USA TEL: +1 408 888 8413	OLEWOLFF ELEKTRONIK GmbH Schulstrasse 15A. DE-25451 Quickborn. Germany TEL: +49 (0) 4106 765900 FAX: +49 (0) 4106 627297	OLEWOLFF ELECTRONICS 3 Bedford Street, Woburn, Bedfordshire MK17 9QB, ENGLAND TEL: +44 (0) 1525 290755 FAX: +44 (0) 1525 290855	OLE WOLFF ELEKTRONIK Yliopistonkatu 26 (P.O.BOX 257) FI-40101 Jyväskylä Finland TEL: +358 14 338 3050 FAX: +358 14 338 3059	OLE WOLFF (ASIA) LTD. Unit B, 19/F., Bold Win Ind. Bldg., No. 16-18 Wah Sing St., Kwai Chung, N.T., H.K. TEL: +852 2424 3274 FAX: +852 2424 2219	OLE WOLFF LTD. 5 Floor, Block G, WenTao Industrial Park, YingRenShi, Bao'an District, Shenzhen City, Guangdong Province, P.R.C. TEL: +86 755 82612542 TEL: +86 755 26406156
---	---	--	---	--	--	---