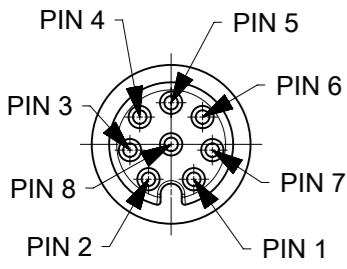
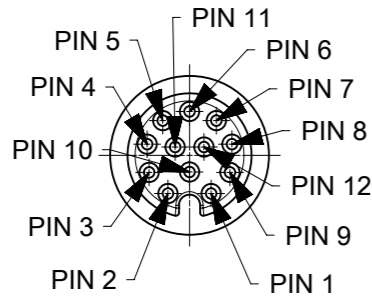


**8 POLE
M12 FEMALE**



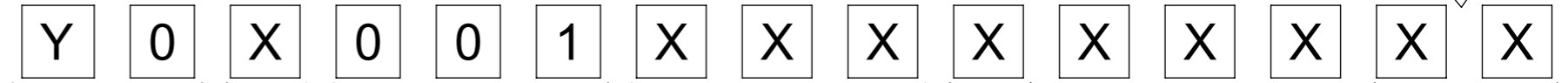
PIN	WIRE COLOR	PIN	WIRE COLOR
1	WH	5	GY
2	BN	6	PK
3	GN	7	BU
4	YE	8	RD

**12 POLE
M12 FEMALE**



PIN	WIRE COLOR	PIN	WIRE COLOR
1	WH	7	BU
2	BN	8	RD
3	GN	9	BK
4	YE	10	VT
5	GY	11	GY/PK
6	PK	12	RD/BU

PART No MATRIX



Y0= ULTRA LOCK 2.0
SINGLE ENDED

POLES:
8 = 8 POLES
C = 12 POLES

HEADER:
001= FEMALE RA

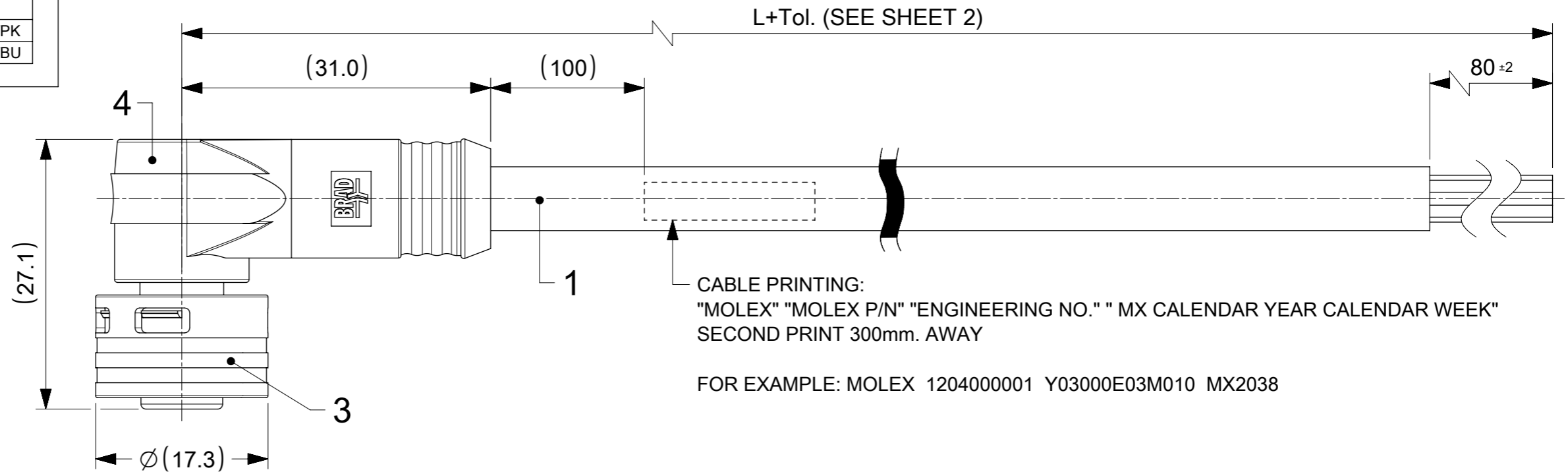
CABLE:
E02 - 8x0.25 PVC BLACK
B41 - 8x0.25 WSOR BLACK
H08 - 8x0.25 PUR-LS0H BLACK
H45 - 12x0.14 PUR BLACK

UNIT:
M = METER
F = FEET
C = CENTIMETER
T = 10M

LENGTH:
EXAMPLE:
010 = 1 m
050 = 5 m
100 = 10 m

OPTIONS

OVERMOLD:
BLANK = STANDARD BRAD:
-YELLOW IN THE USA
-BLACK IN EUROPE
A = GREY
E = RED
G = BLACK
Y = YELLOW
H = STD. COLOUR WITH TWO
I/D-TAG CARRIERS

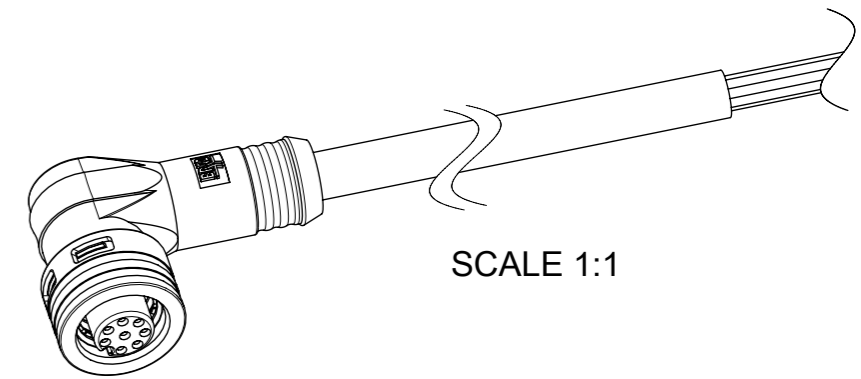


CABLE PRINTING:
"MOLEX" "MOLEX P/N" "ENGINEERING NO." " MX CALENDAR YEAR CALENDAR WEEK"
SECOND PRINT 300mm. AWAY

FOR EXAMPLE: MOLEX 1204000001 Y03000E03M010 MX2038

NOTES:

- PARTS ACC. TO PRODUCT SPECIFICATION
1204000001 PS P10 AND IN STYLE OF IEC-61076-2-010
- BOM & PART LIST - SEE SHEET 2
- RATED VOLTAGE :
8, 12 CONTACTS: 30V AC OR DC
RATED CURRENT:
8 CONTACTS: 2A
12 CONTACTS: 1.5A,
DERATING HAS TO BE CONSIDERED
OVERVOLTAGE CATEGORY: 3
POLLUTION DEGREE: 3, ONLY IN MATED AND LOCKED CONDITION
- PROTECTION CLASS: IP 67, ONLY IN MATED AND LOCKED CONDITION
- TEMPERATURE RANGE:
TEMPERATURE PLUG/SOCKET: -40 °C TO +85 °C
TEMPERATURE CABLE: SEE CABLE LIST
- MECHANICAL OPERATIONS: 100 CYCLES
- MATES WITH ULTRA-LOCK M12 MALE RECEPTACLES
- PACKAGING: THE CORDSETS ARE SINGLE PACKED IN PLASTIC BAGS AND DELIVERED IN CARTON BOXES
- UL CSA FILE REGISTRATION PENDING



FUNCTIONAL SYMBOLS	THIS DRAWING CONTAINS INFORMATION THAT IS PROPRIETARY TO MOLEX ELECTRONIC TECHNOLOGIES, LLC AND SHOULD NOT BE USED WITHOUT WRITTEN PERMISSION		CURRENT REV DESC: NOTES AND CABLE LIST UPDATED									
	$\nabla_A = 0$ $\nabla_E = 0$ $\nabla_V = 0$	DIMENSION UNITS mm	SCALE 2:1	GENERAL TOLERANCES (UNLESS SPECIFIED) ANGULAR TOL ± 1.0° 4 PLACES ± 3 PLACES ± 2 PLACES ± 0.05 1 PLACE ± 0.3 0 PLACES ± 0.5		EC NO: 736602 DRWN: RSCHIEBER 2023/01/24 CHK'D: RSILLER 2023/01/31 APPR: RSILLER 2023/01/31						
DIVISIONAL SYMBOLS	DRAFT WHERE APPLICABLE MUST REMAIN WITHIN DIMENSIONS		THIRD ANGLE PROJECTION 	DRAWING A3-SIZE	SERIES 120400	MATERIAL NUMBER SEE SHEET 2	CUSTOMER GENERAL MARKET	DOCUMENT NUMBER 1204000300	DOC TYPE PSD	DOC PART 000	REVISION B3	SHEET NUMBER 1 OF 2

PART LIST		
MOLEX NO.	ENGINEERING NO.	LENGHT (MM)
1204000300	Y08001E02M010	1000
1204000301	Y08001E02M020	2000
1204000302	Y08001E02M050	5000
1204000303	Y08001E02M100	10000
1204000304	Y08001B41M010	1000
1204000305	Y08001B41M020	2000
1204000306	Y08001B41M050	5000
1204000307	Y08001B41M100	10000
1204000308	Y08001H08M010	1000
1204000309	Y08001H08M020	2000
1204000310	Y08001H08M050	5000
1204000311	Y08001H08M100	10000
1204000312	Y0C001H45M010	1000
1204000313	Y0C001H45M020	2000
1204000314	Y0C001H45M050	5000
1204000315	Y0C001H45M100	10000

MOLEX NO.	ENGINEERING NO.	LENGHT (MM)

MOLEX NO.	ENGINEERING NO.	LENGHT (MM)

CABLE LIST

8P	12P	CABLE TYPE	DESCRIPTION	MATERIAL	FINISH/COLOR	FIXED INSTALLATION *		FLEXIBLE INSTALLATION **		DRAG CHAIN	
						MIN.	MAX.	MIN.	MAX.	MIN.	MAX.
X		E02	8X0.25MM;UNSHLD;PVC;BK;OD=6.60MM	PVC	BLACK	-30°C	+80°C	-10°C	+80°C	NOT SUITABLE	
X		B41	CABLE 8X0.25 TPU BK D6.40 TPE UNSH DCS	PUR WSOR	BLACK	-40°C	+90°C	-25°C	+80°C	-5°C	+60°C
X		H08	CABLE PUR;BLK 8X0.25MM-LSOH;UL OD=6.10	PUR-LS0H	BLACK	-40°C	+80°C	-25°C	+80°C	+5°C	+60°C
	X	H45	CABLE12X0.14BLK PUR D6.0 UL/CSA	PUR	BLACK	-40°C	+80°C	-25°C	+80°C	+5°C	+60°C

* FIXED POSITION WITHOUT ACCIDENTAL CRUSHING OF VIBRATION.
 ** FREE MOTION WITHOUT PERIODIC RECURRENCE OR FORCED GUIDANCE.

CABLE LENGTH TOLERANCES	
LENGTH	TOLERANCE
0m-1m	+40 mm
>1m-5m	+60 mm
>5m-10m	+80 mm
>10m-20m	+140 mm
>20m-30m	+160 mm
>30m	+1% length

BILL OF MATERIAL

8P	12P	ITEM	QTY	DESCRIPTION	MATERIAL	FINISH/COLOR
X	X	1	-	CABLE	SEE CABLE LIST	SEE CABLE LIST
X		2	8	CONTACT 8 FE TUR AU CR SHORT 7/8POLE	BRASS	GOLD OVER NICKEL PLATED
	X		12	CONTACT 6 FE TUR NI CR WRA0.14-0.25		
X		3	1	PLG U12 8P AC FE PA UNSH	-	-
	X			PLG U12 12P AC FE PA UNSH		
X	X	4	1	OVERMOLD	TPC	SEE MATRIX
IF "H" IS IN MATRIX-END		-	2	I/D CARRIER DIA 4-7MMX30MM	PVC	TRANSPARENT

THIS DRAWING CONTAINS INFORMATION THAT IS PROPRIETARY TO MOLEX ELECTRONIC TECHNOLOGIES, LLC AND SHOULD NOT BE USED WITHOUT WRITTEN PERMISSION

FUNCTIONAL SYMBOLS E/A = 0 E/E = 0 E/P = 0	THIS DRAWING DIMENSION UNITS: mm	SCALE: 1:1	CURRENT REV DESC: NOTES AND CABLE LIST UPDATED	
	GENERAL TOLERANCES (UNLESS SPECIFIED)		EC NO: 736602	
DIVISIONAL SYMBOLS	ANGULAR TOL ± 1.0 °	4 PLACES ±	DRWN: RSCHIEBER	2023/01/24
	3 PLACES ±	2 PLACES ± 0.05	CHK'D: RSILLER	2023/01/31
	1 PLACE ± 0.3	0 PLACES ± 0.5	APPR: RSILLER	2023/01/31
	INITIAL REVISION:		DOCUMENT NUMBER	
	DRWN: RSCHIEBER		2020/09/16	1204000300
APPR: RSILLER		2020/09/29	PSD 000 B3	
DRAFT WHERE APPLICABLE MUST REMAIN WITHIN DIMENSIONS		THIRD ANGLE PROJECTION	DRAWING: A3-SIZE	SERIES: 120400
		MATERIAL NUMBER: SEE PART LIST		CUSTOMER: GENERAL MARKET
		SHEET NUMBER: 2 OF 2		