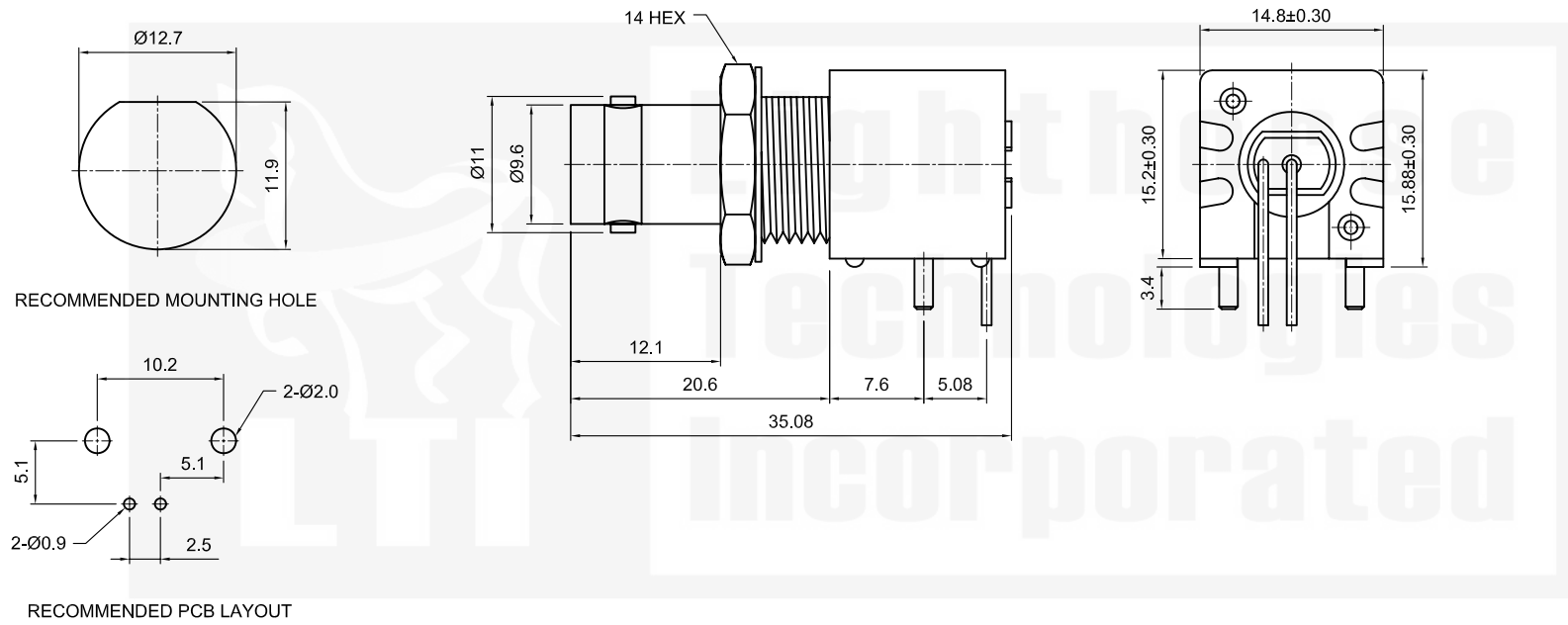



Tolerances 1-20=+/-0.2 20-30=+/-0.3 30-40=+/-0.4 40-50=+/-0.5 50-100=+/-0.75 100-300=+/-1.5 Angles=+/-1 Dimensions are in Millimeters	Revisions Description/Approved/Date	Approved M.H.	Date 09/13/03
		Checked M.H.	Date 09/13/04
		Drawn K.R.E.	Date 09/13/03
NOTES (plating thickness in micro-inches): 1. Per QQ-B-626 2. Per QQ-S-764 3. Per QQ-C-530 4. Per QQ-B-750 5. Per MIL-P-19468 6. Per ZZ-R-765 7. Per WW-T-799 8. Gold pl. 5 min. over nickel pl. 50 min. over copper strike 9. Nickel pl. 100 min. over copper strike 10. Per QQ-P-35 11. Gold pl. 5 min. over nickel pl. 50 min. over copper strike			



ITEM	MATERIAL	FINISH	 Lighthouse Technologies, Inc. 9511 Ridgehaven Court, Suite B San Diego, California 92123 Part Number: LTI-BLF54HNPB		
Connector Body	Diecast Zinc Alloy	Nickel, Note 9	Description BNC right angle 50 ohm commercial PCB jack, high profile (15.88 mm) Nickel plated zinc alloy body, black plastic housing, PP dielectric.		
Center Contact: Female	Phospor Bronze, Note 4	Gold, Note 11			
Insulation	Polyethylene, Housing PBT	None			
Ferrule	--	--			
Gasket	--	--			
Hex Nut	Brass, Note 1	Same as body	Scale 1:1	Drawing No. BLF54HNP	File Name BLF54HNP_
Lock Washer	Brass, Note 1	Same as body			