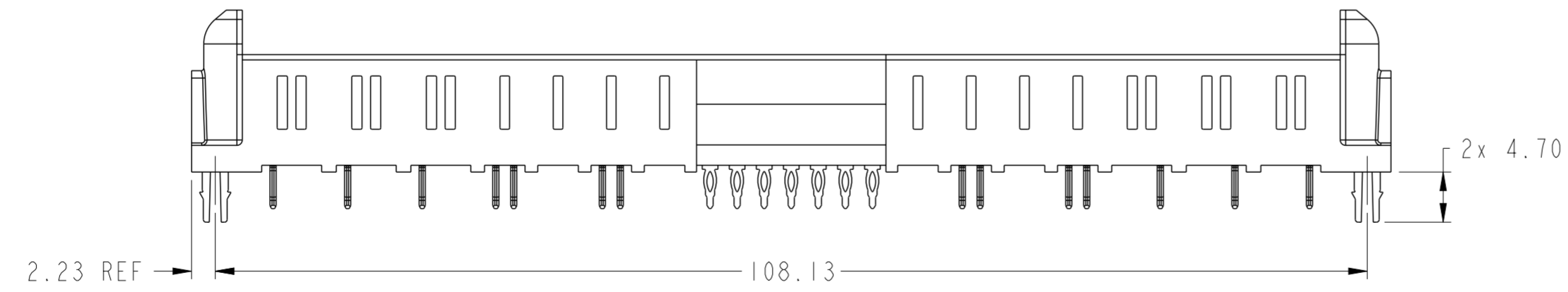
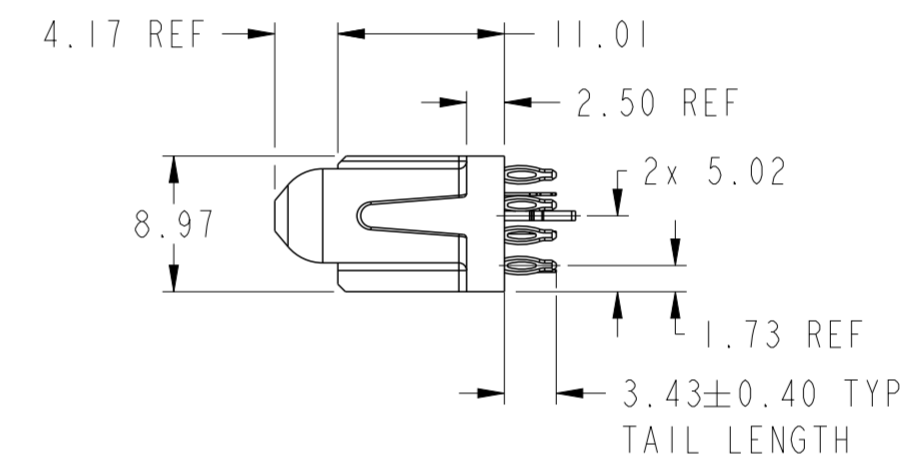
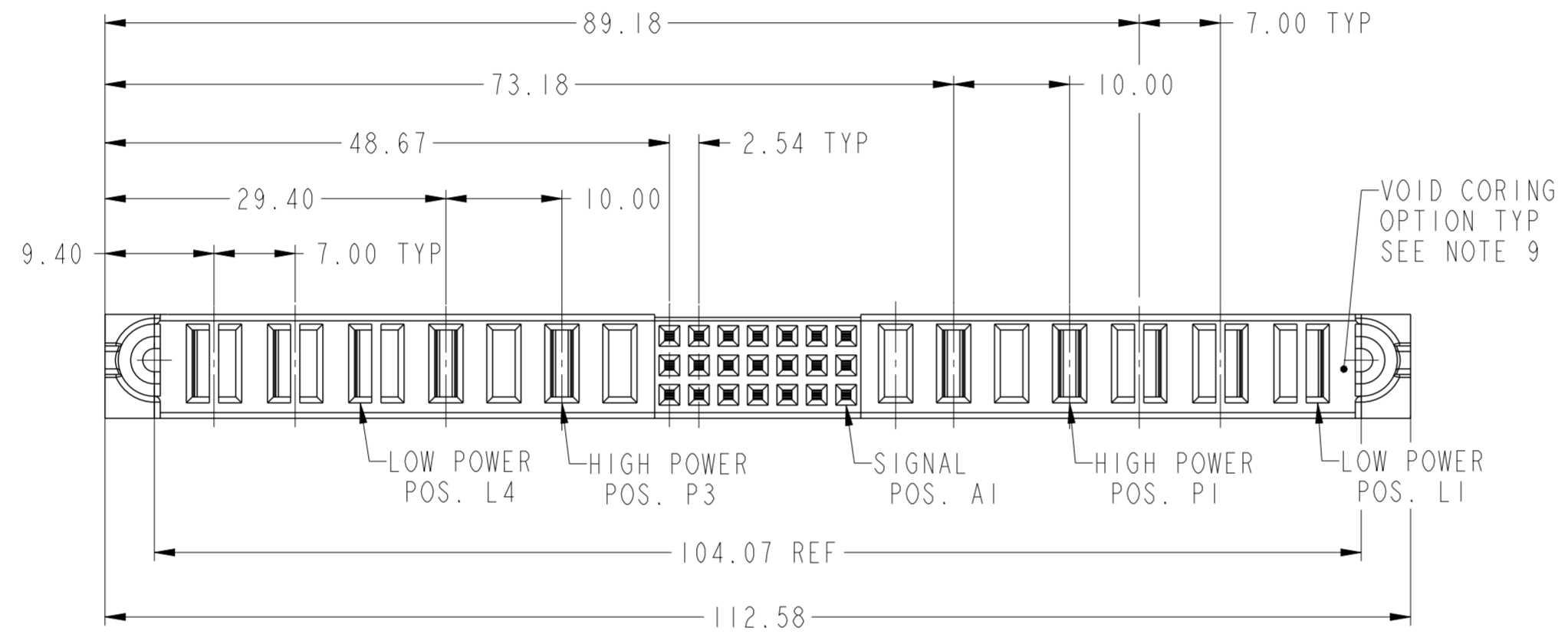
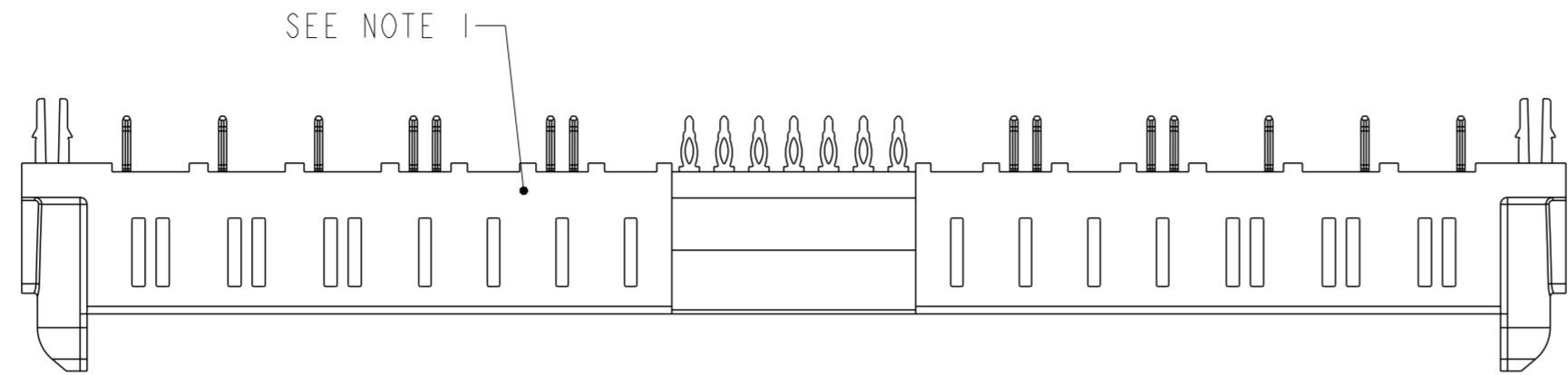


PRODUCT NUMBER
10127402-03HI410LF



Copyright FCI.
FCI

spec ref	-	dr	Kaka Zhang	2015/08/03	projection	mm	size	A2	scale	2:1
tolerance std	ASME Y14.5	eng	Kaka Zhang	2015/09/23		mm	ecn no	-	rel level	Released
TOLERANCES UNLESS OTHERWISE SPECIFIED		chr	Fancy Zhang	2015/09/23						
surface	ASME Y14.5	appr	Pei-Ming Zheng	2015/09/23	product family	PwrBlade ULTRA	rel level	Released	rev	A
linear	0.X ±0.5 0.XX ±0.25 0.XXX ±0.130			3LP+2HP+2IS+2HP+3LP, PRESS-FIT VERTICAL RECEPTACLE, PwrBlade ULTRA		cat. no.	10127402-03HI410	sheet 1 of 3		
angular	0° ±2°	www.fci.com		Product - Customer Drw						

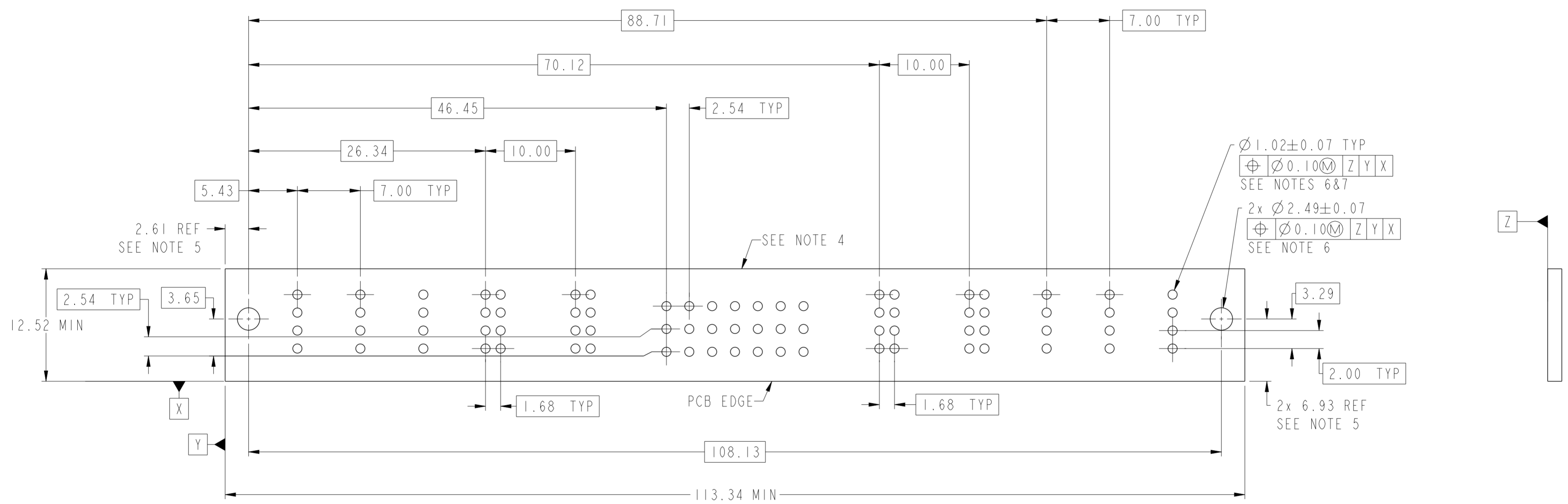
PDS: Rev :A

STATUS:Released

Printed: Sep 24, 2015

PRODUCT NO.	ROWS	LOW POWER			HIGH POWER			SIGNAL					HIGH POWER			LOW POWER			E1											
		E2	L6	X	L5	X	L4	X	P4	X	P3	X	7	6	5	4	3	2		1	X	P2	X	P1	X	L3	X	L2	X	L1
10127402-03HI410LF	C B A																													

CODE	DESCRIPTION
PL	MFBL HIGH POWER CONTACT
PS	STD HIGH POWER CONTACT
F	SIGNAL CONTACT
X	OMITTED
HD	HOLD DOWN



Copyright FCI.

spec ref	-	dr	Kaka Zhang	2015/08/03	projection	mm	size	A2	scale	2:1
tolerance std	ASME Y14.5	eng	Kaka Zhang	2015/09/23		product family	PwrBlade ULTRA	rel level	Released	ecn no
TOLERANCES UNLESS OTHERWISE SPECIFIED		chr	Fancy Zhang	2015/09/23						
surface	ASME Y14.5	appr	Pei-Ming Zheng	2015/09/23	www.fci.com	cat. no.	3LP+2HP+2IS+2HP+3LP, PRESS-FIT VERTICAL RECEPTACLE, PwrBlade ULTRA	rev	A	sheet 2 of 3
linear	0.X ±0.5 0.XX ±0.25 0.XXX ±0.130	angular	0° ±2°	Product - Customer Drw		10127402-03HI410		Printed: Sep 24, 2015		

PRODUCT NUMBER

10127402-03HI410LF

NOTES:

- ① "FCI", PART NUMBER AND DATE CODE TO BE MARKED ON THIS SURFACE. THE P/N CAN BE OMITTED IF THERE IS NOT ENOUGH SPACE ON THIS SURFACE.
- 2. MATERIALS:
HOUSING: GLASS FILLED WITH HIGH TEMP POLYAMIDE, UL94V-0.
POWER CONTACTS: COPPER ALLOY.
SIGNAL CONTACTS: COPPER ALLOY.
HOLD DOWN: COPPER ALLOY.
- 3. PLATING SPECIFICATION: FCI 10135186.
- ④ DENOTES CONNECTOR KEEP OUT ZONE.
- ⑤ DATUM AND BASIC DIMENSION ARE ESTABLISHED BY CUSTOMER.
- ⑥ ALL HOLE DIAMETERS ARE FINISHED HOLE SIZES.
- ⑦ 1.150±0.025mm DRILLED HOLE PLATED WITH 7.62µm MIN Sn OVER 25.4µm-76.2µm Cu PLATING TO ACHIEVE A 1.02±0.07mm FINISHED HOLE.
- 8. PRODUCT SPECIFICATION: FCI GS-12-1176.
APPLICATION SPECIFICATION: FCI GS-20-0389.
PRODUCT PACKAGE SPECIFICATION: FCI GS-14-2354.
- ⑨ THE VOID CORING BETWEEN POWER MODULES, SIGNAL MODULES AND END MODULES ARE OPTIONAL AND THE SHAPE MAY BE DIFFERENT TO OPTIMIZE THE MOLDING PROCESS. THE VOID CORING WILL NOT EFFECT THE PRODUCT FUNCTION.

Copyright FCI. FCI

spec ref	-	dr	Kaka Zhang	2015/08/03	projection	mm	size	A2	scale	2:1
tolerance std	-	eng	Kaka Zhang	2015/09/23		mm	ecn no	-	rel level	Released
ASME Y14.5	TOLERANCES UNLESS OTHERWISE SPECIFIED	chr	Fancy Zhang	2015/09/23						
surface	✓	appr	Pei-Ming Zheng	2015/09/23	product family	PwrBlade ULTRA	rel level	Released	rev	A
ASME Y14.5	linear	0.X	±0.5		title	3LP+2HP+2IS+2HP+3LP, PRESS-FIT VERTICAL RECEPTACLE, PwrBlade ULTRA	cat. no.	-	Product - Customer Drw	sheet 3 of 3
	0.XX	±0.25								
	0.XXX	±0.130								
	angular	0°	±2°	www.fci.com						

PDS: Rev :A

STATUS:Released

Printed: Sep 24, 2015