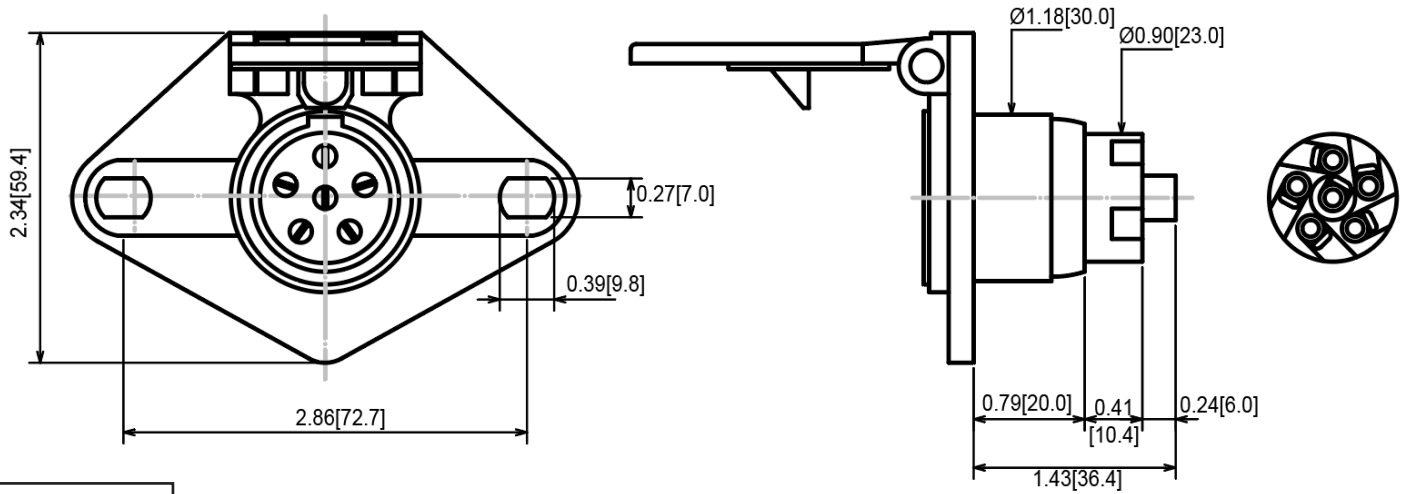


Mechanical Dimensions: Inches [mm]

Tolerances ± 0.012 [0.3] Unless Otherwise Specified



TOLERANCES:
 1mm~5mm: ± 0.1
 6mm~20mm: ± 0.2
 21mm~50mm: ± 0.3
 51mm~100mm: ± 0.5
 ANGLES: $\pm 1^\circ$

Wiring Color Codes

S.A.E WIRING CODES RECOMMENDED STANDARD

CIRCUITS	POLE WIRING COLOR CODE	
Ground Return	White	
Tail Lights	Brown	
Left Turn	Yellow	
Stop	Red	
Right Turn	Green	
Auxiliary Circuit	Blue	

Material Specifications

ITEM#	NAME	MATERIAL
1	SOCKET SHELL	ZINC
2	TERMINALS	BRASS
3	TERMINALS BASE	NYLON
4	HINGE PIN	IRON
5	COVER	ZINC

Rev	Date of issue	Revision Notes	Designed	Approved
A	10-08-2020	Initial Drawing	RC	OF