



### Main

Range of Product	Modicon TM3
Product Compatibility	Logic controller Motion controller
Product or Component Type	I/O distributed module
Product Specific Application	Bus coupler module

### Complementary

Communication Port Protocol	Ethernet IP/Modbus TCP
Connector type	RJ45 2 Ethernet daisy chain isolated USB device port Mini-B
Exchange mode	Half duplex, full duplex, autonegotiation
Transmission Rate	10/100 Mbit/s
Topology	Daisy chain
Port Ethernet	10/100BASE-T
Communication Network Type	Ethernet IP Modbus TCP IPv4 (internet protocol)
Communication Service	Ethernet/IP adapter Modbus TCP/IP server RSTP (Ring topology support) SNMP Web server DHCP client BOOTP Address conflict detection FTP server
Web services	Web server, Ethernet Web server, USB
Current consumption	0.8 A 24 V DC internal supply maximum 7 expansion modules
Local signalling	1 LED green/red PWR (System Status) 1 LED green/red MS (Module Status) 1 LED green/red NS (Network Status) 1 LED green/red I/O status
Fixing mode	By clipping locks rail) By screws mounting plate)
Width	1.06 in (27 mm)
Height	3.80 in (96.5 mm)
Depth	2.76 in (70 mm)
Net Weight	0.22 lb(US) (0.10 kg)

The information provided in this documentation contains general descriptions and/or technical characteristics of the performance of the products contained herein. This documentation is not intended as a substitute for and is not to be used for determining suitability or reliability of these products for specific user applications. It is the duty of any such user or integrator to perform the appropriate and complete risk analysis, evaluation and testing of the products with respect to the relevant specific application or use thereof. Neither Schneider Electric Industries SAS nor any of its affiliates or subsidiaries shall be responsible or liable for misuse of the information contained herein.

## Environment

Ambient Air Temperature for Storage	-13...158 °F (-25...70 °C)
Pollution degree	2
Ambient air temperature for operation	14...140 °F (-10...60 °C)
IP degree of protection	IP20 conforming to IEC/EN 61010-2-201
Relative Humidity	10...95 % non-condensing
Operating altitude	0...6561.68 ft (0...2000 m)
Storage altitude	0.00...9842.52 ft (0...3000 m)
Vibration resistance	3M4 35 x 15 mm symmetrical DIN rail

## Ordering and shipping details

Category	22533 - M2XX PLC & ACCESSORIES
Discount Schedule	MSX
GTIN	3606489703530
Nbr. of units in pkg.	1
Package weight(Lbs)	6.35 oz (180 g)
Returnability	Yes
Country of origin	ID

## Packing Units

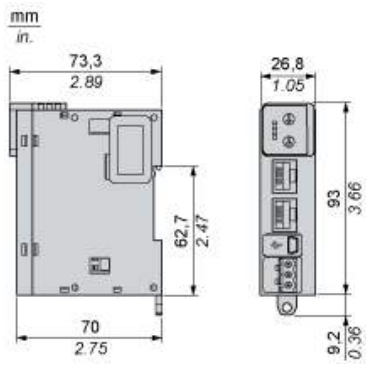
Unit Type of Package 1	PCE
Package 1 Height	2.83 in (7.2 cm)
Package 1 width	4.09 in (10.4 cm)
Package 1 Length	4.88 in (12.4 cm)
Unit Type of Package 2	S03
Number of Units in Package 2	18
Package 2 Weight	8.77 lb(US) (3.979 kg)
Package 2 Height	11.81 in (30 cm)
Package 2 width	11.81 in (30 cm)
Package 2 Length	15.75 in (40 cm)

## Offer Sustainability

Sustainable offer status	Green Premium product
California proposition 65	WARNING: This product can expose you to chemicals including: Lead and lead compounds, which is known to the State of California to cause cancer and birth defects or other reproductive harm. For more information go to <a href="http://www.P65Warnings.ca.gov">www.P65Warnings.ca.gov</a>
REACH Regulation	<a href="#">REACH Declaration</a>
EU RoHS Directive	Pro-active compliance (Product out of EU RoHS legal scope) <a href="#">EU RoHS Declaration</a>
Mercury free	Yes
RoHS exemption information	<a href="#">Yes</a>
China RoHS Regulation	<a href="#">China RoHS Declaration</a>
Environmental Disclosure	<a href="#">Product Environmental Profile</a>
Circularity Profile	<a href="#">End Of Life Information</a>
PVC free	Yes

Dimensions

Side and Front Views



## Spacing Requirements

