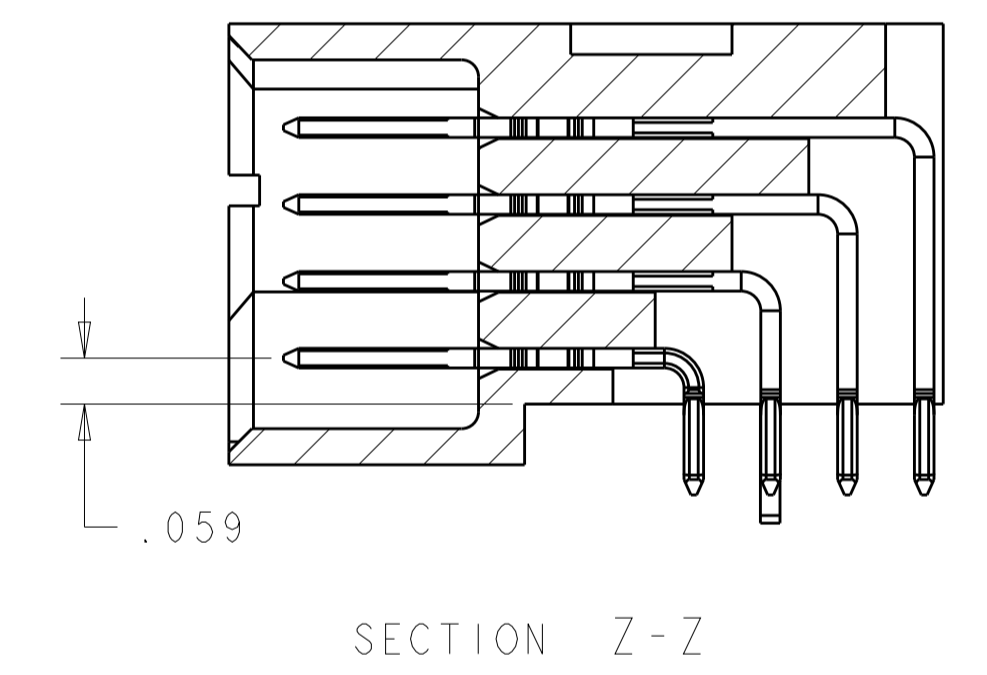
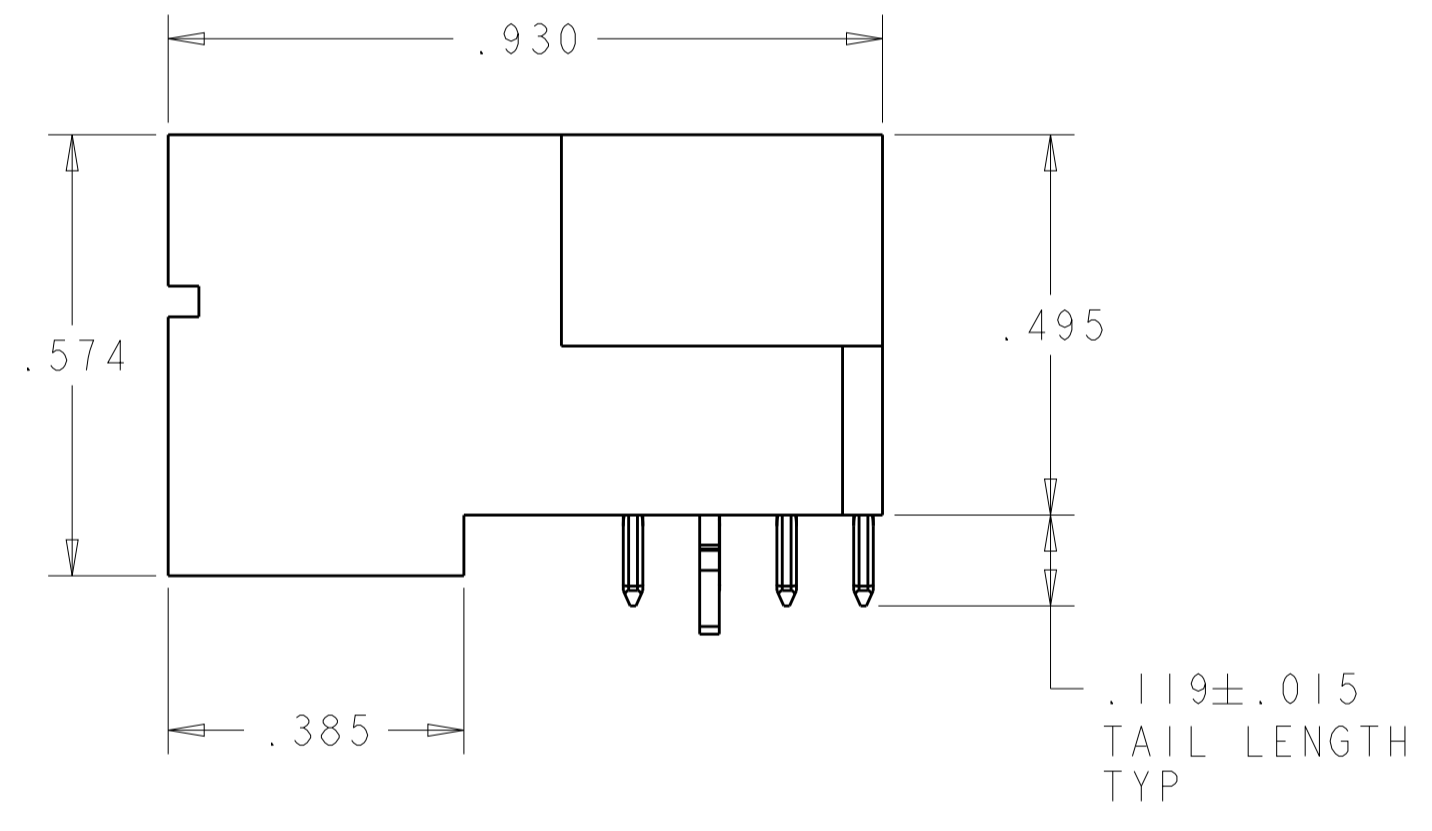
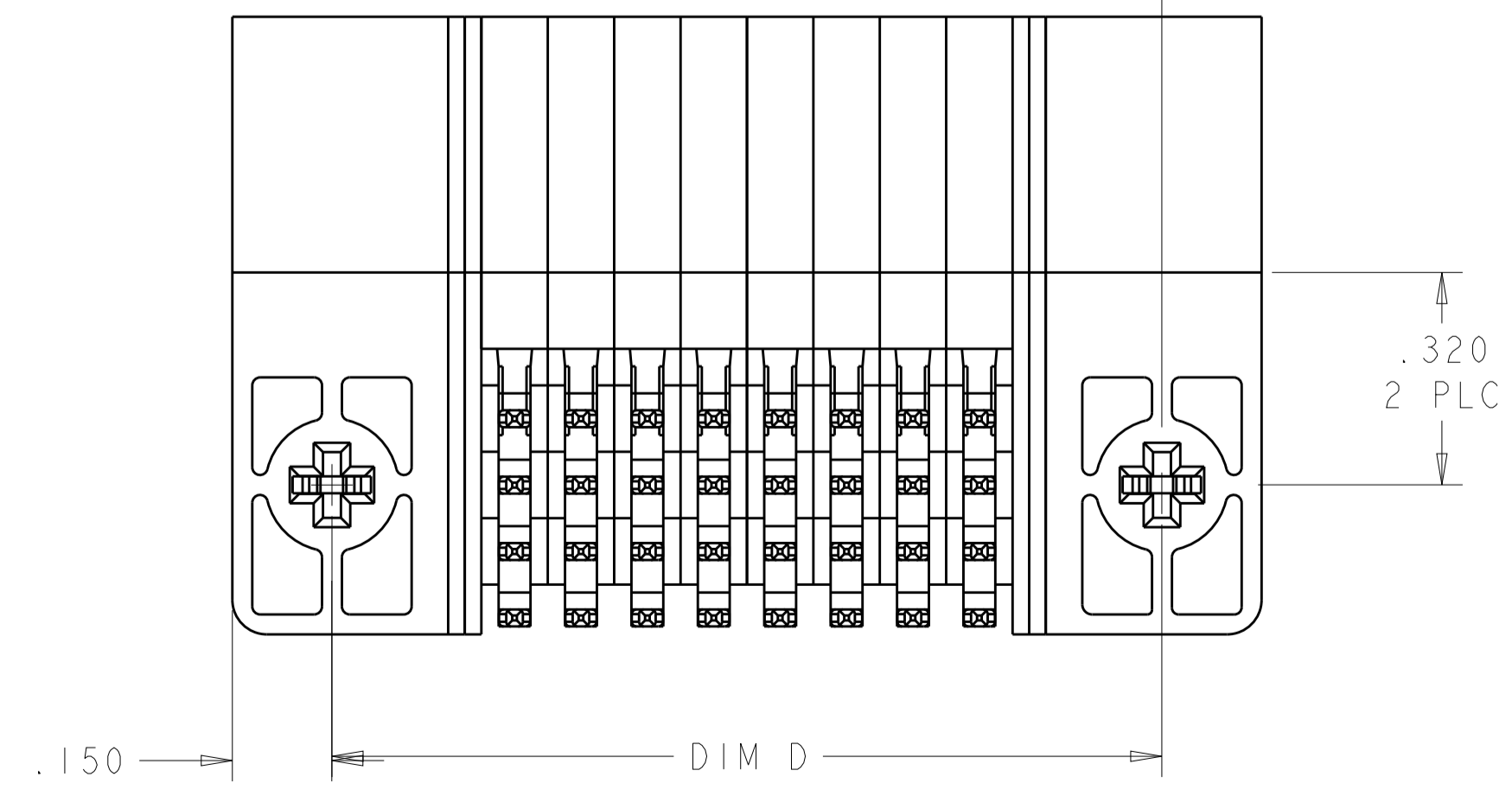
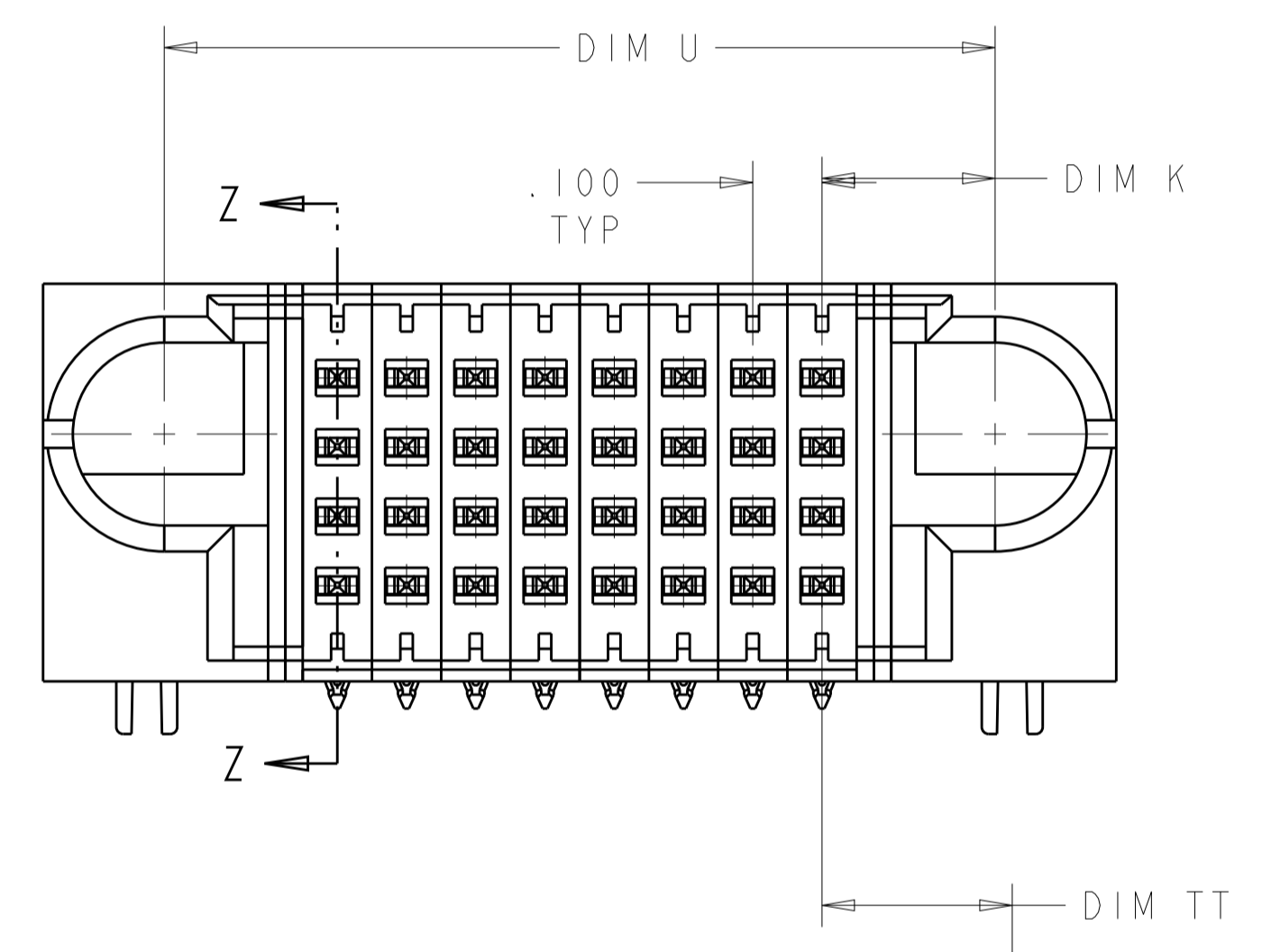
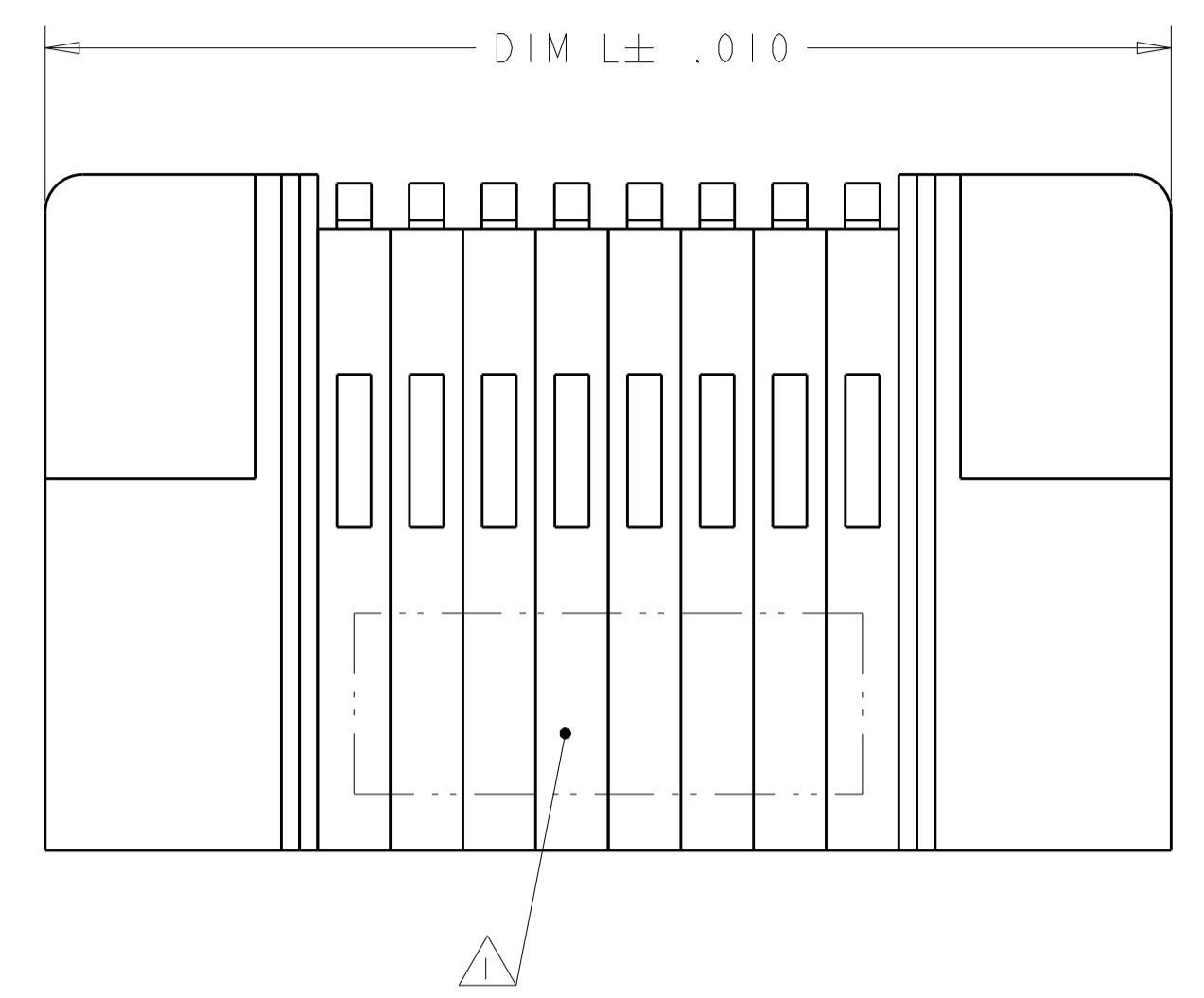


LOC	DIST	REVISIONS					
		P	LTN	DESCRIPTION	DATE	DMN	APVD
ES	00	A		INITIAL RELEASED	27NOV2006	A, S	S, Y



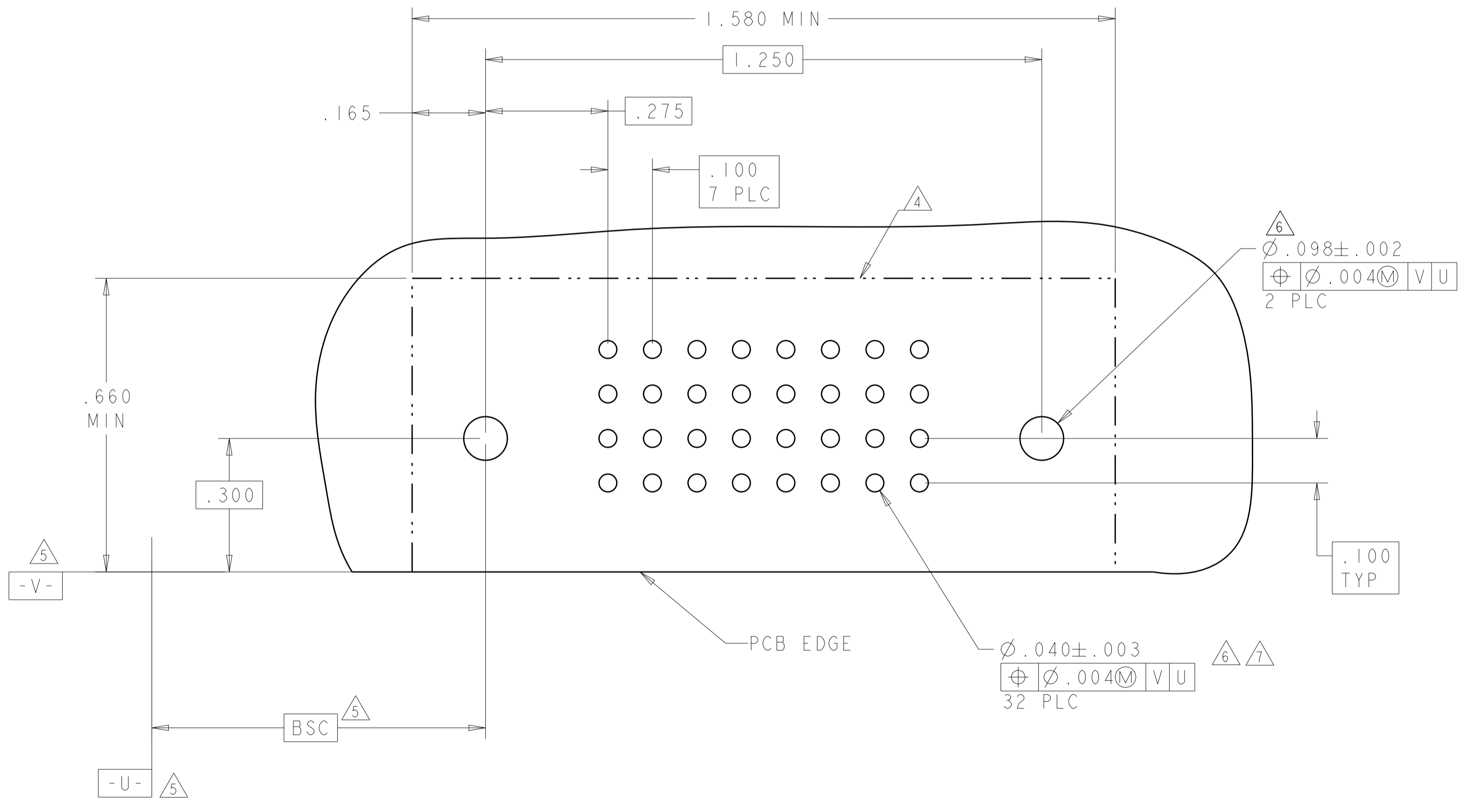
- 1 PART NUMBER, AND DATE CODE MARKED IN AREA SHOWN.
- 2 MATERIAL:  
 HOUSING - GLASS FILLED HIGH TEMP THERMO PLASTIC, UL94 V-0  
 SIGNAL CONTACT - COPPER ALLOY  
 POWER CONTACT - HIGH CONDUCTIVITY COPPER ALLOY
- 3 CONTACT PLATING: NOBLE METAL PLATING ON CONTACT FUNCTIONAL AREA OF POWER AND SIGNAL CONTACTS
- 4 MECHANICAL CONNECTOR KEEP OUT ZONE.
- 5 DATUM AND BASIC DIMENSIONS ESTABLISHED BY CUSTOMER.
- 6 PCB - ALL HOLE DIAMETERS ARE FINISHED HOLE SIZES.
- 7 PCB - .0453 ± .0010 DRILLED HOLES PLATED WITH .0003 MIN Sn OVER .001 TO .003 Cu PLATING TO ACHIEVE A .040 HOLE.

.275	1.200	1.250	.250	1.550	32S	6450531-1
DIM TT	DIM U	DIM D	DIM K	DIM L	DESCRIPTION	PART NUMBER

DIMENSIONS: INCHES 		TOLERANCES UNLESS OTHERWISE SPECIFIED: 0 PLC ± 1 PLC ±.01 2 PLC ±.005 3 PLC ±.002 4 PLC ±.002 ANGLES ±.020		DIMENSIONS: INCHES 		TOLERANCES UNLESS OTHERWISE SPECIFIED: 0 PLC ± 1 PLC ±.01 2 PLC ±.005 3 PLC ±.002 4 PLC ±.002 ANGLES ±.020	
MATERIAL:		FINISH:		DWG: ALEX SHOAL 27NOV2006 CHK: SUNY ZHAO 27NOV2006 APVD: STEVEN YAO 27NOV2006 NAME: SUNY ZHAO PRODUCT SPEC: 108-1973 APPLICATION SPEC: 114-13038 WEIGHT: - CUSTOMER DRAWING		Tyco Electronics incorporated Shanghai, P.R. China, 200233 tyco Electronics RIGHT ANGLE HEADER ASSEMBLY W/GUIDES, PRESS FIT MULTI-BEAM XL SIZE: A CAGE CODE: 00779 DRAWING NO: 6450531 SCALE: 4:1 SHEET: 1 OF 2 REV: A1	

LOC	DIST	REVISIONS			
P	LTN	DESCRIPTION	DATE	DMN	APVD
-	-	SEE SHEET 1	-	-	-

PART NUMBER	ROWS	SIGNAL							
		1	2	3	4	5	6	7	8
6450531-1	D	Z5	Z5	Z5	Z5	Z5	Z5	Z5	Z5
	C	Y5	Y5	Y5	Y5	Y5	Y5	Y5	Y5
	B	R5	R5	R5	R5	R5	R5	R5	R5
	A	O5	O5	O5	O5	O5	O5	O5	O5
32S		HD							HD



ROW	DESCRIPTION	CODE
D	SIGNAL CONTACT, STD	Z5
C	SIGNAL CONTACT, STD	Y5
B	SIGNAL CONTACT, STD	R5
A	SIGNAL CONTACT, STD	O5

<small>THIS DRAWING IS UNPUBLISHED. RELEASED FOR PUBLICATION 20. IT IS THE PROPERTY OF TYCO ELECTRONICS CORPORATION. IT IS SUBJECT TO CHANGE WITHOUT NOTICE AND WITHOUT OBLIGATION. SHOULD BE CONTACTED FOR THE LATEST REVISION.</small>		DWN: ALEX SHOAL 27NOV2006 CHK: SUNY ZHAO 27NOV2006 APVD: STEVEN YAO 27NOV2006	<b>tyco</b> Electronics Tyco Electronics Incorporated Shanghai, P.R.China. 200233
DIMENSIONS: INCHES 	TOLERANCES UNLESS OTHERWISE SPECIFIED: 0 PLC ± 1 PLC ±.01 2 PLC ±.01 3 PLC ±.005 4 PLC ±.0020 ANGLES ±.2°	NAME: SUNY ZHAO PRODUCT SPEC: 108-1973 APPLICATION SPEC: 114-13038 WEIGHT: - FINISH: -	NAME: RIGHT ANGLE HEADER ASSEMBLY W/GUIDES, PRESS FIT MULTI-BEAM XL SIZE: A1 CAGE CODE: 00779 DRAWING NO: 6450531 RESTRICTED TO: - SCALE: 4:1 SHEET 2 OF 2 REV: A1
MATERIAL: -		CUSTOMER DRAWING	