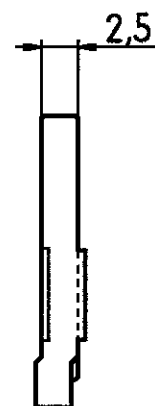
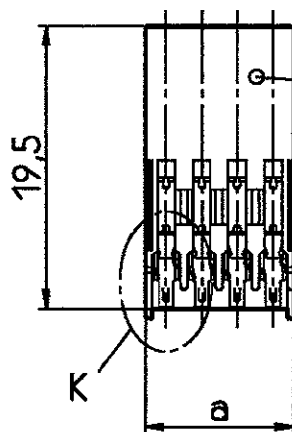
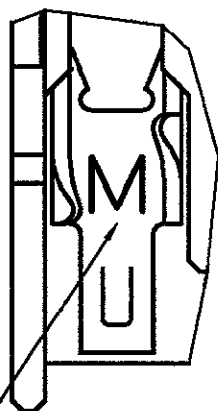


Einzelheit - K (10:1)  
Detail - K (10:1)

Kontaktspaltennummer

1 2 3 4  
Position no. of the contact



Kennbuchstabe:  
Zur Identifikation  
AWG Bereich

Letter  
to identify  
the AWG-range

V 2 3 5 5 2 - D \* \* 8 \* - P 5 \* \*

Sachnr.	Maß a	Kontaktspaltennummer 1)								
		1	2	3	4	5	6	7	8	9
-D**99-P599	10,4	0	0	0	0					
-D**8*-P501	10,4	+	+	+	+					
-D**8*-P502	10,4	0	+	0	+					
-D**8*-P503	10,4	+	0	+	0					
Part no.	Dimension a	Pos. no. of the contact 1)								

Sachnr.	Litze AWG/ Querschnitt	Massiv AWG/ Ø	Kenn- buchst.
-D**81-	26...28/ 0.14..0.09	26...30/ 0.4..0.25	S
-D**82-	22...24/ 0.34..0.22	22...24/ 0.63..0.5	M
Part no.	AWG/ cross-sect. Strand	AWG/ Ø Solid	Ident. letter

1) 0 = ohne Kontakt  
without contact  
+ = mit Kontakt belegt  
with contact



SCALE 2:1(10:1)

WEIGHT

LOC DIMENSIONS IN MM

MATERIAL

DATE 18.09.95  
NAME Vanbesien  
DEP. PD COM

PART NAME

Maßbild  
Dimensional Drawing

TOLERANCE UNLESS SPECIFIED OTHERWISE

PART NO.

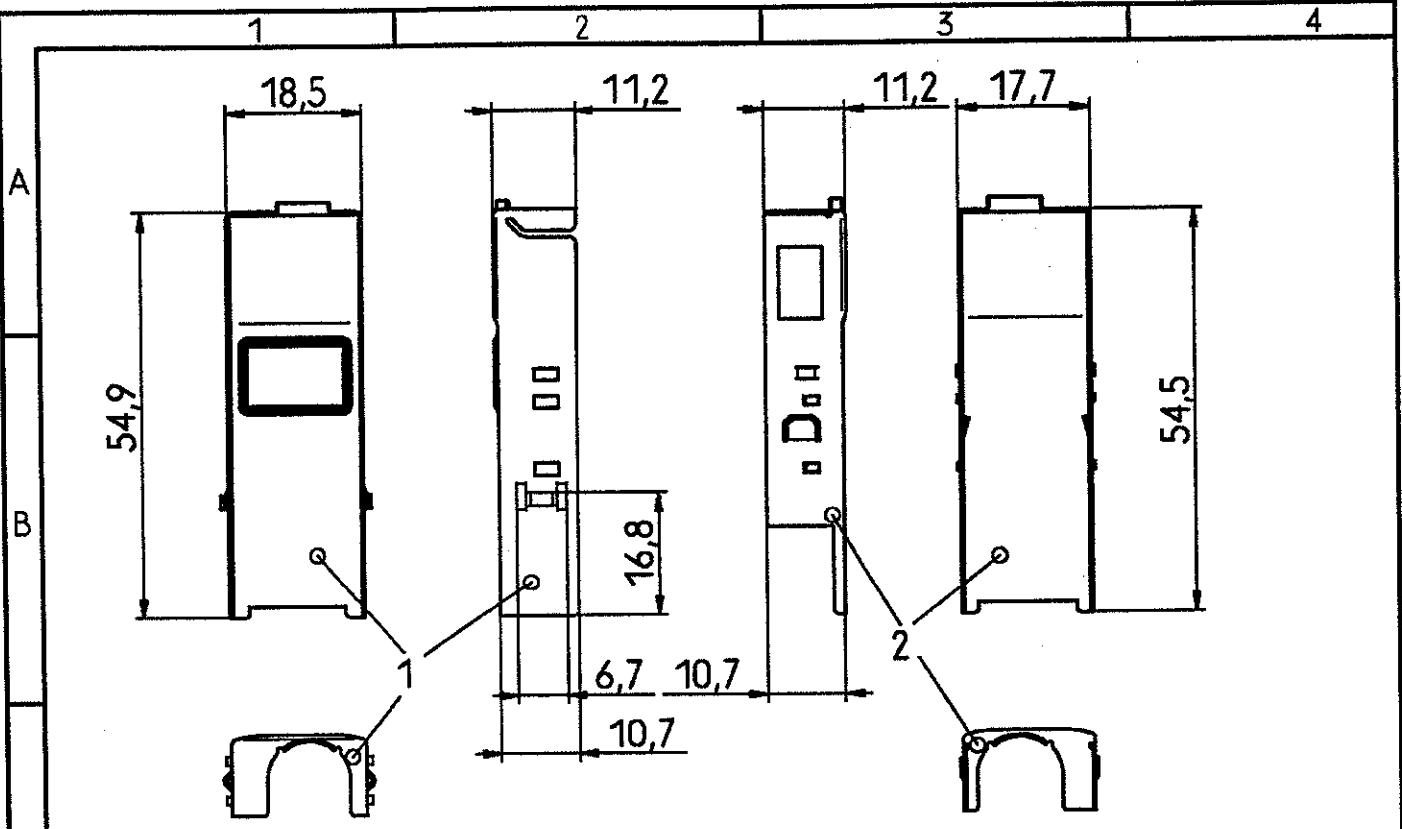
SHT. 1+

B4 ECO-13-001384 26JUN13 MH

V23552-D\*\*8\*-P5\*\*-\*-7427

REV. CHANGE ORDER DATE APP. Customer Drawing Nr. C 1-1393707-1

OF 4



Außenblechschale

Innenblechschale

Outer shell

Inner shell

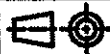
Schirmgehäuse für Kabelstecker 1/2 SU

Shielded housing for 1/2 SU free connectors

Active part numbers. Contact TE for other configuration availability

	Old Part Number	TE Part Number
OBSOLETE	V23552-D2581-P501	1483746-1
OBSOLETE	V23552-D2682-P501	1-1393707-1
OBSOLETE	V23552-D2882-P501	1-1393707-2
OBSOLETE	V23552-D3081-P501	1-1393707-4
OBSOLETE	V23552-D3181-P501	1-1393707-5
	V23552-D3182-P501	1-1393707-6
OBSOLETE	V23552-D8081-P501	1-1393707-9
OBSOLETE	V23552-D8082-P501	2-1393707-0

**TE** TE Connectivity



SCALE 1:1

WEIGHT

LOC  
GW

DIMENSIONS  
IN MM

MATERIAL

DATE 18.09.95

NAME Vanbesien

DEP. PD COM

PART NAME

Maßbild

Dimensional Drawing

TOLERANCE UNLESS  
SPECIFIED OTHERWISE

PART NO.

V23552-D\*\*\*8\*-P5\*\*\*-\*-7427

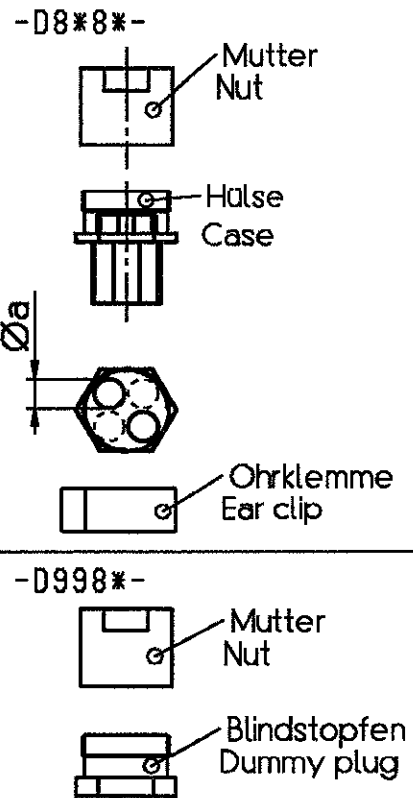
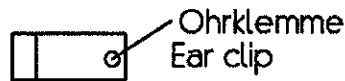
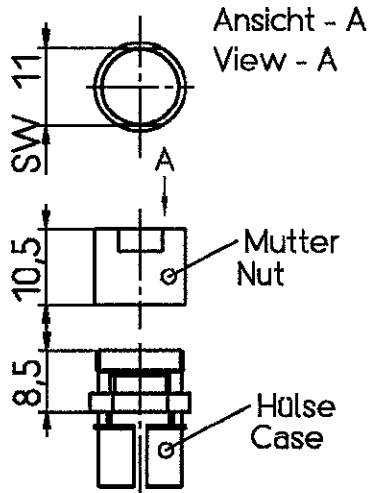
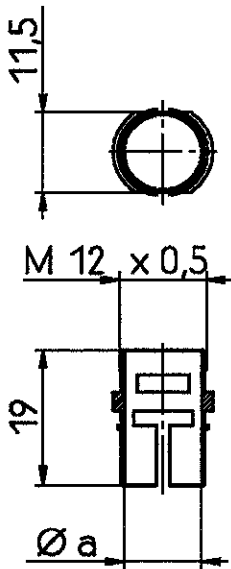
SHT. 2+

Customer Drawing Nr. C 1-1393707-1

OF 4

Sachnr. -D**8*-	Maß a
-D128*-	2,3
-D158*-	2,7
-D168*-	3,2
-D178*-	3,7
-D188*-	4,2
-D198*-	4,7
-D208*-	5,2
-D218*-	5,7
-D228*-	6,2
-D238*-	6,7
Part no.	a Dimension

Sachnr. -D**8*-	Maß a
-D248*-	7,2
-D258*-	7,7
-D268*-	8,2
-D278*-	8,7
-D288*-	9,2
-D298*-	9,7
-D308*-	10,2
-D318*-	10,7
-D808*-	4 x 4,2
-D818*-	2 x 4,8
-D998*-	0
Part no.	a Dimension



Kabelbefestigung für Kabelstecker 1/2 SU  
Cable attachment for 1/2 SU free connectors



Loc GW DIMENSIONS IN MM

SCALE 1:1

WEIGHT

MATERIAL

DATE 18.09.95

NAME Vanbesien

DEP. PD COM

PART NAME

Maßbild  
Dimensional Drawing

TOLERANCE UNLESS SPECIFIED OTHERWISE

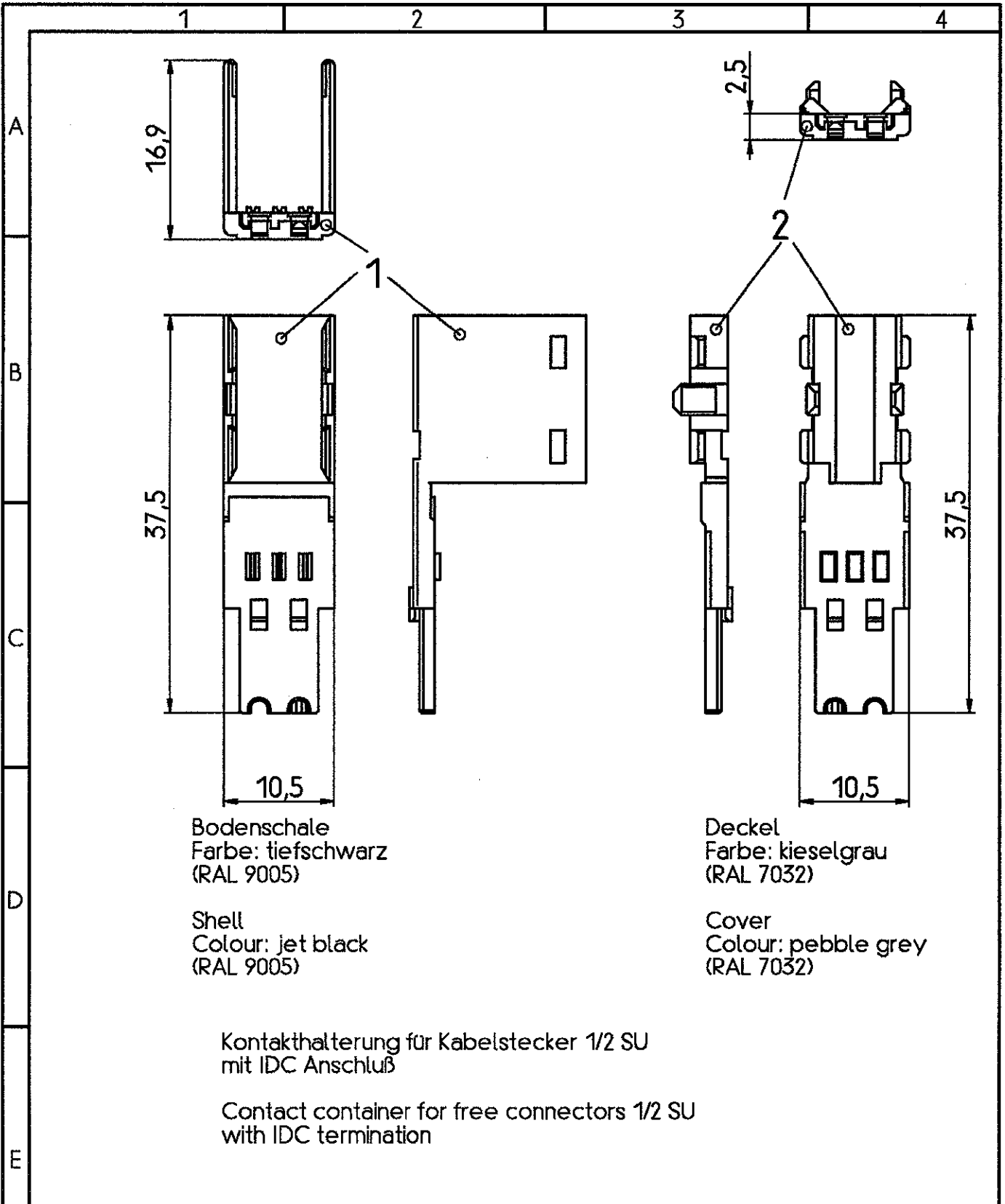
PART NO.

V23552-D\*\*8\*-P5\*\*-\*-7427

SHT. 3+

Customer Drawing Nr. C 1-1393707-1

OF 4



Bodenschale  
Farbe: tiefschwarz  
(RAL 9005)

Shell  
Colour: jet black  
(RAL 9005)

Deckel  
Farbe: kieselgrau  
(RAL 7032)

Cover  
Colour: pebble grey  
(RAL 7032)

Kontakthalterung für Kabelstecker 1/2 SU  
mit IDC Anschluß

Contact container for free connectors 1/2 SU  
with IDC termination



TE Connectivity



DIMENSIONS  
IN MM

SCALE 2:1

WEIGHT

MATERIAL

DATE 18.09.95

NAME Vanbesien

DEP. PD COM

PART NAME

Maßbild  
Dimensional Drawing

TOLERANCE UNLESS  
SPECIFIED OTHERWISE

PART NO.

V23552-D\*\*8\*-P5\*\*-\*-7427

SHT. 4-

Customer Drawing Nr. C 1-1393707-1

OF 4