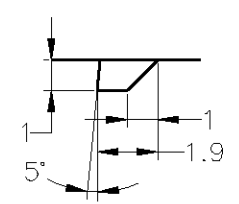
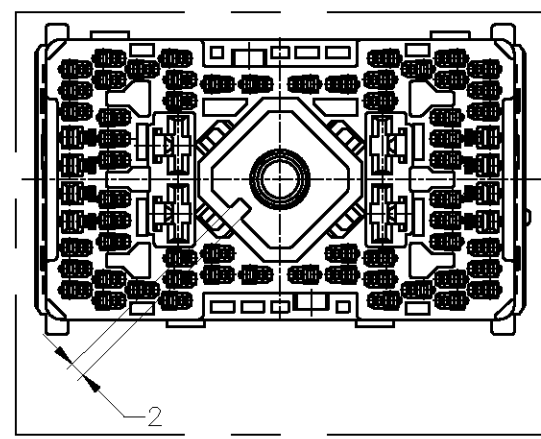


THIS DRAWING IS UNPUBLISHED. RELEASED FOR PUBLICATION
 © COPYRIGHT BY TYCO ELECTRONICS CORPORATION. ALL INTERNATIONAL RIGHTS RESERVED.

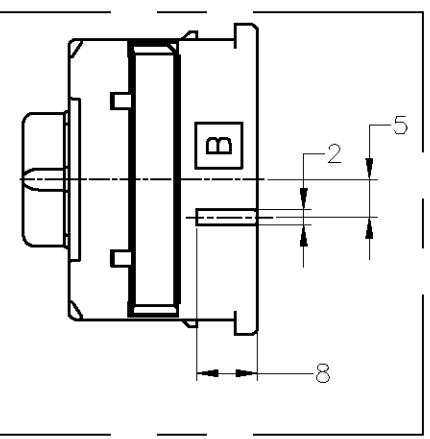
LOC	DIST	REVISIONS					
J	-	P	LTR	DESCRIPTION	DATE	DWN	APVD
		A1	REVISED	ECR-09-008700	17APR09	SK	HY



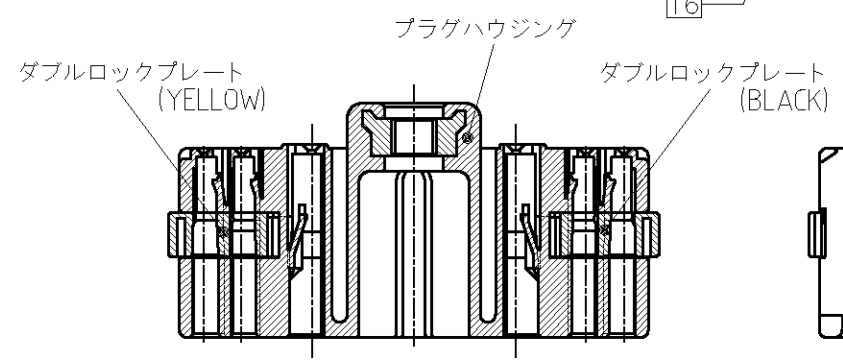
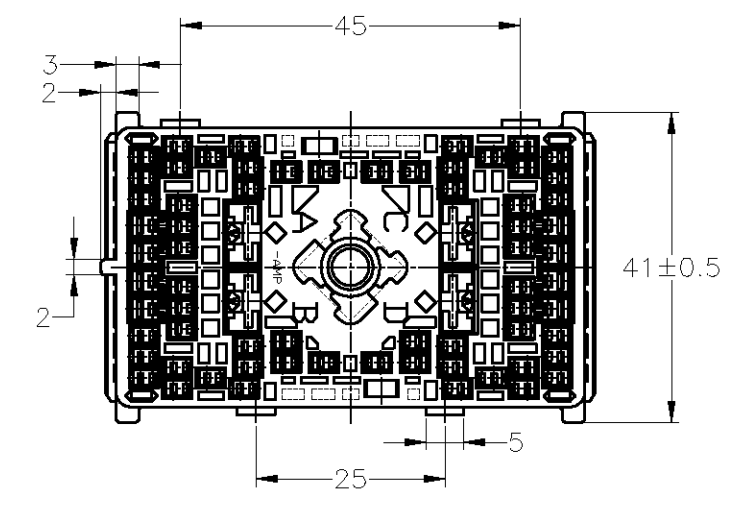
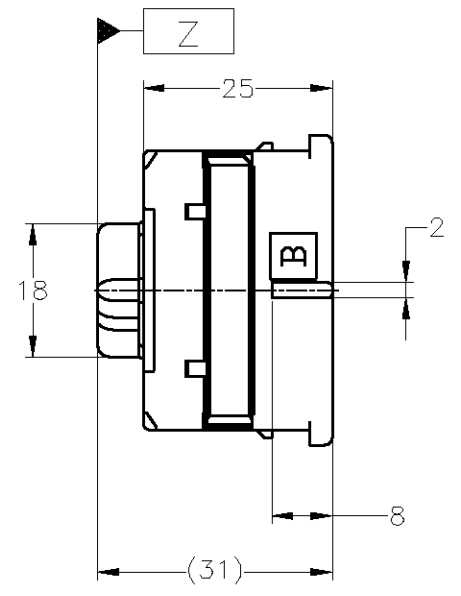
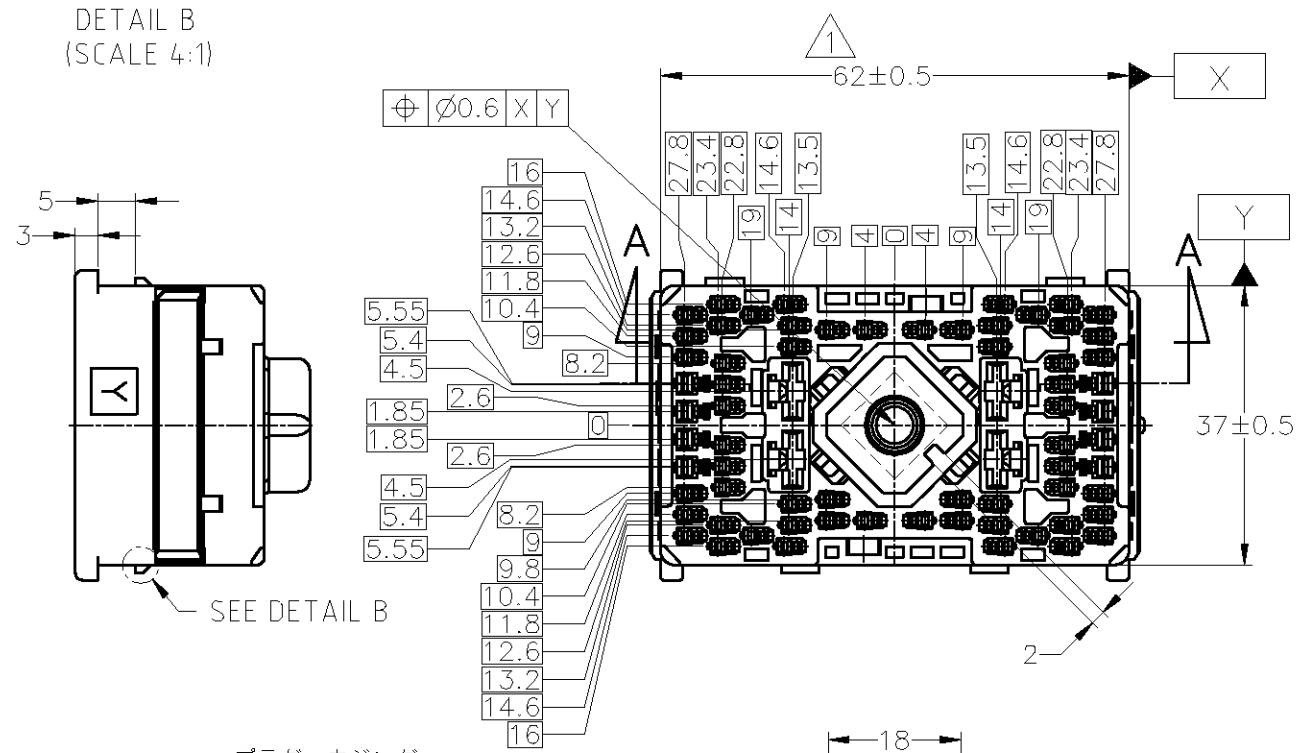
DETAIL B
(SCALE 4:1)



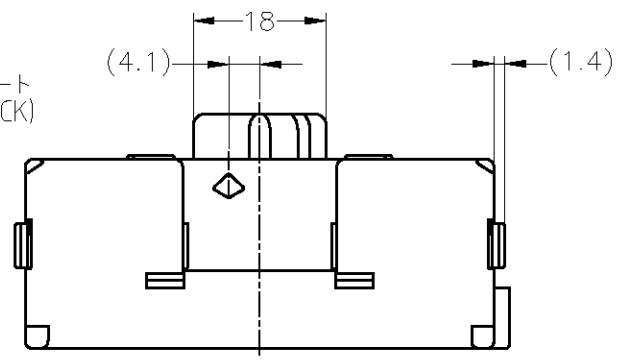
KEY-B
(179263-2)



-6(KEY-A):AS SHOWN
 -6(KEY-A):本図



A-A



NATURAL	KEY-B	179263-2
GRAY	KEY-A	179263-6
COLOR	KEY CODING	PART NUMBER

△ TO BE MEASURED AT 2mm FROM [Z]
 △ [Z]面より2mmの範囲で測定。

TOLERANCE UNLESS OTHERWISE SPECIFIED: 一般公差

0 < x <= 10	: ±0.2
10 < x <= 30	: ±0.25
30 < x <= 100	: ±0.3
ANGLE : 角度	: ±3°

THIS DRAWING IS A CONTROLLED DOCUMENT.

DIMENSIONS: mm	TOLERANCES UNLESS OTHERWISE SPECIFIED:	DWN S.AMEMIYA 03MAR95	Tyco Electronics Corporation Kawasaki, Japan			
	0 PLC ± -	CHK K.ODA 03MAR95				
	1 PLC ± -	APVD Y.MATSUSAKA 03MAR95				
	2 PLC ± -	NAME 70POSITION PLUG HOUSING ASSEMBLY SELF ALIGNING INTER CONNECTOR				
MATERIAL PBT	FINISH SEE TABLE	PRODUCT SPEC -	SIZE A3	CAGE CODE 00779	DRAWING NO C-179263	RESTRICTED TO -
CUSTOMER DRAWING		WEIGHT 39 g	SCALE 1:1	SHEET 1 OF 1	REV A1	