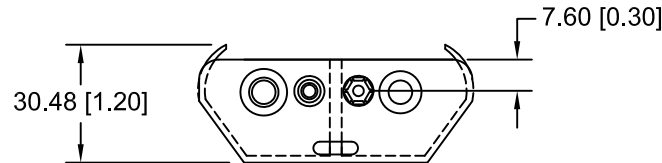
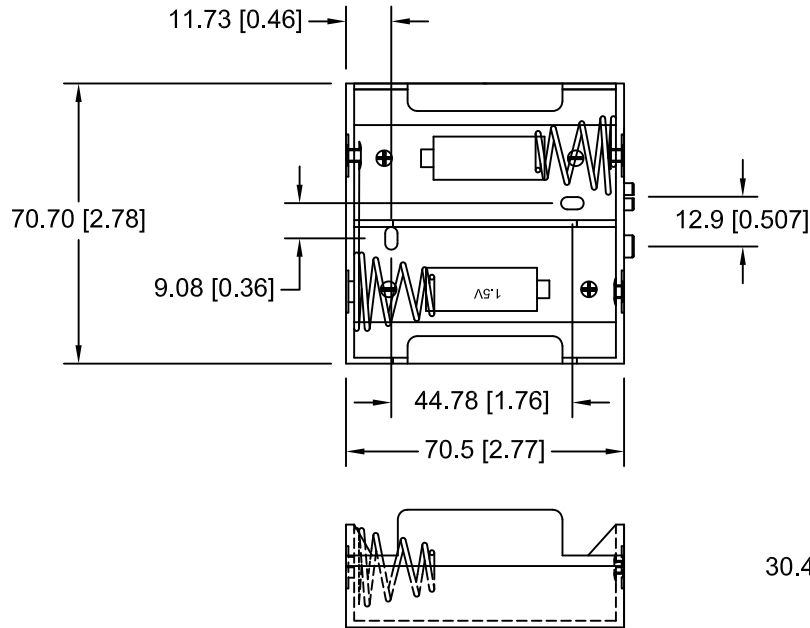



| Date     | SYM | REVISION RECORD                                       | AUTH | DR.  | CK. |
|----------|-----|---|------|------|-----|
| 11/15/13 | A   | REDRAWN IN AUTOCAD<br>UPDATED TO ROHS 2<br>COMPLIANT  | T.B. | B.S. |     |
| 04/07/17 | B   | DIM. 44.78 WAS 46.79<br>ADDED MOUNTING<br>HOLE DETAIL | T.B. | B.S. |     |
|          |     |   |      |      |     |

NOTES:

1. MATERIAL:

HOUSING : BLACK POLYPROPYLENE  
 FLAMMABILITY RATING -UL94-HB, UL FILE NO. E216959  
 TEMPERATURE RANGE: -10°C to +100°C  
 RIVETS: BRASS, NICKLE PLATED.  
 SPRING: SPRING STEEL, NICKLE PLATED.  
 9 VOLTS SNAPS: BRASS, NICKLE PLATED.  
 CONTACT RESISTANCE: UNDER 50mΩ FOR +/- CONTACTS PER  
 EIA-540J000  
 ROHS 2 COMPLIANT.



|                                |   |                          |                  |
|--------------------------------|---|--------------------------|------------------|
| Tolerance<br>(Except as noted) |  <b>Memory Protection Devices, Inc</b><br>200 Broad Hollow Road, Farmingdale, New York 11735 | Scale                    | Drawn By B.S.    |
|                                |   |                          | Approved By T.B. |
| Fractional<br>± .8 (.030)      | Title<br>TWO "D" CELL HOLDER WITH 9V SNAPS  |                          |                  |
| Angular<br>± 3°                | Date<br>04/07/17  | Drawing Number<br>BH2DSF |                  |