

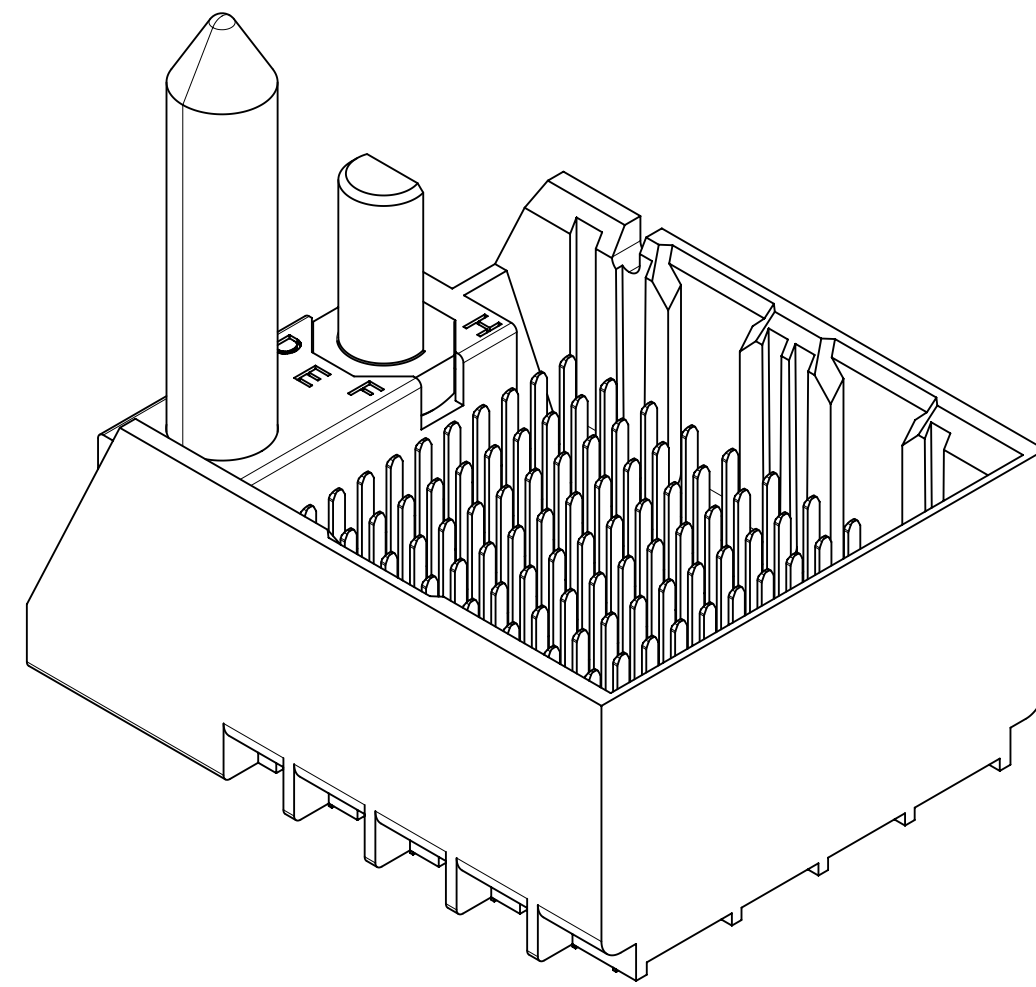
- NOTES:**
1. MATERIALS: HOUSING - LIQUID CRYSTAL POLYMER (LCP) GLASS-FILLED, UL94V-0
TERMINALS - HIGH PERFORMANCE COPPER ALLOY
 2. FINISH: 30μ MIN GOLD IN CONTACT AREA.
SELECTIVE TIN ON PCB TAILS.
NICKEL OVERALL.
 3. REFER TO MOLEX PRODUCT SPECIFICATION PS-76060-999 FOR PERFORMANCE SPECIFICATIONS AND ADDITIONAL PCB INFORMATION.
 4. THIS PART CONFORMS TO CLASS B REQUIREMENTS OF MOLEX COSMETIC SPEC PS-45499-002.
 5. PACKAGE PER: PK-70873-757.
 6. SEE SHEETS 2 & 3 FOR PART NUMBERS AND BOARD RELATIONSHIPS.
 7. FOR GROUNDED GUIDE PINS USE DIA. 3.56 +/-0.08 (PTH) DIA. 3.66 (DRILL) AND DIA 6.5 (PAD).
 8. MATES WITH IMPACT DC SERIES NO. 76160.
 9. KEEP OUT ZONE FOR BP HOUSING LENGTH INCLUDES AN ADDITIONAL 1.0MM TO ACCOMMODATE FOR SPACE REQUIRED BY DC FRONT HOUSING.
 10. REFER TO MOLEX PCB ROUTING GUIDE AS-76060-990 FOR ANTIPAD AND ROUTING RECOMMENDATIONS.
 11. CONNECTORS SUPPLIED WITH A 2-56 UNC-2A SCREW.
 12. "THESE DIMENSIONS REPRESENT THE AREA NEEDED TO ACCOMMODATE CONNECTOR INSERTION AND REPAIR ON THE PC BOARD. THIS IS REFERRED TO AS THE "CONNECTOR KEEP OUT ZONE" AND DOES NOT REPRESENT THE ACTUAL PERIMETER OF THE CONNECTOR. WHEN LAYING OUT THE PC BOARD FOR CONNECTORS STACKED TOGETHER, USE A 1.9mm PROGRESSION."

THIS DRAWING CONTAINS INFORMATION THAT IS PROPRIETARY TO MOLEX ELECTRONIC TECHNOLOGIES, LLC AND SHOULD NOT BE USED WITHOUT WRITTEN PERMISSION

MIGRATED TO NX EC NO: 123322 DRWN: NMUNIVENKATA CHKD: PRAMASWAMY REV APPR: PRAMASWAMY	2017/10/09	2017/10/16	2017/10/18	GENERAL TOLERANCES (UNLESS SPECIFIED)	DIMENSION UNITS	SCALE			
				4 PLACES ±	mm	4:1			
				3 PLACES ±	DRWN BY	DATE	IMPACT 4 PAIR HEADER LEFT GUIDED ASSEMBLY SALES DRAWING		
				2 PLACES ± 0.13	TIBARRA	2012/11/26			
			1 PLACE ± 0.25	CHKD BY	DATE	PRODUCT CUSTOMER DRAWING			
			0 PLACES ±	JBINGHAM	2012/12/18				
			DRAFT WHERE APPLICABLE MUST REMAIN WITHIN DIMENSIONS	APPR BY	DATE	SERIES: 76155 MATERIAL NUMBER: SEE CHART CUSTOMER: GENERAL MARKET			
				SMILLER	2012/12/31				
				DRAWING SIZE	THIRD ANGLE PROJECTION	DOCUMENT NUMBER: SD-76155-002 DOC TYPE: PSD DOC PART: 001 SHEET NUMBER: 1 OF 3			
				D					

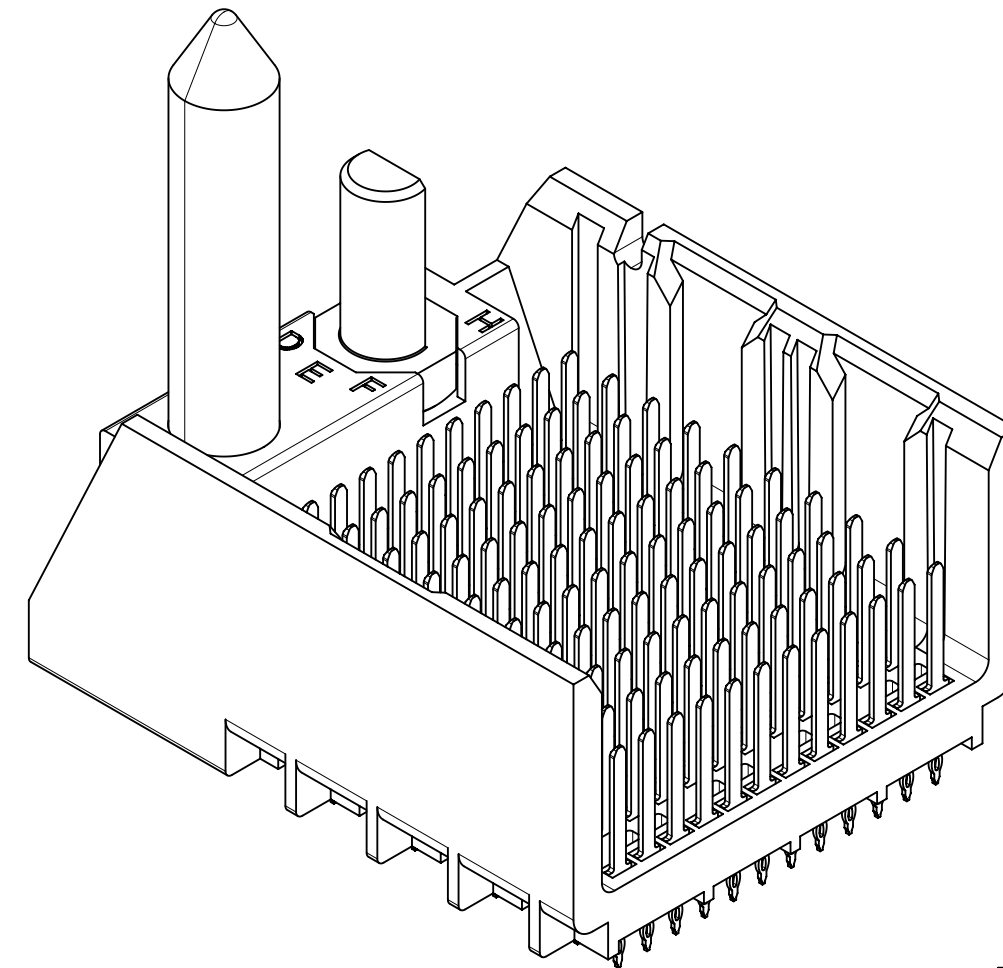
PART NUMBER TABLE

MATERIAL NUMBER	# OF COLUMNS	# OF DIFF PAIR	DIM "A"	DIM "B"	GUIDE LEFT END WALL OPTION
76155-*3**	6	24	19.3	9.50	
76155-*8**	8	32	23.1	13.30	
76155-*1**	10	40	26.9	17.10	
76155-*6**	16	64	38.3	28.50	



GUIDE LEFT
END WALL
OPTION

MATERIAL NUMBER	# OF COLUMNS	# OF DIFF PAIR	DIM "A"	DIM "B"	GUIDE LEFT END WALL OPTION
76155-*3**	6	24	17.9	9.50	
76155-*8**	8	32	21.7	13.30	
76155-*1**	10	40	25.5	17.10	
76155-*6**	16	64	36.9	28.50	



GUIDE LEFT
END WALL
OPTION

PART NUMBER LOGIC

76155-****

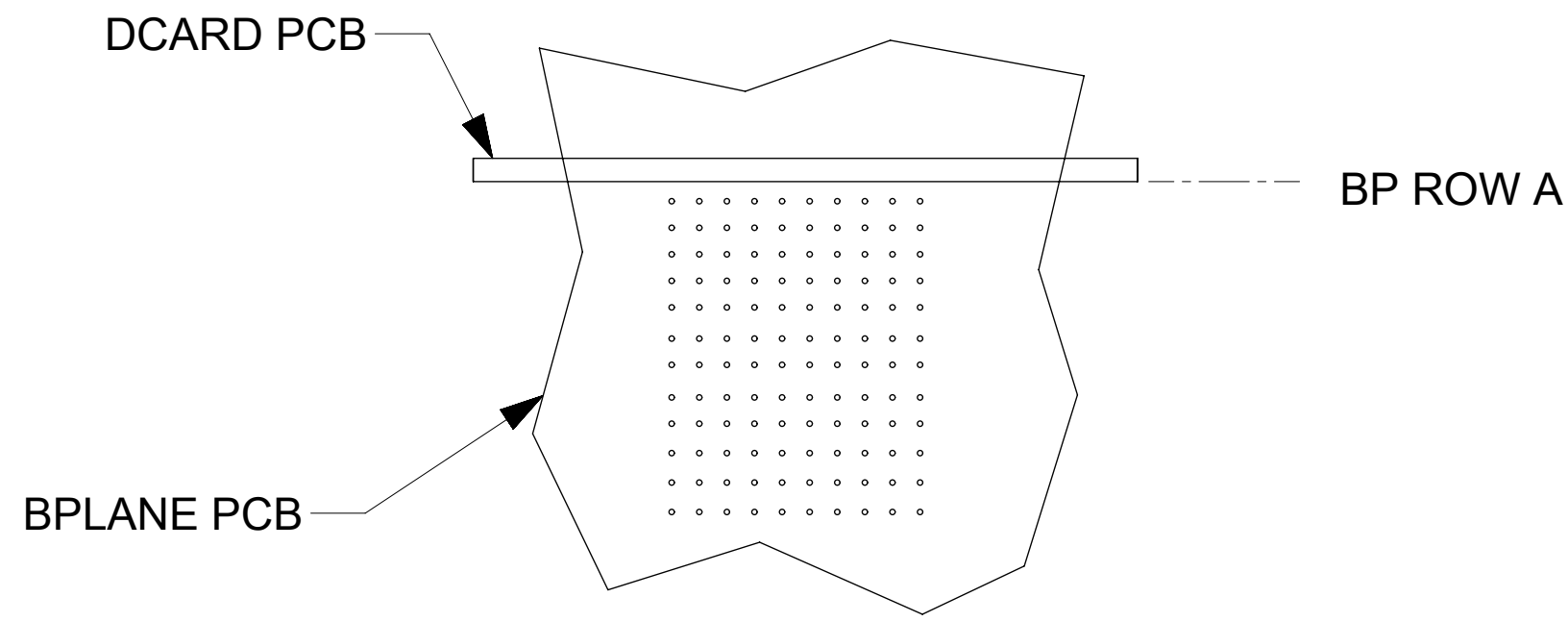
MODULE & TAIL PLATING TYPE
3 = GUIDE LEFT, TIN
7 = GUIDE LEFT END WALL, TIN

OF COLUMNS
1 = 10 COL
3 = 6 COL
6 = 16 COL
8 = 8 COL

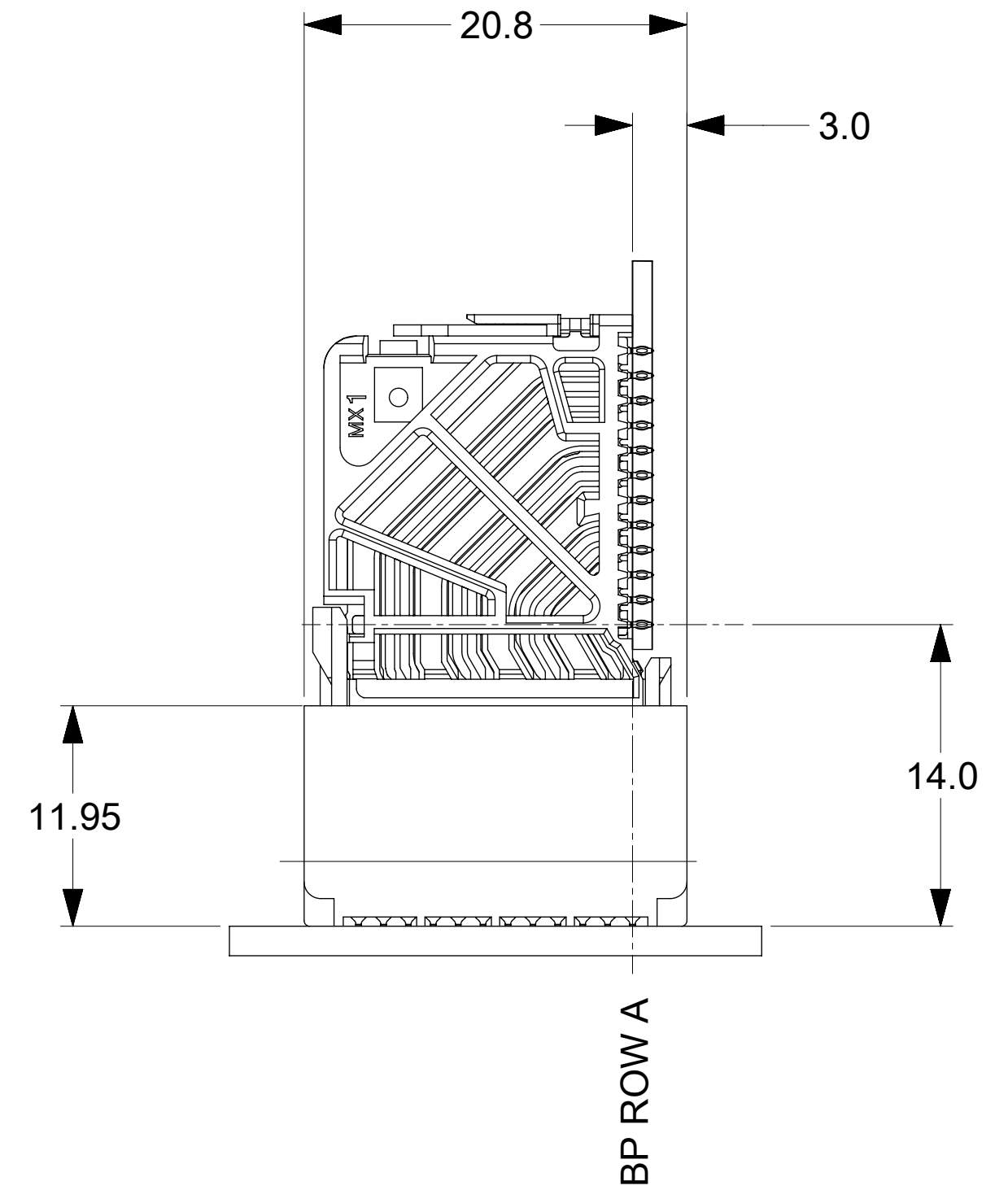
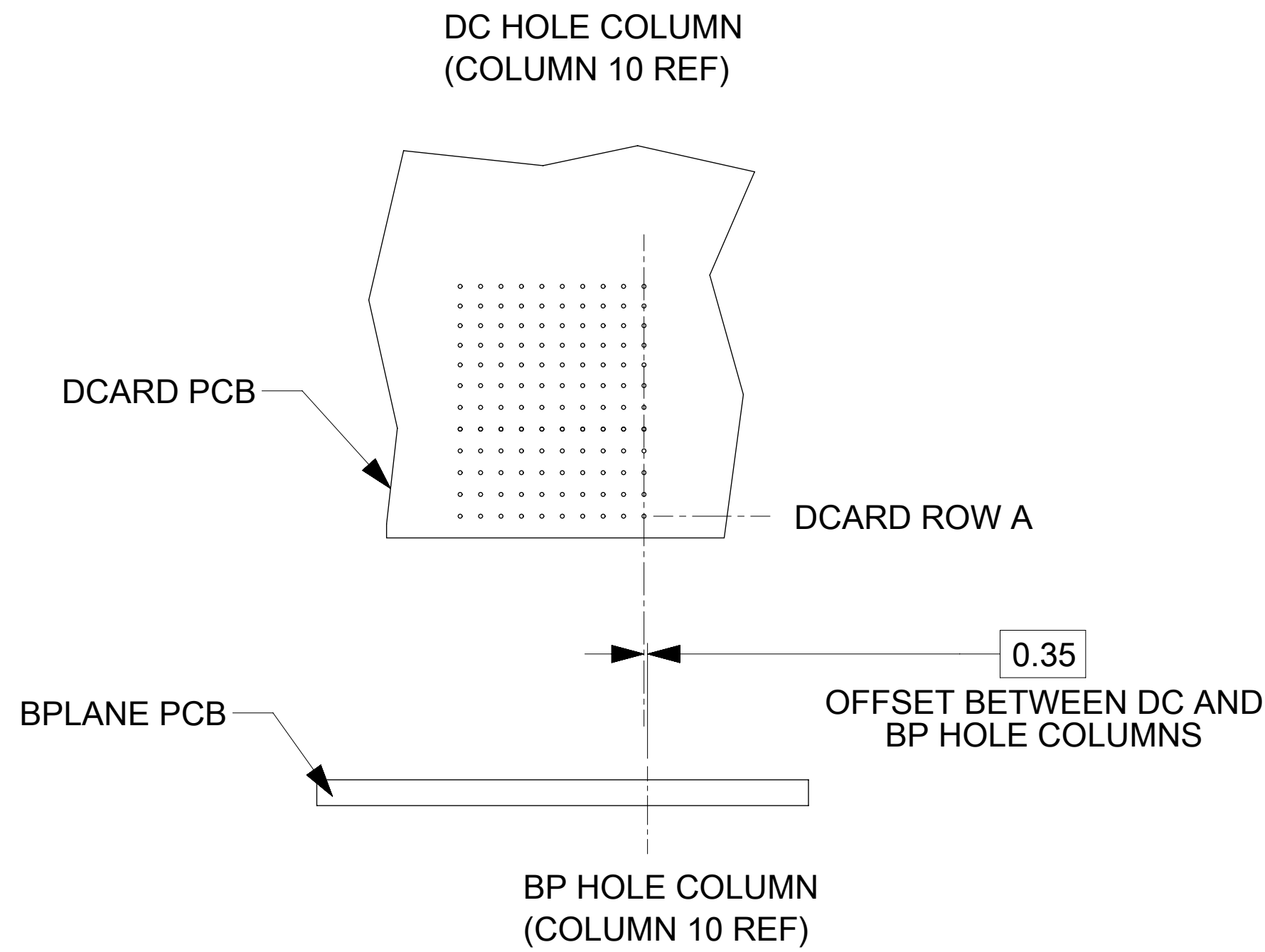
PIN LENGTH (P)
3 = 4.50 (SHORT COMPLIANT, 0.46±0.05 PTH)
4 = 4.90 (SHORT COMPLIANT, 0.46±0.05 PTH)
5 = 5.50 (SHORT COMPLIANT, 0.46±0.05 PTH)
6 = 4.50 (MICRO COMPLIANT, 0.39±0.05 PTH)
7 = 4.90 (MICRO COMPLIANT, 0.39±0.05 PTH)
8 = 5.50 (MICRO COMPLIANT, 0.39±0.05 PTH)

KEY ORIENTATION
0 = NO KEY
1 = A
2 = B
3 = C
4 = D
5 = E
6 = F
7 = G
8 = H

THIS DRAWING CONTAINS INFORMATION THAT IS PROPRIETARY TO MOLEX ELECTRONIC TECHNOLOGIES, LLC AND SHOULD NOT BE USED WITHOUT WRITTEN PERMISSION											
MIGRATED TO NX EC NO: 123322 DRWN: NIMUNIVENKATA CHKD: PRAMASWAMY REV / APPR: PRAMASWAMY	2017/10/09	2017/10/16	2017/10/18	GENERAL TOLERANCES (UNLESS SPECIFIED)		DIMENSION UNITS	SCALE				
	mm		4:1		ANGULAR TOL ± 0.5 °		TIBARRA 2012/11/26				
	4 PLACES ±		3 PLACES ±		3 PLACES ±		CHK'D BY DATE		JBINGHAM 2012/12/18		
	2 PLACES ± 0.13		1 PLACE ± 0.25		0 PLACES ±		APPR BY DATE		SMILLER 2012/12/31		
	DRAFT WHERE APPLICABLE MUST REMAIN WITHIN DIMENSIONS		DRAWING SIZE		THIRD ANGLE PROJECTION		C		SERIES MATERIAL NUMBER CUSTOMER		76155 SEE CHART GENERAL MARKET
H1		PSD		DOC PART SHEET NUMBER		SD-76155-002		001		2 OF 3	



**IMPACT 4 PAIR
BOARD RELATIONSHIPS**



THIS DRAWING CONTAINS INFORMATION THAT IS PROPRIETARY TO MOLEX ELECTRONIC TECHNOLOGIES, LLC AND SHOULD NOT BE USED WITHOUT WRITTEN PERMISSION											
MIGRATED TO NX	EC NO:	2017/10/09	GENERAL TOLERANCES (UNLESS SPECIFIED)		DIMENSION UNITS	SCALE	molex				
	DRWN:	NIMUNIVENKATA	ANGULAR TOL ± 0.5 °		mm	4:1					
	CHKD:	PRAMASWAMY	4 PLACES	±	DRWN BY	DATE	IMPACT 4 PAIR HEADER LEFT GUIDED ASSEMBLY SALES DRAWING				
	REV	APP: PRAMASWAMY	3 PLACES	±	TIBARRA	2012/11/26					
			2 PLACES	± 0.13	CHKD BY	DATE	PRODUCT CUSTOMER DRAWING				
			1 PLACE	± 0.25	JBINGHAM	2012/12/18					
		0 PLACES	±	APPR BY	DATE	SERIES MATERIAL NUMBER CUSTOMER					
		DRAFT WHERE APPLICABLE MUST REMAIN WITHIN DIMENSIONS			SMILLER						2012/12/31
H1					DRAWING SIZE	THIRD ANGLE PROJECTION	DOCUMENT NUMBER		DOC TYPE	DOC PART	SHEET NUMBER
					C		SD-76155-002	PSD	001	3 OF 3	