

Customer Information Sheet

DRAWING No.: M20-997XXXX

SHEET 2 OF 2

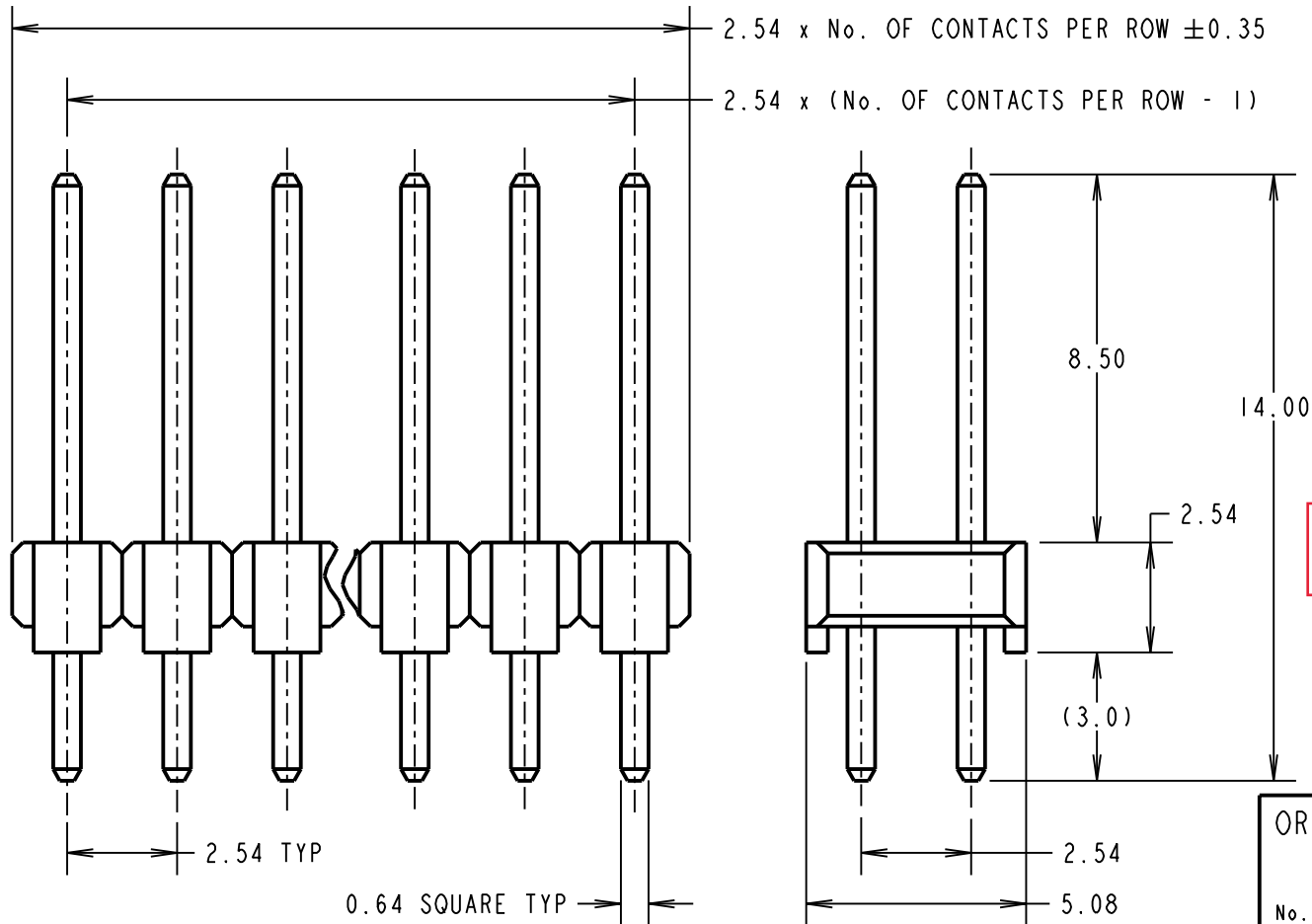
IF IN DOUBT - ASK

(C)

NOT TO SCALE

THIRD ANGLE PROJECTION

ALL DIMENSIONS IN mm



SPECIFICATION:

MATERIAL:
 MOULDING = PA6T UL94V-0, BLACK
 PINS = BRASS

FINISH:
 PINS (OVER NICKEL):
 45 = GOLD
 46 = 100% TIN

ELECTRICAL:
 CURRENT RATING = 3A MAX
 CONTACT RESISTANCE = $25m\Omega$ MAX (GOLD),
 $30m\Omega$ MAX (TIN)
 INSULATION RESISTANCE = 1,000M Ω MIN
 DIELECTRIC STRENGTH = 750V AC/DC

MECHANICAL:
 DURABILITY = 300 OPERATIONS (GOLD),
 50 OPERATIONS (TIN)

ENVIRONMENTAL:
 TEMPERATURE RANGE = -40°C TO +105°C

PACKING:
 BAG

FOR COMPLETE SPECIFICATION, SEE COMPONENT SPECIFICATION C001XX (LATEST ISSUE)

Active products:

- M20-9970246
- M20-99703XX
- M20-9970445
- M20-99705XX
- M20-99706XX
- M20-99707XX
- M20-99708XX
- M20-99710XX
- M20-9973646

ORDER CODE:
M20-997XXXX

No. OF CONTACTS PER ROW:
 02 TO 20, 25, 36, 40

FINISH:
 45 = GOLD
 46 = 100% TIN

OBSOLETE
 All other size/finish combinations not listed above

- NOTES:**
- ALL TOLERANCES ARE ± 0.25 mm UNLESS OTHERWISE STATED.
 - RECOMMENDED PCB MOUNTING HOLE SIZE = $\varnothing 1.00$ mm.
 - SUITABLE FOR USE WITH BOTTOM ENTRY SOCKETS.

WJP	15	01.08.17	20398
NAME	ISS.	DATE	C/NOTE
APPROVED: W. J. PRESTON			
CHECKED: M. PLESTED			
DRAWN: K. SHIER			
CUSTOMER REF.:			
ASSEMBLY DRG:			

HARWIN

www.harwin.com
 technical@harwin.com

THIS DRAWING AND ANY INFORMATION OR DESCRIPTIVE MATTER SET OUT HEREON ARE CONFIDENTIAL AND COPYRIGHT PROPERTY OF THE HARWIN GROUP AND MUST NOT BE DISCLOSED, LOANED, COPIED OR USED FOR MANUFACTURING, TENDERING OR FOR ANY OTHER PURPOSE WITHOUT THEIR WRITTEN PERMISSION.

TOLERANCES
~~X = ± 1 mm
 X.X = ± 0.50 mm
 X.XX = ± 0.10 mm
 X.XXX = ± 0.01 mm
 ANGLES = $\pm 5^\circ$
 UNLESS STATED~~

MATERIAL:
 SEE ABOVE

FINISH:
 SEE ABOVE

S/AREA:
 mm²

TITLE:
 2.54mm PITCH DIL VERTICAL PIN HEADER ASSEMBLY (8.5mm)

DRAWING NUMBER:
M20-997XXXX

SHT 2 OF 2