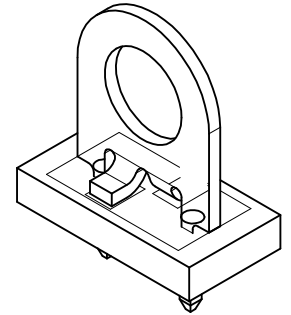
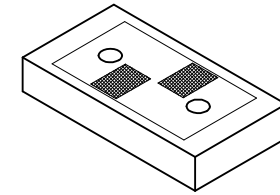
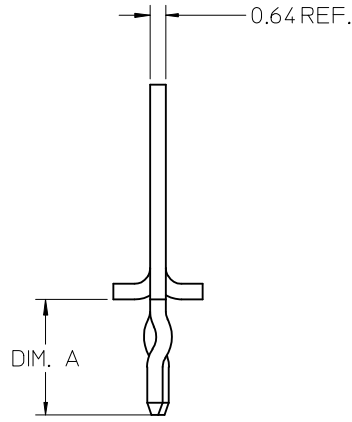
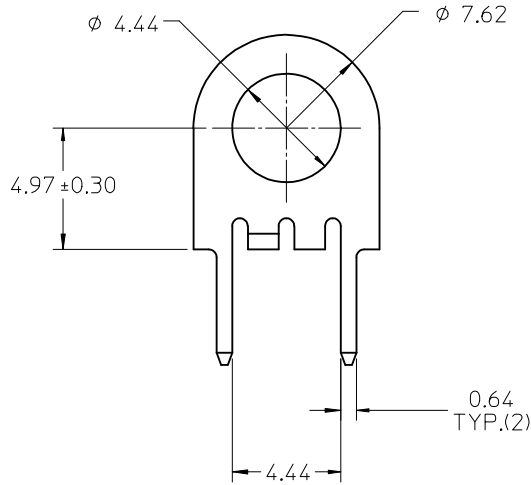
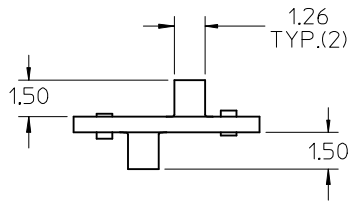
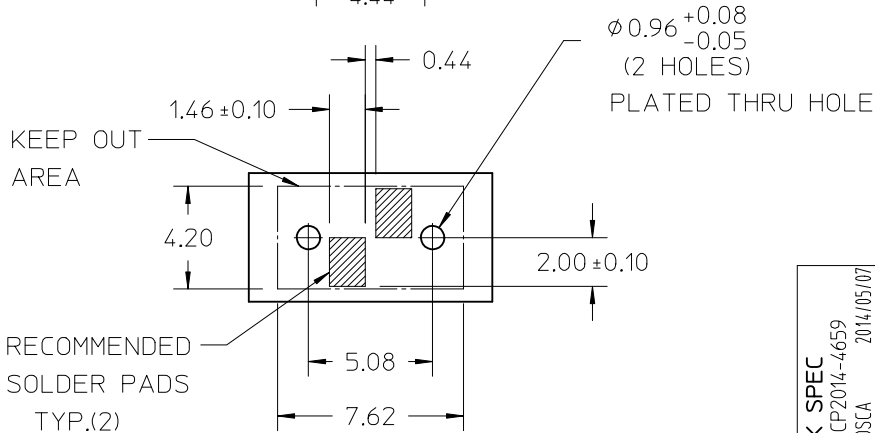


MATERIAL P/N	PCB THK.	DIM. A
46548-0001	---	3.60
46548-0002	---	4.18
46548-0003	---	4.57



HEATSINK HOOK, INSTALLATION PROCESS



RECOMMENDED PCB LAYOUT

NOTES:

1. MATERIAL: ALLOY 260 BRASS
2. PLATING: TIN 2.54μ OVER NICKEL 1.27μ
3. THIS PART CONFORMS TO CLASS B REQUIREMENTS OF COSMETIC SPEC PS-45499-002
4. PACKAGING SPECIFICATION PK-46548-0001

ADD PK SPEC EC NO: UCP2014-4659 DRW: DROSCA 2014/05/07 CHKD: APPR: JCOMERC I 2014/05/30	DESCRIPTION B2	QUALITY SYMBOLS	GENERAL TOLERANCES (UNLESS SPECIFIED)	DIMENSION STYLE	SCALE	DESIGN UNITS	THIRD ANGLE PROJECTION	
		▼=0 ▽=0	mm INCH 4 PLACES ± --- ± --- 3 PLACES ± --- ± --- 2 PLACES ± 0.25 ± --- 1 PLACE ± 0.5 ± --- ANGULAR ± 1/2°	MM ONLY	5:1	METRIC	☉ ☐ THIRD ANGLE PROJECTION	
			DRAFT WHERE APPLICABLE MUST REMAIN WITHIN DIMENSIONS	DRAWN BY DATE DROSCA 04/26/2007 CHECKED BY DATE JCOMERC I 04/26/2007 APPROVED BY DATE JCOMERC I 04/26/2007	TITLE	HEATSINK HOOK		
				MATERIAL NO.	DOCUMENT NO.	MOLEX INCORPORATED SD-46548-001		SHEET NO. 1 OF 1