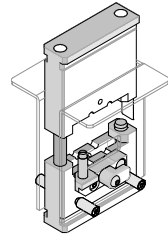


**Crimp Adapter for  
Type 2C and 4C  
Hand Crimp Tools  
In Pneumatic  
Crimp Machine**

**molex**

**Application Tooling  
Specification Sheet**



**Order No. 63801-8906**

**Features**

- The Quick Change Crimp Adapter allows crimp die kits to be easily installed into the bench mounted pneumatic crimp machine UP 60.
- Powered crimp capabilities help reduce fatigue and discomfort from repetitive manual crimping.

**Scope**

The 63801-8906 Crimp Adapter was created for use with the crimp dies and locators from the Type 2C and 4C hand crimp tool frames when used with the Universal Pneumatic Crimp Machine UP 60. (Order No. 63801-8900).

This Crimp Adapter is supplied with two safety guards; one for crimp kits with locators and one for crimp kits without locators.

**Installation**

To install the dies in the Crimp Adapter and the Crimp Adapter into the Universal Pneumatic Crimp Machine UP 60, refer to the Instruction Manual TM-638018900, Section 9 *Adapters*.

**Maintenance**

It is recommended that each operator of the tool be made aware of, and responsible for, the following maintenance steps:

1. Remove dust, moisture and other contaminants with a clean brush, or soft, lint-free cloth.
2. Do not use any abrasive materials that could damage the tool.
3. Make certain the pins are protected with a thin coat of high quality machine oil. Do not oil excessively. This tool was engineered for durability, but like any fine piece of equipment, it needs cleaning and lubrication for a maximum service life of trouble-free crimping. The use of a light oil, such as SAE 30 weight automotive oil, every 5,000 crimps or monthly, will significantly enhance the tool life and ensure a stable calibration.
4. Store the tool in a clean and dry area when not in use.

**Warranty**

This tool is for electrical terminal crimping purposes only. This tool is made of the best quality materials. All vital components are long life-tested. All tools are warranted free of manufacturing defects for a period of **30 days**. Should such a defect occur, we will repair or exchange the tool free of charge. This repair or exchange will not be applicable to alter, misused, or damaged tools.

**PARTS LIST**

Item	Order Number	Description	Quantity
1	63801-8906	Crimp Adapter for Type 2C and 4C Crimp Tools with Locator Mount and Safety Guards	1
2	63801-8996	Safety Guard (for applications with locator)	0
	63801-8986	Safety Guard (for applications w/o locator) (not shown)	0
3	63801-8976	Locator Mount	0

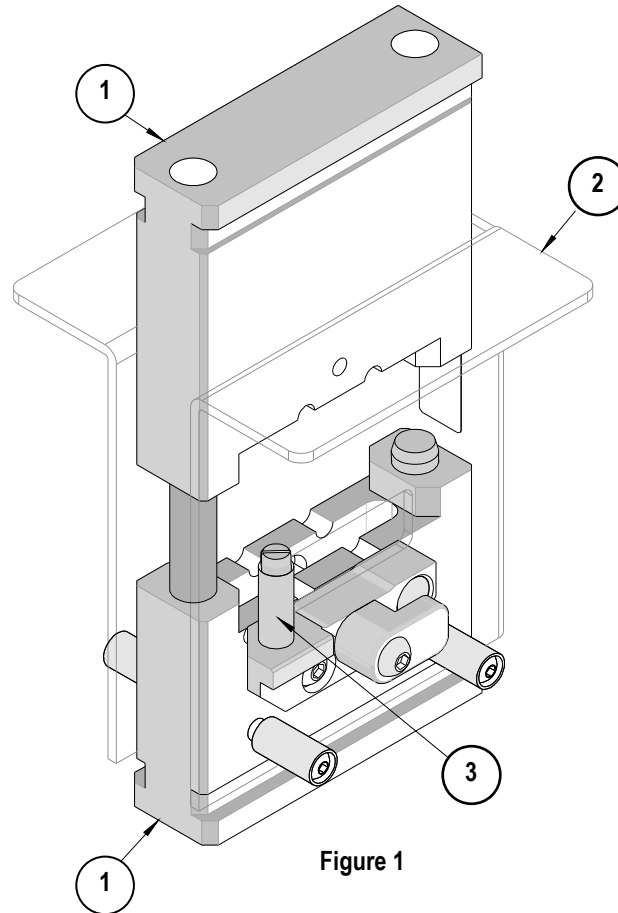


Figure 1

Visit our Web site at <http://www.molex.com>