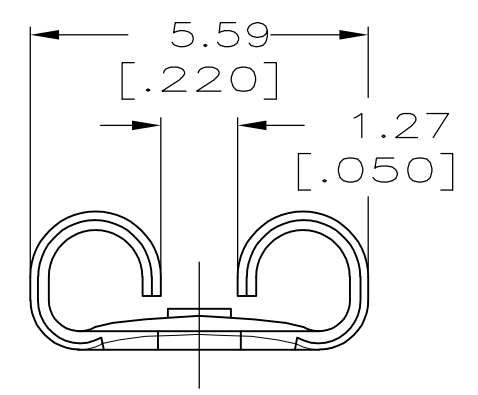
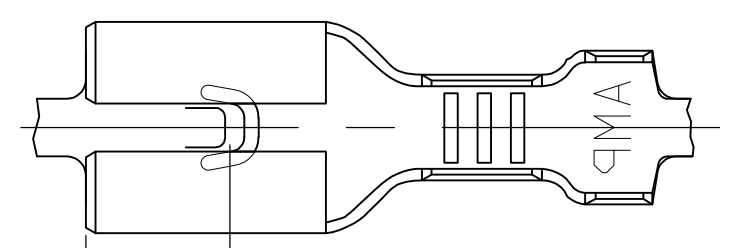


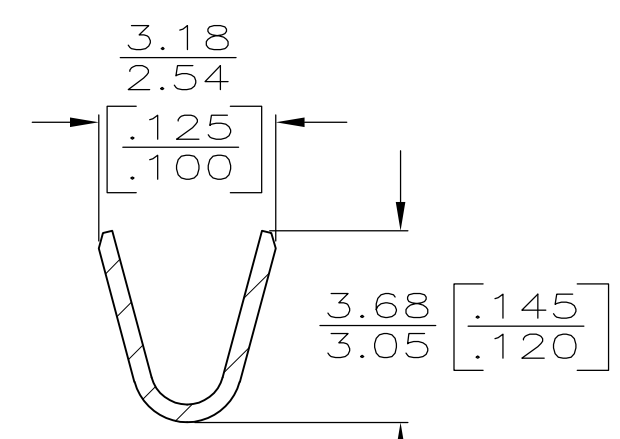
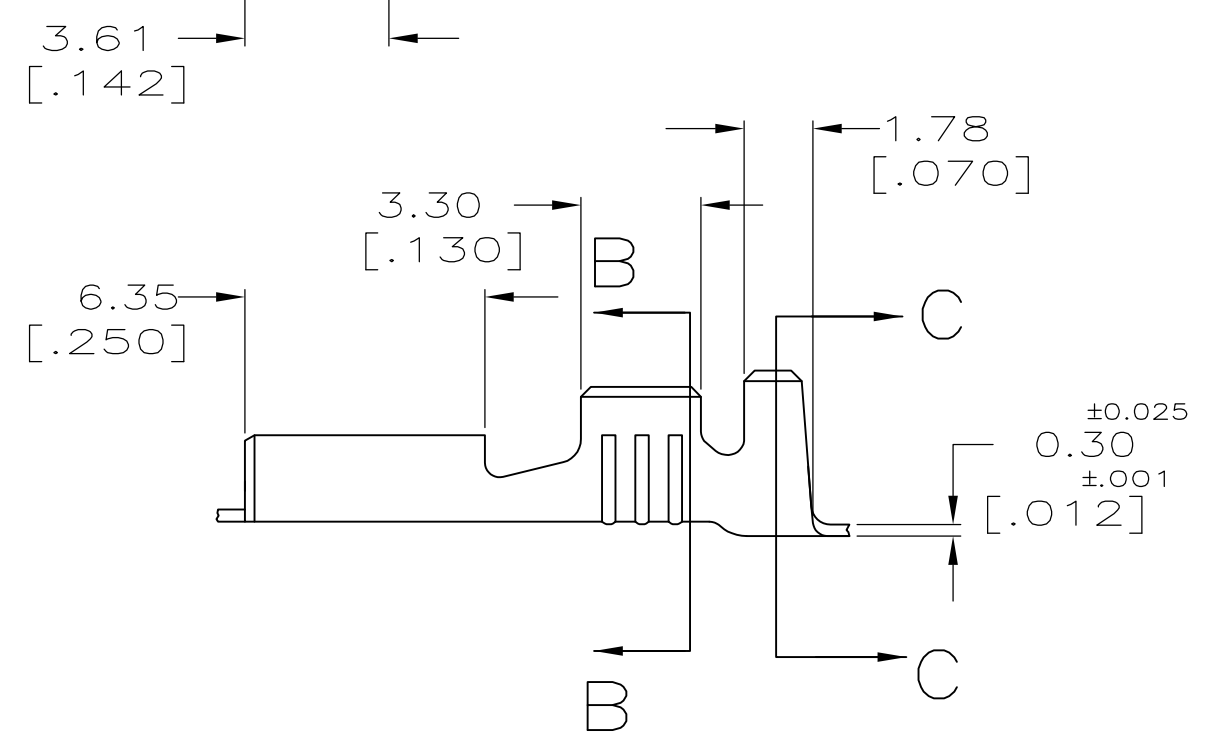
THIS DRAWING IS UNPUBLISHED. RELEASED FOR PUBLICATION
 © COPYRIGHT - By - ALL RIGHTS RESERVED.

| LOC | DIST | REVISIONS | | | | | |
|-----|------|-----------|-----|---------------------------|-----------|-----|------|
| AF | 50 | P | LTR | DESCRIPTION | DATE | DWN | APVD |
| | | C | | REVISED PER ECR-12-013518 | 23NOV2012 | KH | PD |

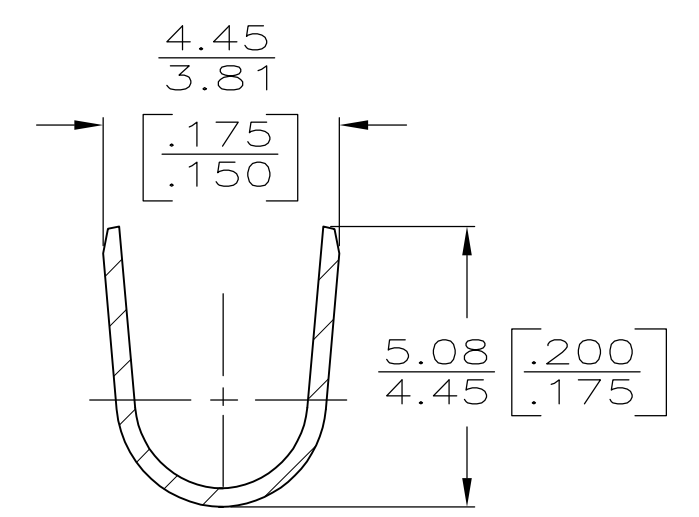


SECTION A-A
SCALE 8:1

1 CONTINUOUS STRIP ON REELS.



SECTION B-B
SCALE 8:1



SECTION C-C
SCALE 8:1

| | | | |
|----------------------------------|---|--------|---------|
| 2.29-3.30 DIA [.090-.130] DIA | 0.5-1.3mm ² [#20-#16] AWG | - | 63654-1 |
| INSUL RANGE | WIRE SIZE | FINISH | PART NO |

| | | | | | |
|--|--|-------------------------------|------------------------|--------------------|--|
| THIS DRAWING IS A CONTROLLED DOCUMENT. | | DWN JR RUTH 8/19/96 | TE Connectivity | | |
| DIMENSIONS: mm [INCHES] | | CHK MS FEHER 8/19/96 | | | NAME |
| TOLERANCES UNLESS OTHERWISE SPECIFIED: | | APVD P DESANTIS 8/19/96 | | | |
| | | PRODUCT SPEC | | | RECEPTACLE, FASTON, LOW-INSERTION, 4.75 [.187] SERIES |
| MATERIAL BRASS | | FINISH - | APPLICATION SPEC | RESTRICTED TO | |
| | | WEIGHT - | SIZE A3 | CAGE CODE 00779 | |
| | | CUSTOMER DRAWING | DRAWING NO C-63654 | SCALE 5:1 | |
| | | | SHEET 1 OF 1 | REV C | |