



PART NAME

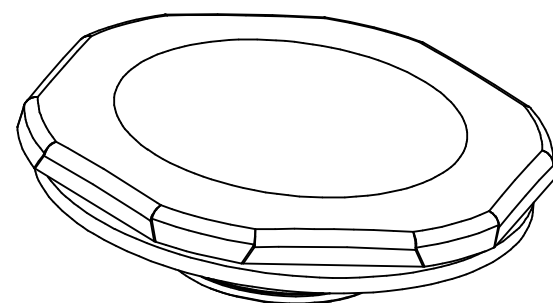
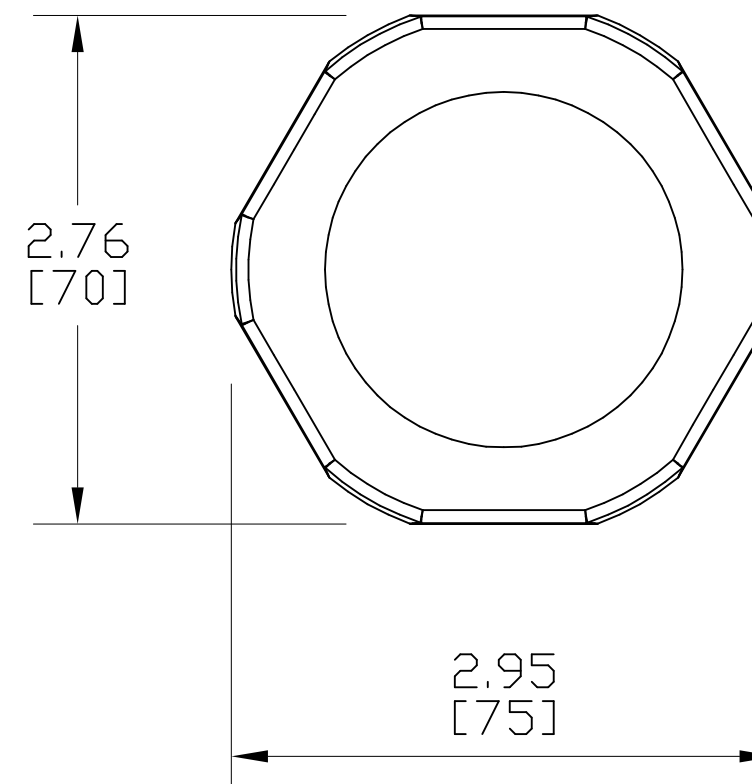
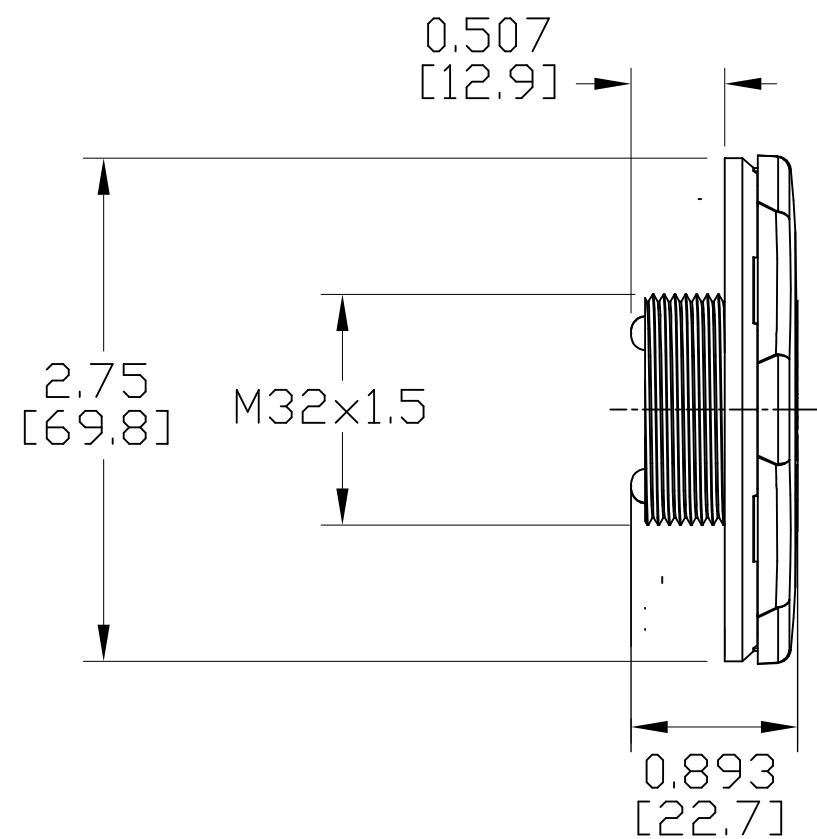
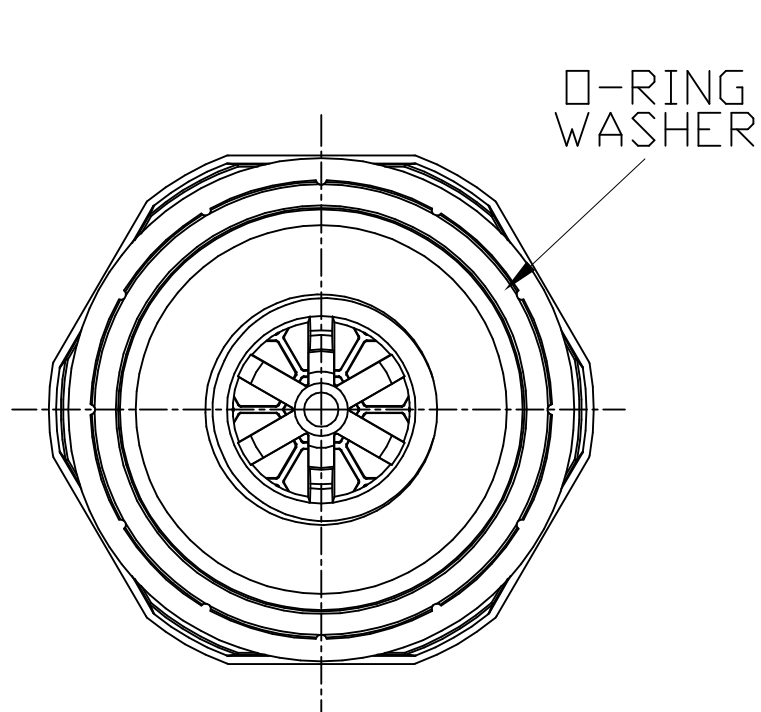
M32 X 1.5 VENT PLUG, BLACK, WITH ORING WASHER

PART No.

IPV-67322-B

REV. DATE

5/30/19



DRAWING FOR REFERENCE
 WE RESERVE THE RIGHT TO MAKE CHANGES TO OUR
 STANDARD PRODUCTS. PLEASE CONSULT WITH BUD INDUSTRIES
 PRIOR TO USING THIS DRAWING FOR DESIGN PURPOSE.

- NOTES:
- 1- BODY MATERIAL - PC (IP67)
 MEMBRANE MATERIAL - e-PTFE
 ORING WASHER MATERIAL - SILICONE
 - 2- FINISH - BLACK
 - 3- DIMENSIONS ARE INCH [MM]

