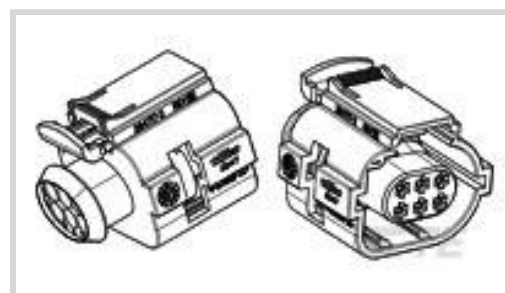




Connectors > Automotive Connectors > Automotive Housings > Timer Connector Housing



Connector & Housing Type: **Housing for Female Terminals**

Mating Tab Width: **1.6 mm [.062 in]**

Connector System: **Wire-to-Wire**

Number of Positions: **6**

Centerline (Pitch): **4 mm [.157 in]**

[All Timer Connector Housing \(589\)](#)

Features

Product Type Features

Connector Shape	Rectangular
Connector & Housing Type	Housing for Female Terminals
Connector System	Wire-to-Wire
Sealable	Yes
Hybrid Connector	No
Primary Locking Feature	On the Terminal
Connector & Contact Terminates To	Wire & Cable

Configuration Features

Number of Positions	6
Number of Rows	2

Electrical Characteristics

Operating Voltage	24 VDC
Nominal Voltage Architecture	12 V, 24 V

Body Features

Cable Exit Angle	180°
Primary Product Color	Brown



Contact Features

Contact Size	1.6mm
Contact Type	Receptacle
Mating Tab Width	1.6 mm[.062 in]
Contact Current Rating (Max)	10 A

Mechanical Attachment

Terminal Position Assurance	Yes
Strain Relief	Without
Mating Alignment Type	Polarized
Mating Alignment	With
Connector Mounting Type	Cable Mount (Free-Hanging)

Housing Features

Housing Material	PA GF
Centerline (Pitch)	4 mm[.157 in]

Dimensions

Connector Height	30.3 mm[1.193 in]
Product Width	24.2 mm[.953 in]
Product Length	29.4 mm[1.157 in]
Row-to-Row Spacing	5 mm[.197 in]

Usage Conditions

Operating Temperature (Max)	140 °C[284 °F]
Operating Temperature Range	-40 – 140 °C[-40 – 284 °F]

Operation/Application

Circuit Application	Signal
---------------------	--------

Packaging Features

Packaging Method	Bag
------------------	-----

Other

Serviceable	Yes
Connector Position Assurance Capable	Yes

Product Compliance

[For compliance documentation, visit the product page on TE.com>](#)



EU RoHS Directive 2011/65/EU	Compliant
EU ELV Directive 2000/53/EC	Compliant
China RoHS 2 Directive MIIT Order No 32, 2016	No Restricted Materials Above Threshold
EU REACH Regulation (EC) No. 1907/2006	Current ECHA Candidate List: JUNE 2023 (235) Candidate List Declared Against: JUNE 2023 (235) Does not contain REACH SVHC
Halogen Content	BFR/CFR/PVC Free, but Br/Cl >900 ppm in other sources.
Solder Process Capability	Not applicable for solder process capability

Product Compliance Disclaimer

This information is provided based on reasonable inquiry of our suppliers and represents our current actual knowledge based on the information they provided. This information is subject to change. The part numbers that TE has identified as EU RoHS compliant have a maximum concentration of 0.1% by weight in homogenous materials for lead, hexavalent chromium, mercury, PBB, PBDE, DBP, BBP, DEHP, DIBP, and 0.01% for cadmium, or qualify for an exemption to these limits as defined in the Annexes of Directive 2011/65/EU (RoHS2). Finished electrical and electronic equipment products will be CE marked as required by Directive 2011/65/EU. Components may not be CE marked. Additionally, the part numbers that TE has identified as EU ELV compliant have a maximum concentration of 0.1% by weight in homogenous materials for lead, hexavalent chromium, and mercury, and 0.01% for cadmium, or qualify for an exemption to these limits as defined in the Annexes of Directive 2000/53/EC (ELV). Regarding the REACH Regulation, the information TE provides on SVHC in articles for this part number is based on the latest European Chemicals Agency (ECHA) 'Guidance on requirements for substances in articles' posted at this URL: <https://echa.europa.eu/guidance-documents/guidance-on-reach>

Compatible Parts



TE Part # 964972-1
EINZELLEITERDICHTNG



TE Part # 963531-1
BLINDSTOPFEN



TE Part # 963530-1
EINZELLEITERDICHTNG



TE Part # CAT-T4827-T273
TIMER, RECEPTACLE AND TAB

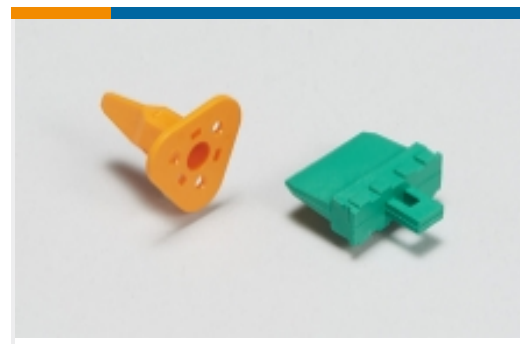


TE Part # 2324104-1
6 POSITIONS E.G.R. WIRE TO WIRE
HSG ASSY

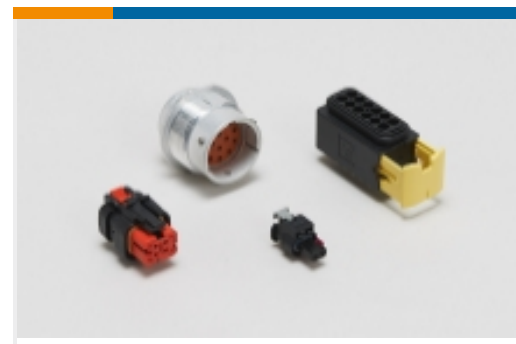
Also in the Series | Micro Timer II



Automotive Connector Caps & Covers (2)



Automotive Connector Locks & Position Assurance(1)



Automotive Housings(34)



Automotive Terminals(30)

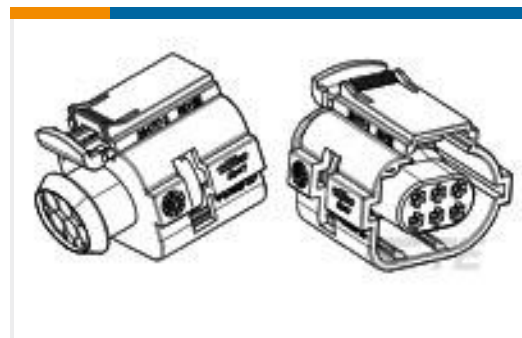


Connector Seals & Cavity Plugs(1)

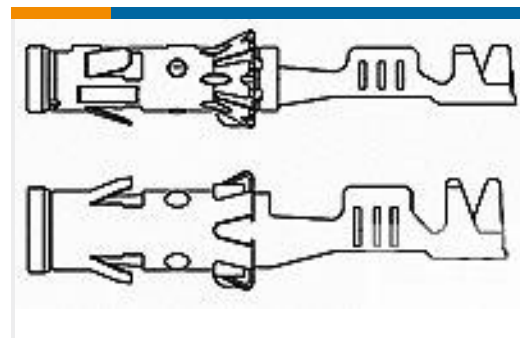


Insertion & Extraction Tools(4)

Customers Also Bought



TE Part #284716-4
6 P. REC CONN X UEGO CONN



TE Part #962954-2
4MM BUCHS-KONTAKT



TE Part #1-1801175-1
2W RECEPTACLE HP CONNECTOR
BLACK



TE Part #1801175-6
2W RECEPTACLE HP CONNECTOR
BROWN



TE Part #1897014-2
MT-2/JPT SLD 26P PLUG COVER



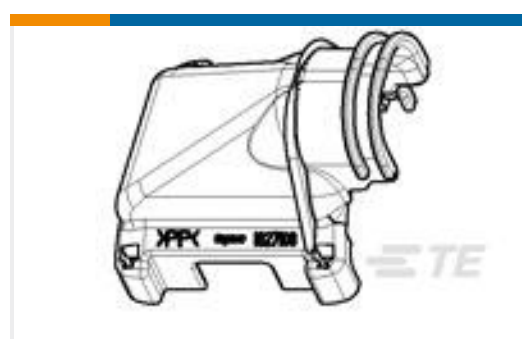
TE Part #2098866-1
PLUG ASSY, 96P GPECIII KEY H L



TE Part #284818-1
1 POS CANDELETTE



TE Part #3-2322122-2
HVP800 2P HEADER ASSY



TE Part #1827108-1
025/040 44POS COVER A-TYPE



TE Part #1813344-1
7p 1.5mm socket housing assy' coding
A

Documents



Product Drawings

6 POS REC. CONNECTOR FOR MTII

English

CAD Files

3D PDF

3D

Customer View Model

[ENG_CVM_CVM_284716-3_D.2d_dxf.zip](#)

English

Customer View Model

[ENG_CVM_CVM_284716-3_D.3d_igs.zip](#)

English

Customer View Model

[ENG_CVM_CVM_284716-3_D.3d_stp.zip](#)

English

By downloading the CAD file I accept and agree to the [Terms and Conditions](#) of use.

Datasheets & Catalog Pages

Timer Interconnection System

English

Product Specifications

Product Specification

English

Instruction Sheets

Instruction Sheet (non U.S.)

English