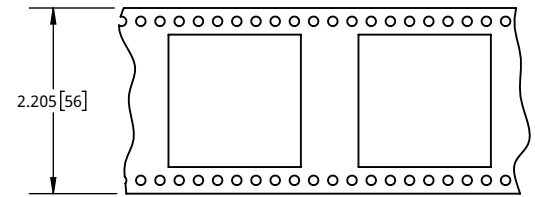
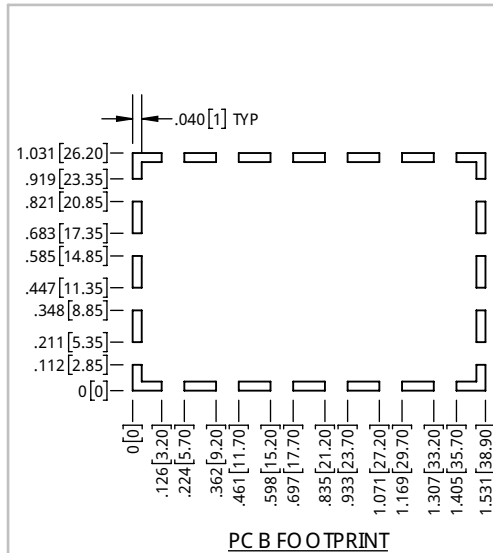
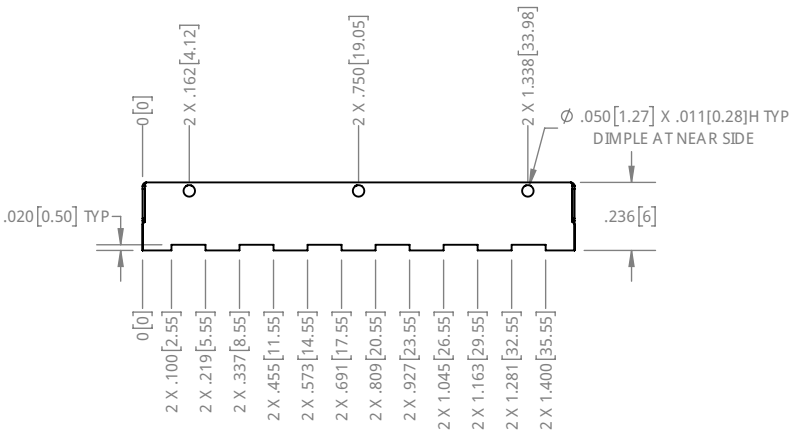
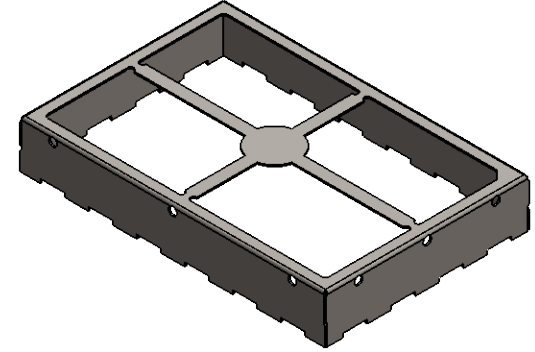
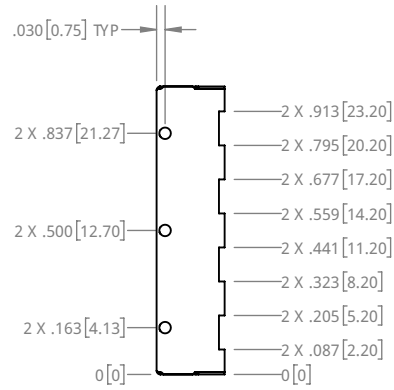
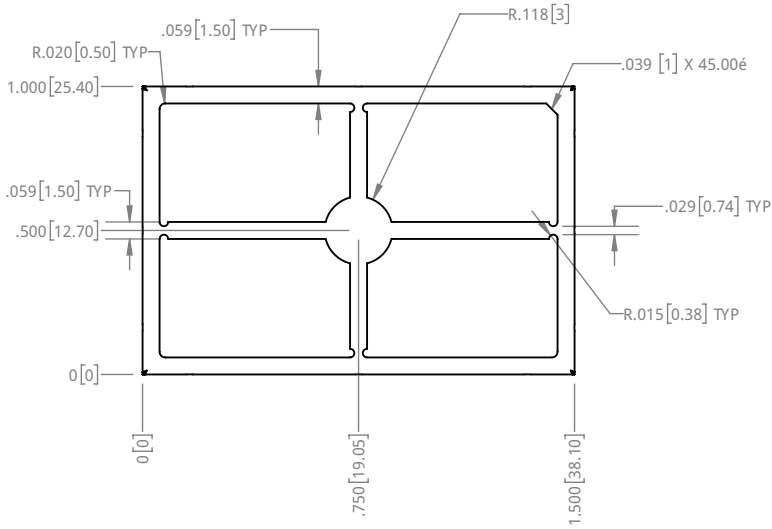


NOTES:

1. MATERIAL: 0.008" TIN PLATED STEEL PER ASTM A623/A624
2. PARTS PER REEL: 200



PROPRIETARY NOTICE: THESE DRAWINGS, LISTS OR SPECIFICATIONS ARE THE CONFIDENTIAL INFORMATION AND/OR TRADE SECRET OF 3G SHIELDING SPECIALTIES, P., AND SHALL REMAIN THE PROPERTY OF 3G SHIELDING SPECIALTIES, P. ANY REPRODUCTION, TRANSMISSION, OR DISSEMINATION OF THESE DRAWINGS, LISTS OR SPECIFICATIONS SHALL NOT BE REPRODUCED, TRANSMITTED, USED FOR THE DESIGN, MANUFACTURE OR SALE OF EQUIPMENT OR USED FOR ANY OTHER PURPOSE OTHER THAN EVALUATION.

UNLESS OTHERWISE SPECIFIED
U/M TOLERANCE ±0.005
INCHES

DATE 16-01-26



PART NUMBER
PIC-S-205F

REV.
0

DESCRIPTION SHIELD FRAME

SCALE 1.5:1 SHEET 1 OF 1