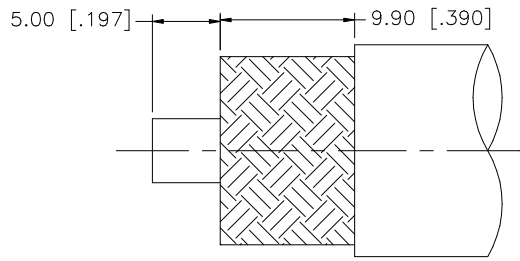
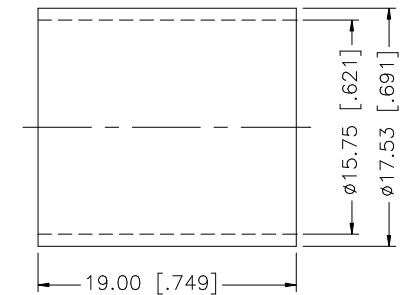
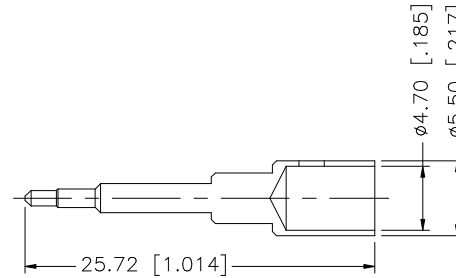
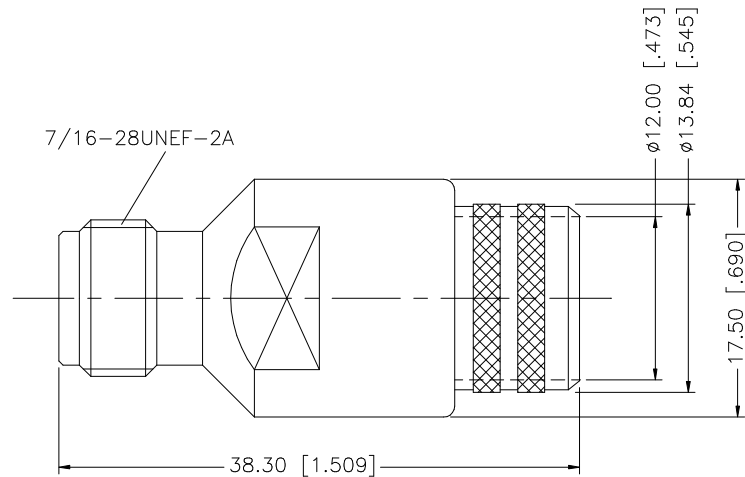


REV.	DATE	DESCRIPTION
A	06/15/99	MODIFY DESCRIPTION
B	11/14/00	UPDATE PART DIMENSIONS
C	02/19/07	UPDATE DRAWING FORMAT



RECOMMENDED CABLE STRIPPING DIMENSIONS



NOTES:

1. CONSULT AMPEHNOL CONNEX FOR CRIMP TOOL INFORMATION.

QTY	FINISH	MATERIAL	DESCRIPTION
1	NICKEL	BRASS	BODY
1	GOLD	BRASS	CONTACT PIN
1	NICKEL	COPPER	FERRULE

UNLESS OTHERWISE SPECIFIED DIMENSIONS ARE IN MILLIMETERS. DIMENSIONS IN [] ARE IN INCHES AND FOR CUSTOMER REFERENCE ONLY.

UNLESS OTHERWISE SPECIFIED TOLERANCES FOR MILLIMETERS ARE:
0.5 - 8mm ± 0.20mm
8 - 30mm ± 0.40mm
30 - 120mm ± 0.50mm

UNLESS OTHERWISE SPECIFIED TOLERANCES FOR INCHES ARE:
.020 - .315 ± 0.007"
.315 - 1.180 ± 0.015"
1.180 - 4.724 ± 0.020"

DO NOT SCALE DRAWING

APPROVALS	DATE
DRAWN G.R.S.	02/19/07
CHECKED	
ISSUED	
SHEET 1 OF 1	
CAD FILE	C:/122/122418RP.DWG

Amphenol Connex

PART DESCRIPTION TNC CRIMP JACK - REVERSE POLARIZED (FOR LMR 600 CABLE)			
PART NO. 122418RP			
DWG. NO.	122418RP.DWG	REV.	C
SIZE	A	SCALE	NA