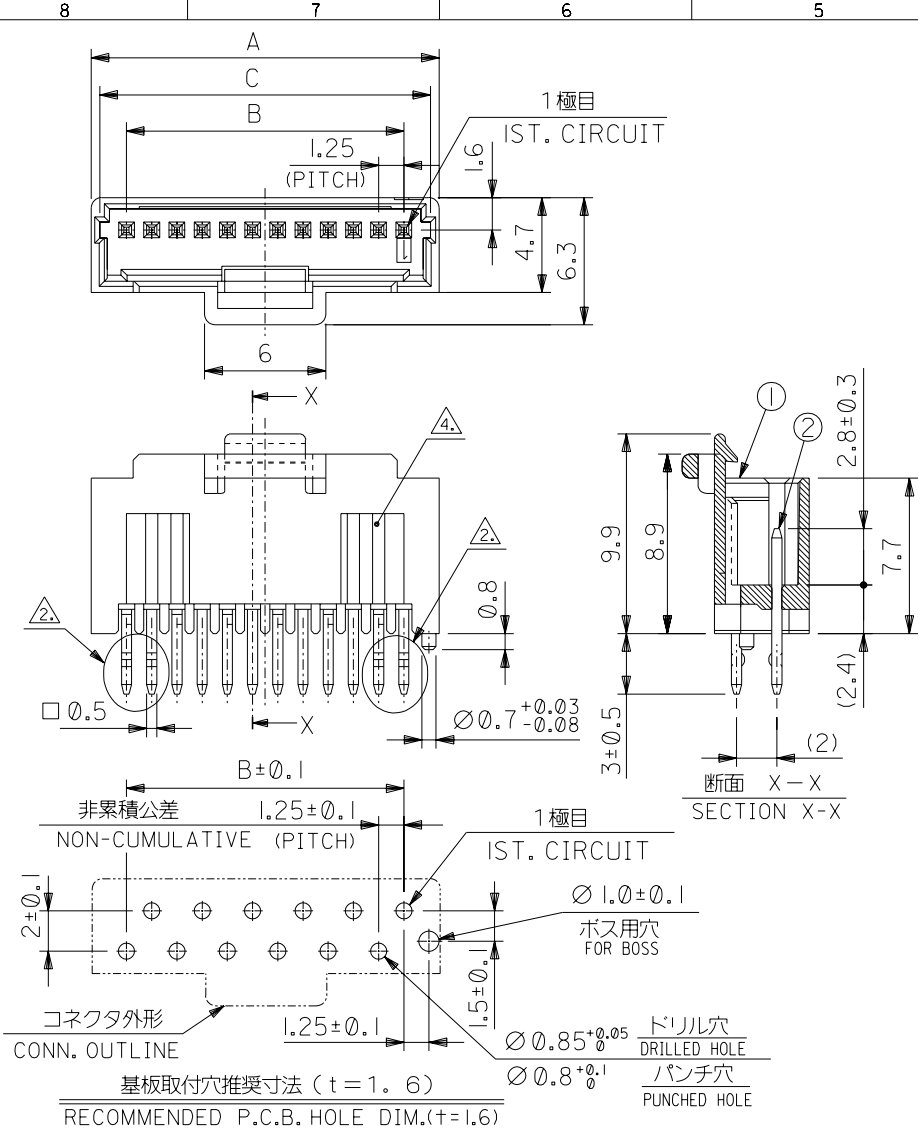


DWG. NO. SD-55447-012



番号 NO.	名称 NAME	原料 MATERIAL	数量 QTY	仕上げ FINISH
①	ウエハー WEFAR	ナイロン NYLON	I	UL94V-0
②	ピン PIN	黄銅 BRASS	N	全体錫メッキ PRE-TINNED

注) NOTES 1.原料および仕上げ: 表参照 MATERIAL AND FINISH: SEE CHART  
 △キフは、両サイド4ピンに適用。 TO BE APPLICABLE 4 PIN OF BOTH SIDE.  
 △製品番号 MATERIAL NO. 55447-\*\*\*8\*

極数 CIRCUIT SIZE (02 ~ 20)  
 無鉛メッキ&ショートアームロック LEAD FREE&SHORT ARM LOCK  
 色 COLOR 0:自然色 NATURAL

△側面の溝は、10極以上に適用。 SIDE DITCHES MUST BE APPLICABLE OVER 10 CIRCUIT SIZE.

26.4	23.75	27.25	20	55447-208*
25.15	22.5	26	19	-198*
23.9	21.25	24.75	18	-188*
22.65	20	23.5	17	-178*
21.4	18.75	22.25	16	-168*
20.15	17.5	21	15	-158*
18.9	16.25	19.75	14	-148*
17.65	15	18.5	13	-138*
16.4	13.75	17.25	12	-128*
15.15	12.5	16	11	-118*
13.9	11.25	14.75	10	-108*
12.65	10	13.5	9	-098*
11.4	8.75	12.25	8	-088*
10.15	7.5	11	7	-078*
8.9	6.25	9.75	6	-068*
C	B	A	極数 CIRCUIT SIZE	△製品番号 MATERIAL NO.

無鉛 LEAD FREE

DO NOT SCALE DRAWING

EC NO.	DRWN:	CHK:	APPR:
EC NO.	DRWN:	CHK:	APPR:
EC NO.	DRWN:	CHK:	APPR:
EC NO.	DRWN:	CHK:	APPR:
EC NO.	DRWN:	CHK:	APPR:
0	DRWN:	CHK:	APPR:

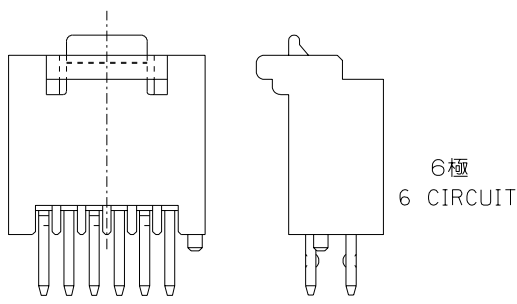
新規格作成 RELEASED  
 EC NO. J2003-2786  
 DRWN: N. YOSHIDA  
 CHK: M. YAGI '03/05/01  
 APPR: Y. ITO

DESCRIPTION	MATERIAL 材料	FINISH 仕上げ	WIRE RANGE 適用電線範囲	INS. RANGE 被覆外径
SEE CHART	SEE CHART	SEE CHART	—	—

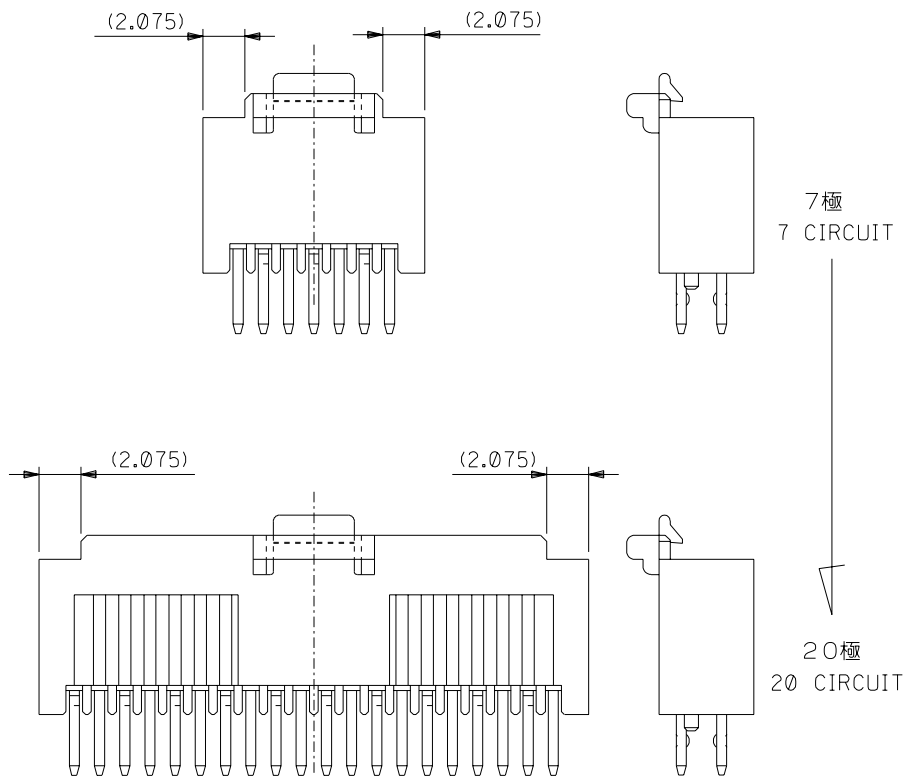
GENERAL TOLERANCES: (UNLESS SPECIFIED) 一般公差	SCALE 4-1	DESIGN UNITS <input checked="" type="checkbox"/> mm <input type="checkbox"/> INCH	THIRD ANGLE PROJECTION <input checked="" type="checkbox"/> <input type="checkbox"/>
10 UNDER 未滿	±0.2	DRAWN BY & DATE N. YOSHIDA '03/02/07	TITLE: Mini MiII I-ROW WAFER ASS'Y (Sn) SHORT ARM LOCK TYPE
10 OVER 30 UNDER 未滿	±0.25	CHECKED BY & DATE Y. ITO	MOLEX MOLEX INCORPORATED
30 OVER 以上	±0.3	APPROVED BY & DATE Y. ITO	MATERIAL NO. SEE CHART
ANGLE 角度	±3°	CAD FILENAME 55447012.S01	DRAWING NO. SD-55447-012

DIMENSIONS:	SHT	REV
<input type="checkbox"/> mm <input type="checkbox"/> INCH	<input type="checkbox"/> mm ONLY	REVISE ON CAD ONLY
THIS DRAWING CONTAINS INFORMATION THAT IS PROPRIETARY TO MOLEX INCORPORATED AND SHOULD NOT BE USED WITHOUT WRITTEN PERMISSION.		
SIZE B		1 OF 2

55447012.S01 A



6極のハウジング形状  
SHAPE OF HS'G 6 CIRCUIT



7極~20極のハウジング形状  
SHAPE OF HS'G FROM 7 TO 20 CIRCUIT

無鉛  
LEAD FREE

EC NO. DRWN: CHK: APPR:	EC NO. DRWN: CHK: APPR:	EC NO. DRWN: CHK: APPR:	EC NO. DRWN: CHK: APPR:	SEE SHEET 1 OF 2 EC NO. DRWN: CHK: APPR:	DESCRIPTION MATERIAL 材料 SEE SHEET 1 OF 2 FINISH 仕上げ SEE SHEET 1 OF 2 WIRE RANGE 適用電線範囲 — INS. RANGE 被覆外径 —	GENERAL TOLERANCES: (UNLESS SPECIFIED) 一般公差	SCALE 4-1	DESIGN UNITS <input checked="" type="checkbox"/> mm <input type="checkbox"/> INCH	THIRD ANGLE PROJECTION <input checked="" type="checkbox"/> mm <input type="checkbox"/> INCH	DIMENSIONS: <input type="checkbox"/> mm <input type="checkbox"/> INCH <input checked="" type="checkbox"/> mm ONLY	SHT REVISE ON CAD ONLY	REV 	
						10 UNDER 未滿	±0.2	DRAWN BY & DATE N.YOSHIDA'03/02/07	TITLE: Mini MiII I-ROW WAFER ASS'Y (Sn) SHORT ARM LOCK TYPE MOLEX INCORPORATED				
						10 OVER 30 UNDER 以上 未滿	±0.25	CHECKED BY & DATE 					
						30 OVER 以上	±0.3	APPROVED BY & DATE 					
						ANGLE 角度	±3°	CAD FILENAME 55447012.S02	MATERIAL NO. SEE CHART	DRAWING NO. SD-55447-012	SHEET NO. 2	THIS DRAWING CONTAINS INFORMATION THAT IS PROPRIETARY TO MOLEX INCORPORATED AND SHOULD NOT BE USED WITHOUT WRITTEN PERMISSION.	SIZE B