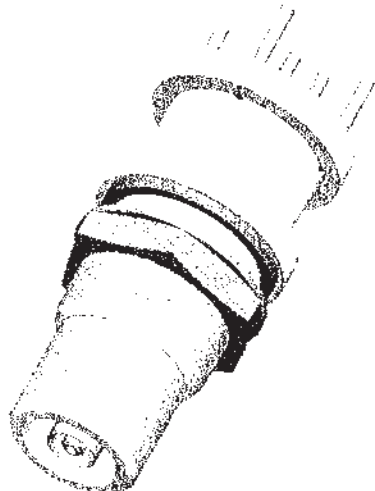
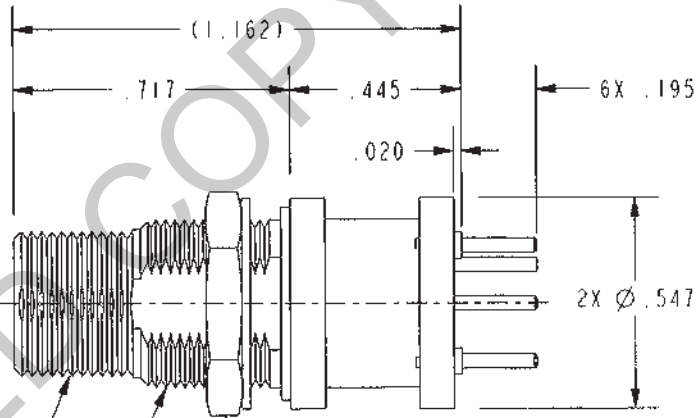
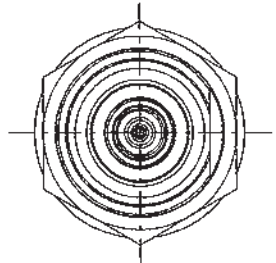


DATA CONTAINED IN THIS DOCUMENT IS PROPRIETARY TO TROMPETER ELECTRONICS INC AND SHALL NOT BE DISCLOSED, COPIED OR USED FOR PROCUREMENT OR MANUFACTURE WITHOUT EXPRESS WRITTEN PERMISSION.

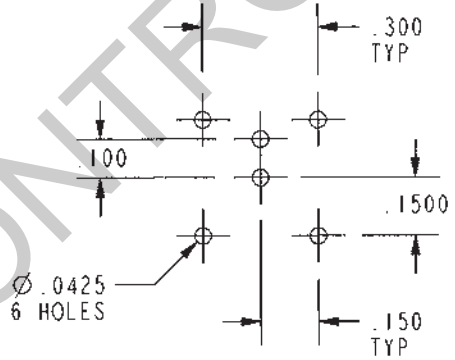
REVISIONS			
REV	DESCRIPTIONS	DATE	APPROVED
B	SEE ECO # 16337	6-12-07	(D.Rambo)



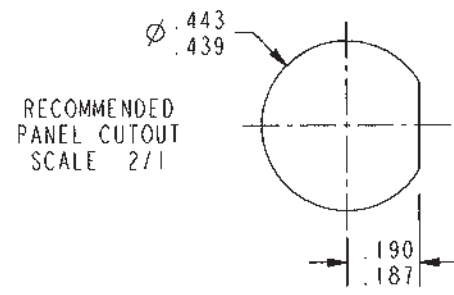
RED INDICATES ORIGINAL



.375-32UNEF-2A
 .4375-28UNEF-2A
 .500 HEX NUT



RECOMMENDED MTG HOLE PATTERN SCALE 2/1



RECOMMENDED PANEL CUTOUT SCALE 2/1

- MAX PANEL THICKNESS .250
- FINISH-
 BODY: TFS-1A (NICKEL)
 CONDUCTORS: TFS-1B (GOLD)
 LEGS: TFS-1T (TIN 90/10)
- SUBMINIATURE TRS REAR MOUNT PC BOARD BULKHEAD RECEPTACLE

NOTES: UNLESS OTHERWISE SPECIFIED.

INTERPRET DRAWING PER MIL-STD-100. DIMENSIONS ARE IN INCHES AND INCLUDE FINISH THICKNESS UNLESS OTHERWISE SPECIFIED.		TOL: UNLESS SPECIFIED. .XX ± .02 .XXX ± .010 ANGLE ± 1°		<p>a cinch connectivity solutions brand</p>	
DRW: J. CARPENTER	03-20-07	MATERIAL:	---		
CHK: [Signature]	6/8/07	FINISH:	SEE NOTE 2	SIZE: A	CAGE CODE: 14949
APPROVED: [Signature]	6/11/07	DRAWING NO.:	3-0317	REV.:	B
NEXT ASSY:	PROT FILE NO. 3-0317	DO NOT SCALE DWG	SCALE: 2/1	DATE: 10-27-03	SHEET: 1C