

MATERIALS AND FINISHES

BODY, CRIMP TUBE, SLEEVE, RETAINING RING
BRASS, PLATED NICKEL

COUPLING NUT
ZINC, PLATED NICKEL

WAVE WASHER
BERYLLIUM COPPER, PLATED NICKEL

INSULATOR
TEFLON

CONTACT
PHOSPHOR BRONZE, PLATED GOLD

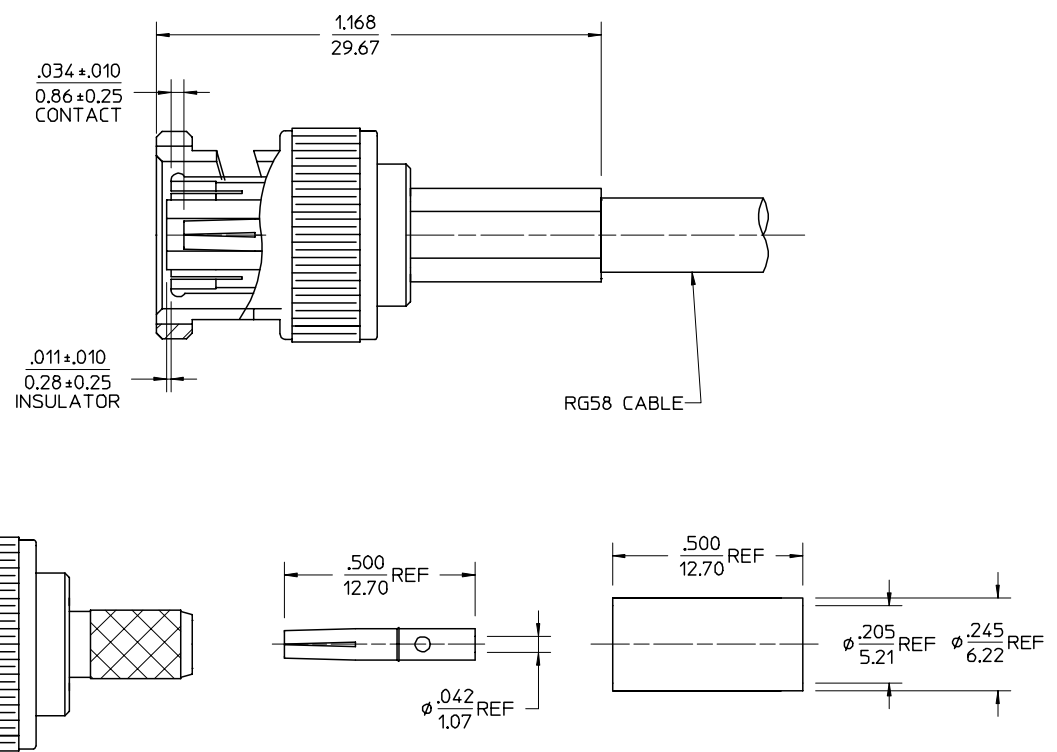
HEX CRIMP:
CENTER CONTACT: .068 HEX
CRIMP TUBE: .213 HEX

CABLE ASSEMBLY INSTRUCTIONS:
AS-89678-4700

BNC PLUG
REVERSE POLARITY
INTERFACE

PACKAGING:
BULK PACK CONNECTORS 100 PER BAG.
BULK PACK CONTACTS 100 PER BAG.
BULK PACK CRIMP TUBES 100 PER BAG.
OVER BAG INTO ONE BAG.

PART # 73171-1930



- UNLESS OTHERWISE SPECIFIED DIMS ARE INCHES AND ANGLES ARE DEGREES.
- ✓ 63 ALL OVER.
 - NO CHATTER OR NON-UNIFORM SURFACE FINISH ALLOWED.
 - PARTS TO BE FREE OF BURRS & SHARP EDGES .005 MAX BREAK.
 - EXTERNAL THREADS TO BE ROLLED OR SINGLE POINT.
 - DIAMETERS TO BE CONCENTRIC WITHIN .003 TIR.

QUALITY SYMBOLS
MAJOR
CRITICAL

GENERAL TOLERANCES: (UNLESS SPECIFIED)	
mm	INCH
4 PLACES	± .0005
3 PLACES	± .005
2 PLACES	± .01
1 PLACE	± .1
ANGULAR: ±2°	
DRAFT WHERE APPLICABLE MUST REMAIN WITHIN DIMENSIONS	

SCALE	DESIGN UNITS
	<input type="checkbox"/> mm <input checked="" type="checkbox"/> INCH
DRAWN BY & DATE AZR 05/15/03	
CHECKED BY & DATE SSS 09/11/03	
APPROVED BY & DATE GMH 09/11/03	
CAD FILENAME	

THIRD ANGLE PROJECTION		DIMENSIONS: <input type="checkbox"/> mm <input checked="" type="checkbox"/> INCH <input type="checkbox"/> mm ONLY	
TITLE: BNC PLUG, STRAIGHT, REVERSE POLARITY, 50 OHM, FOR RG58 CABLE BNC-PC			
MOLEX MOLEX INCORPORATED			
MATERIAL NO. SEE NOTE	DRAWING NO. SD-73171-193		SHEET NO. 1 of 1

1	A
SHT	REV
REVISE ON CAD ONLY	
THIS DRAWING CONTAINS INFORMATION THAT IS PROPRIETARY TO MOLEX INCORPORATED AND SHOULD NOT BE USED WITHOUT WRITTEN PERMISSION.	
SIZE B	