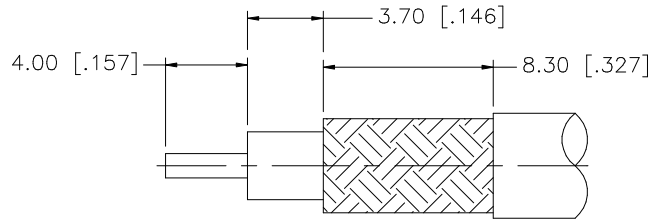
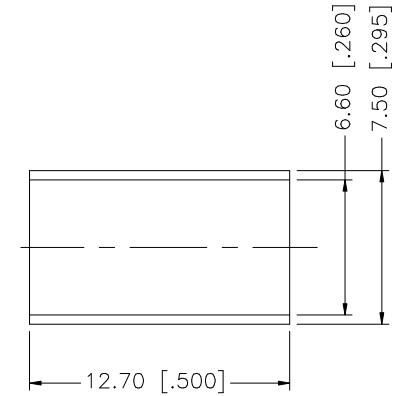
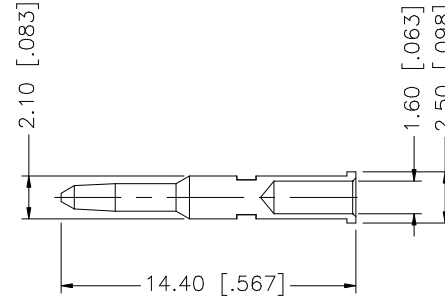
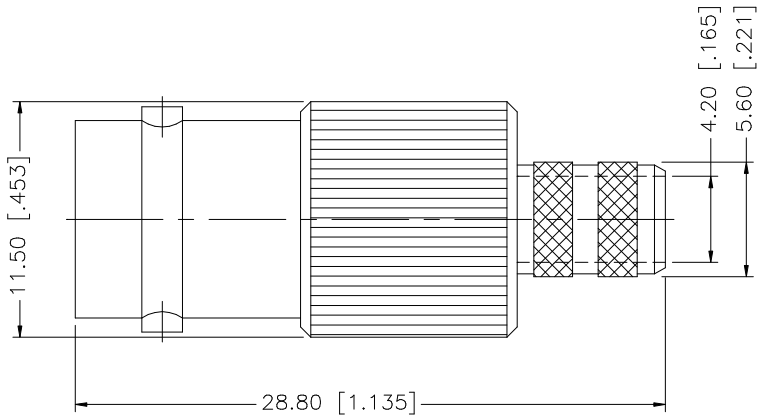


REV.	DATE	DESCRIPTION
NC	01/08/07	INITIAL RELEASE



RECOMMENDED  
CABLE STRIPPING DIM'S



NOTE:

1. CRIMPED FERRULE HEX CRIMP SIZE .255
2. CRIMPED CONTACT PIN HEX CRIMP SIZE .068"

8				<small>UNLESS OTHERWISE SPECIFIED DIMENSIONS ARE IN MILLIMETERS. DIMENSIONS IN [ ] ARE IN INCHES AND FOR CUSTOMER REFERENCE ONLY.</small>  <small>UNLESS OTHERWISE SPECIFIED TOLERANCES FOR MILLIMETERS ARE:  0.5 - 8mm ± 0.20mm  8 - 30mm ± 0.40mm  30 - 120mm ± 0.50mm</small>  <small>UNLESS OTHERWISE SPECIFIED TOLERANCES FOR INCHES ARE:  .020 - .315 = ± 0.007"  .315 - 1.180 = ± 0.015"  1.180 - 4.724 = ± 0.020"</small>	APPROVALS	DATE	<h1 style="color: blue;">Amphenol Connex</h1>							
7					DRAWN	G.R.S.		01/08/07						
6					CHECKED									
5					ISSUED									
4	FERRULE	COPPER	NICKEL		1	SHEET		1 OF 1						
3	CONTACT PIN	BRASS	GOLD	1	PART DESCRIPTION		<b>BNC REVERSE POLARITY CRIMP JACK (FOR RG-8X, LMR240)</b>							
2	INSULATOR	TEFLON	NATURAL	1	PART NO.			112605RP						
1	BODY	BRASS	NICKEL	1	CAD FILE		DWG. NO.	112605RP.DWG	REV.	NC	SIZE	A	SCALE	NA
	DESCRIPTION	MATERIAL	FINISH	QTY	DO NOT SCALE DRAWING		C:/112/112605RP.DWG							