

REV	DATE	DESCRIPTION	DATE	DWN	APPV
A1		REVISED PER ECO-09-021480	080CT2009	CR	DG

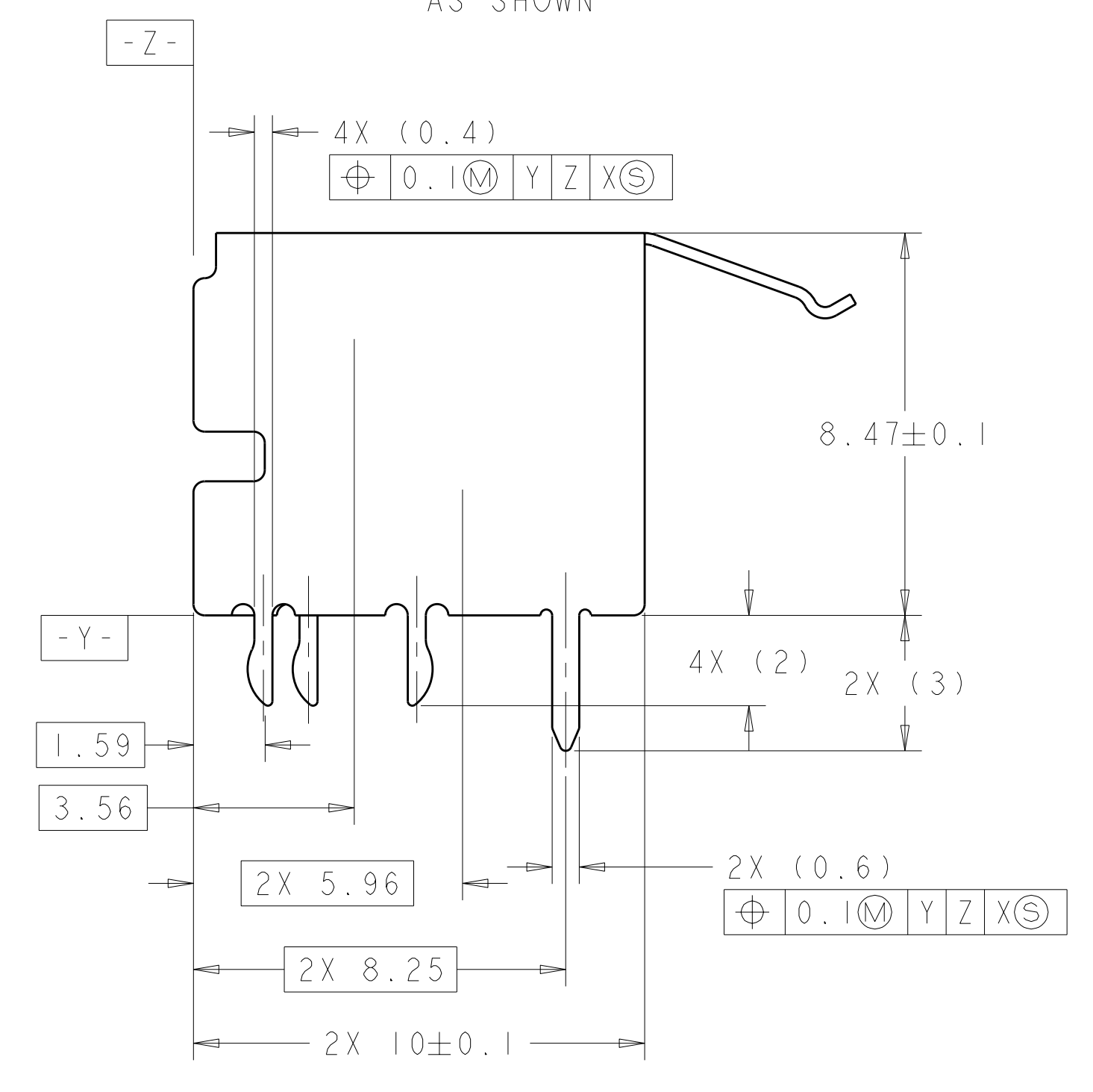
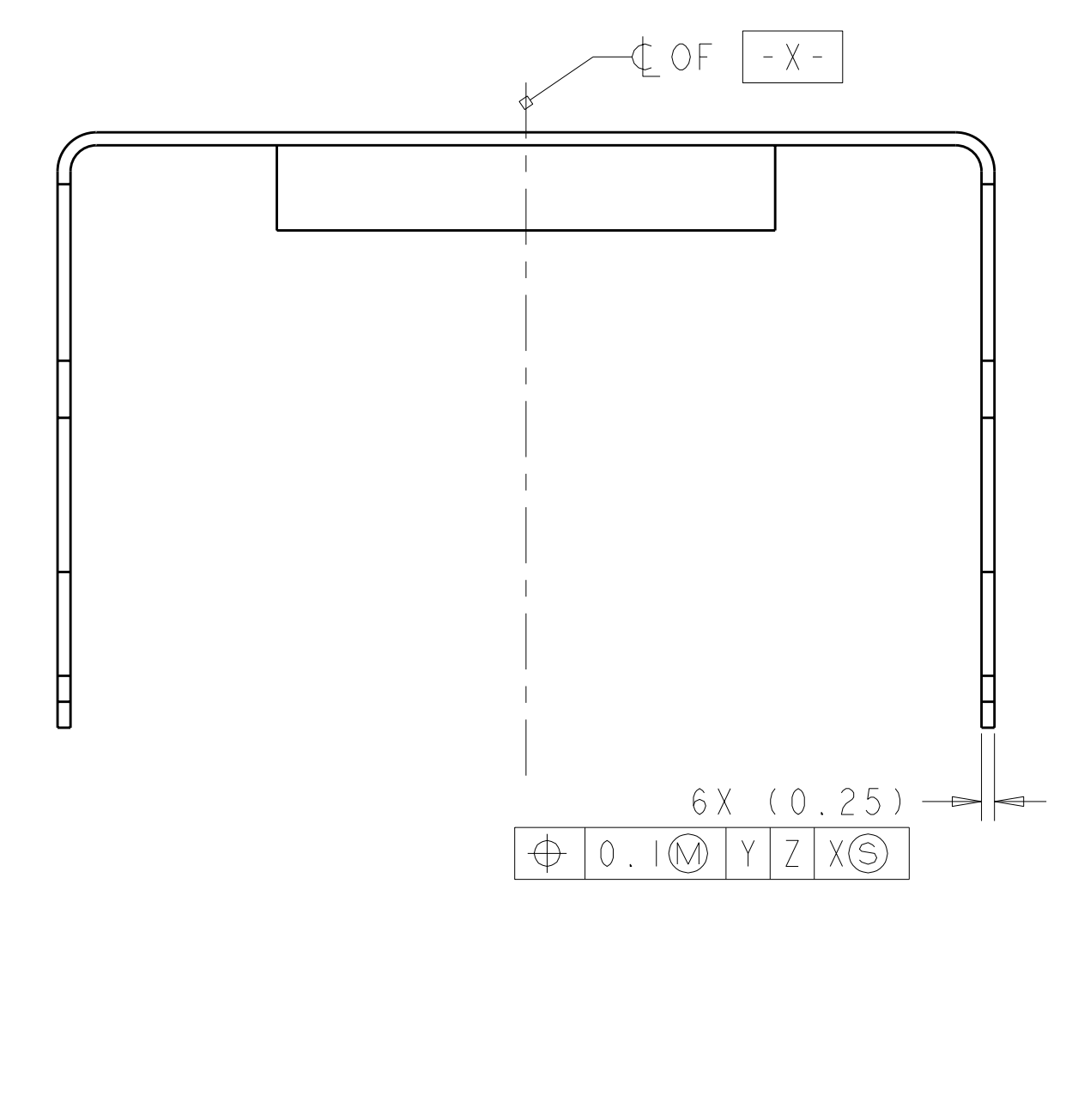
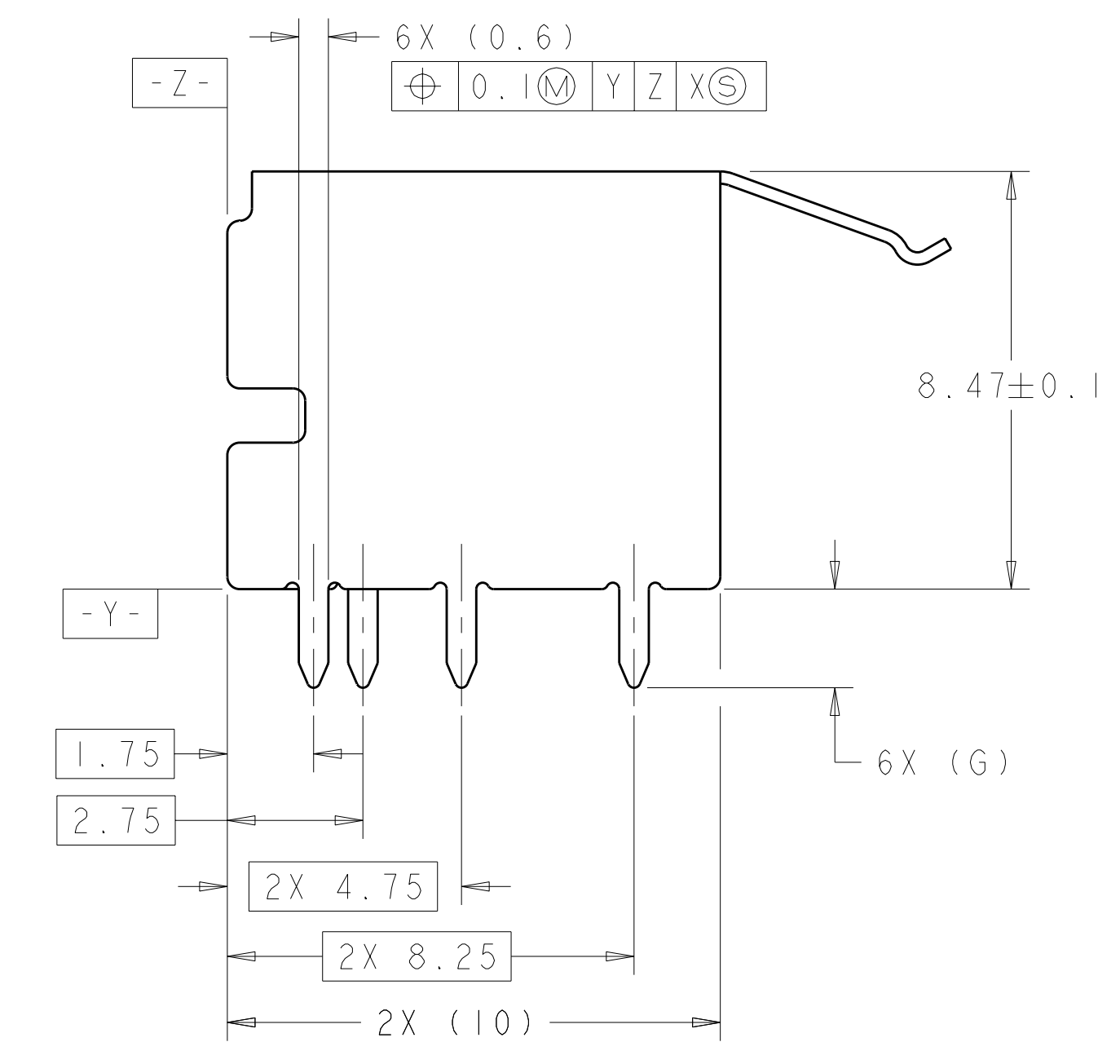
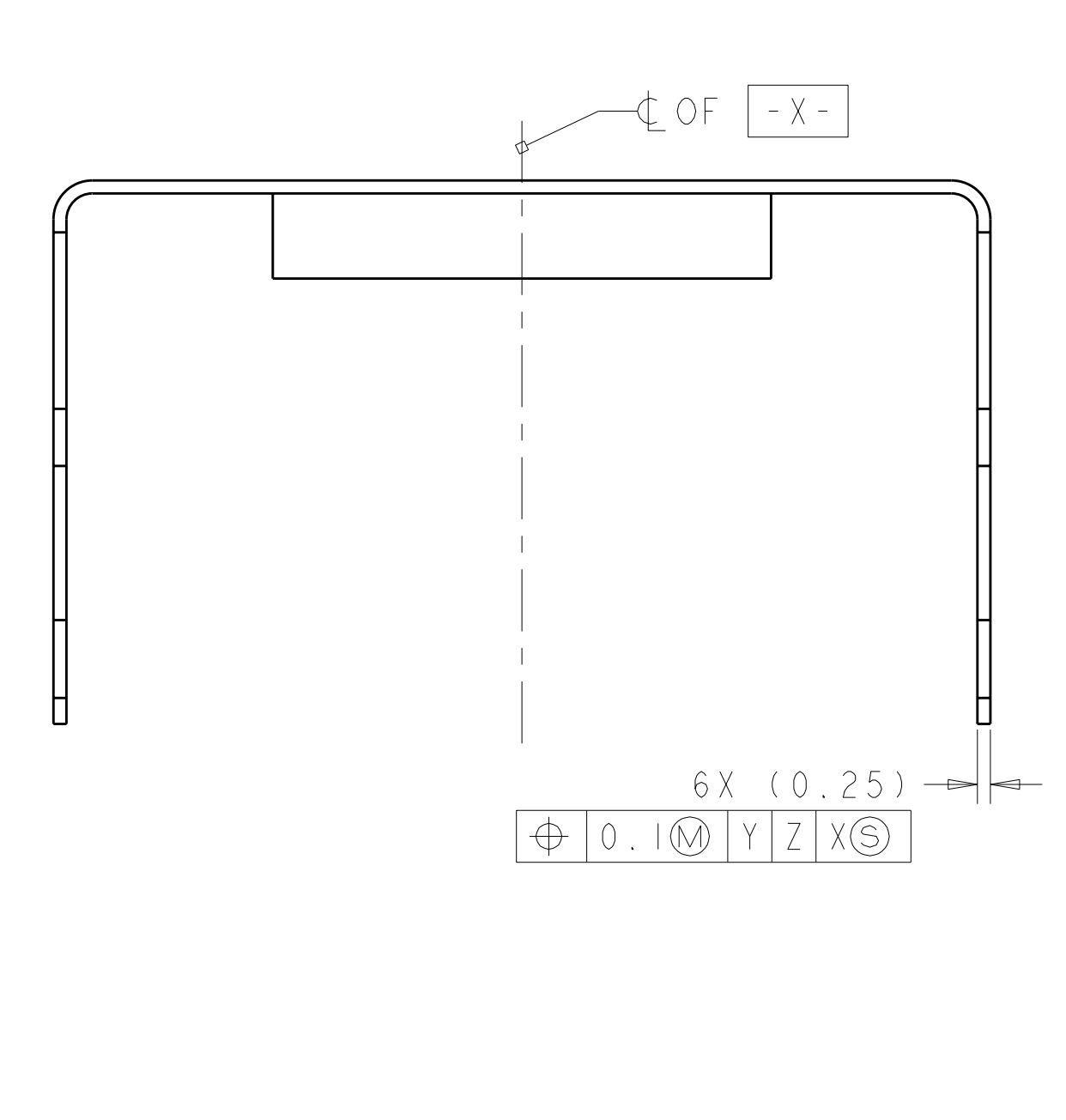
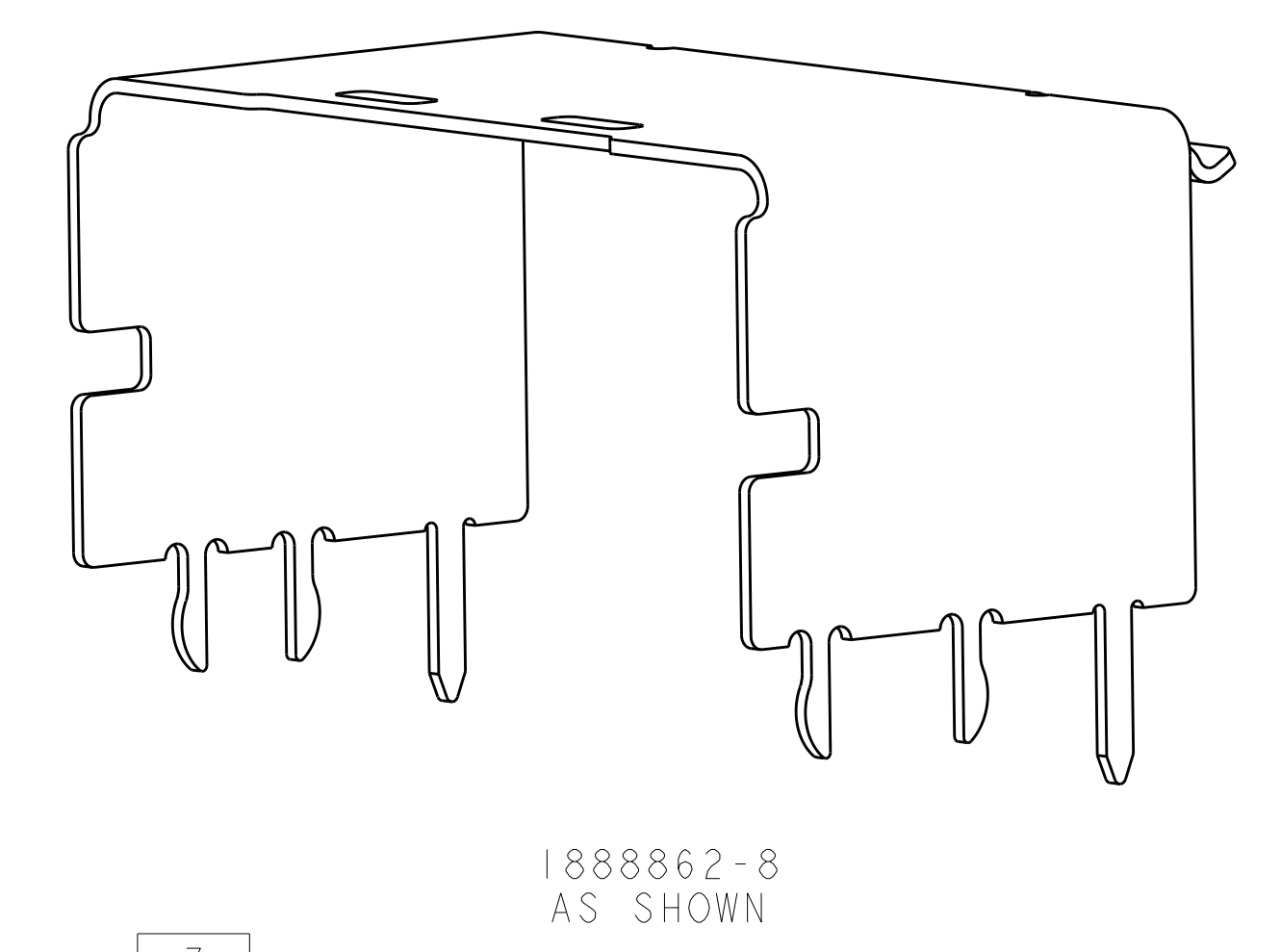
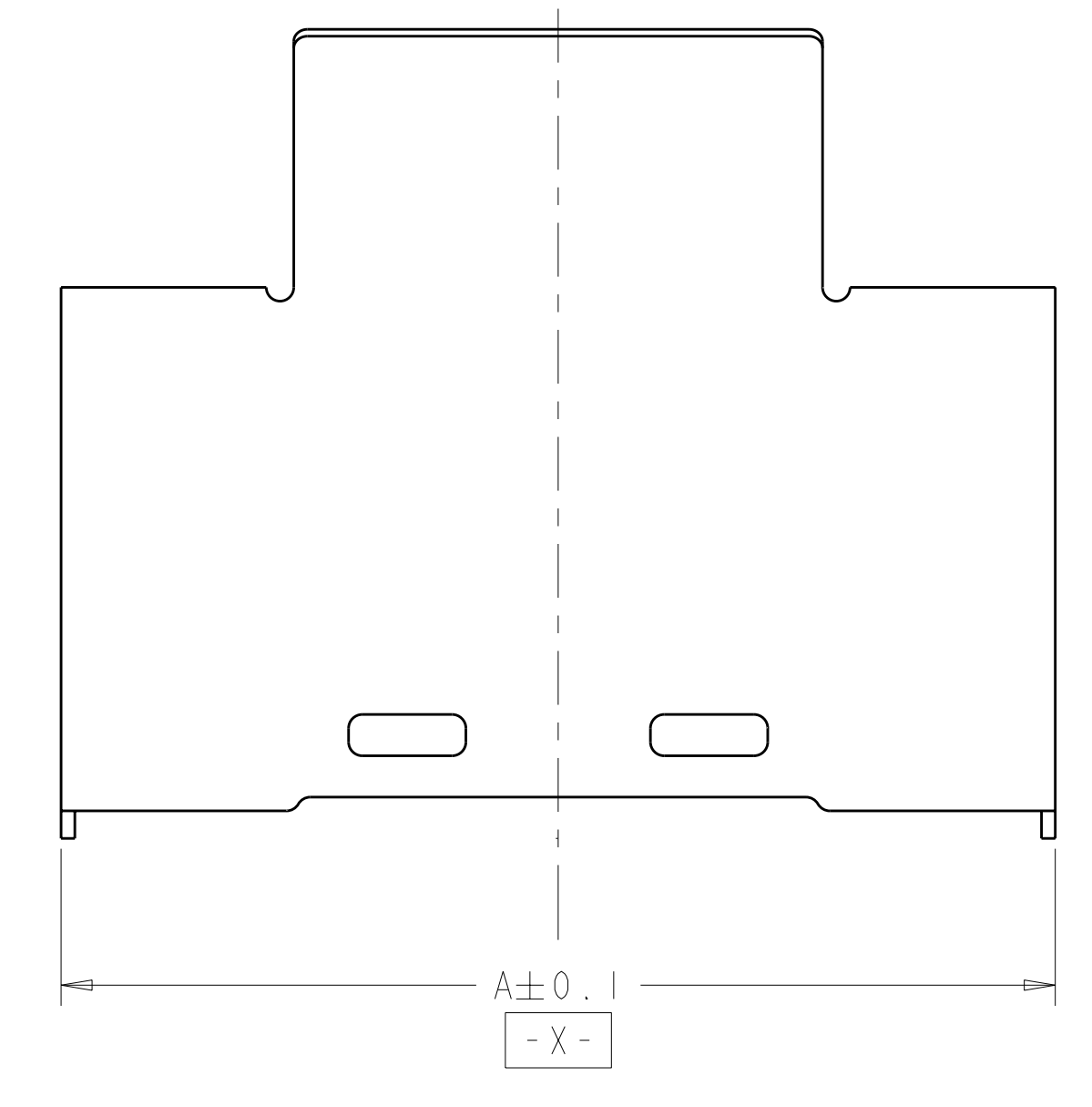
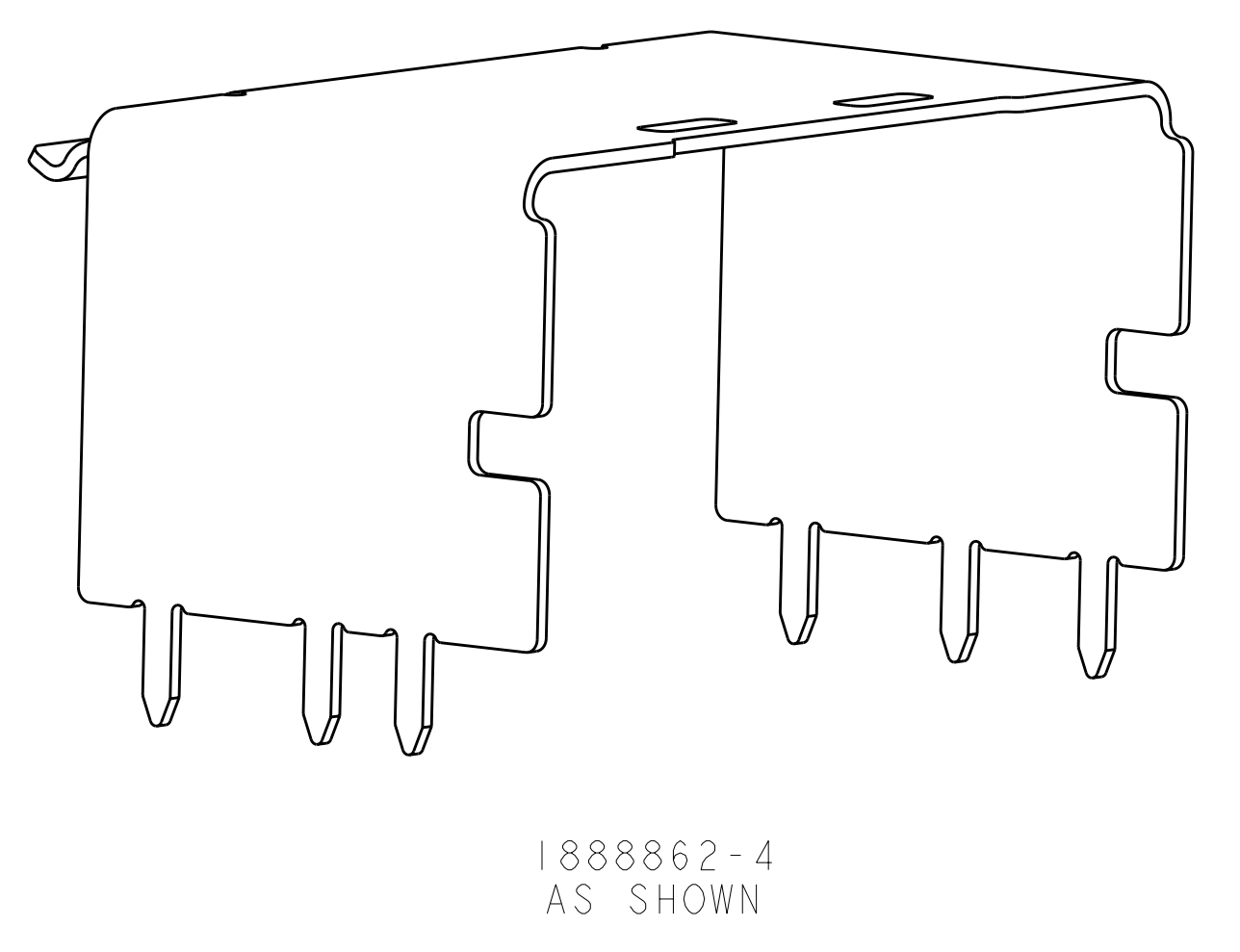
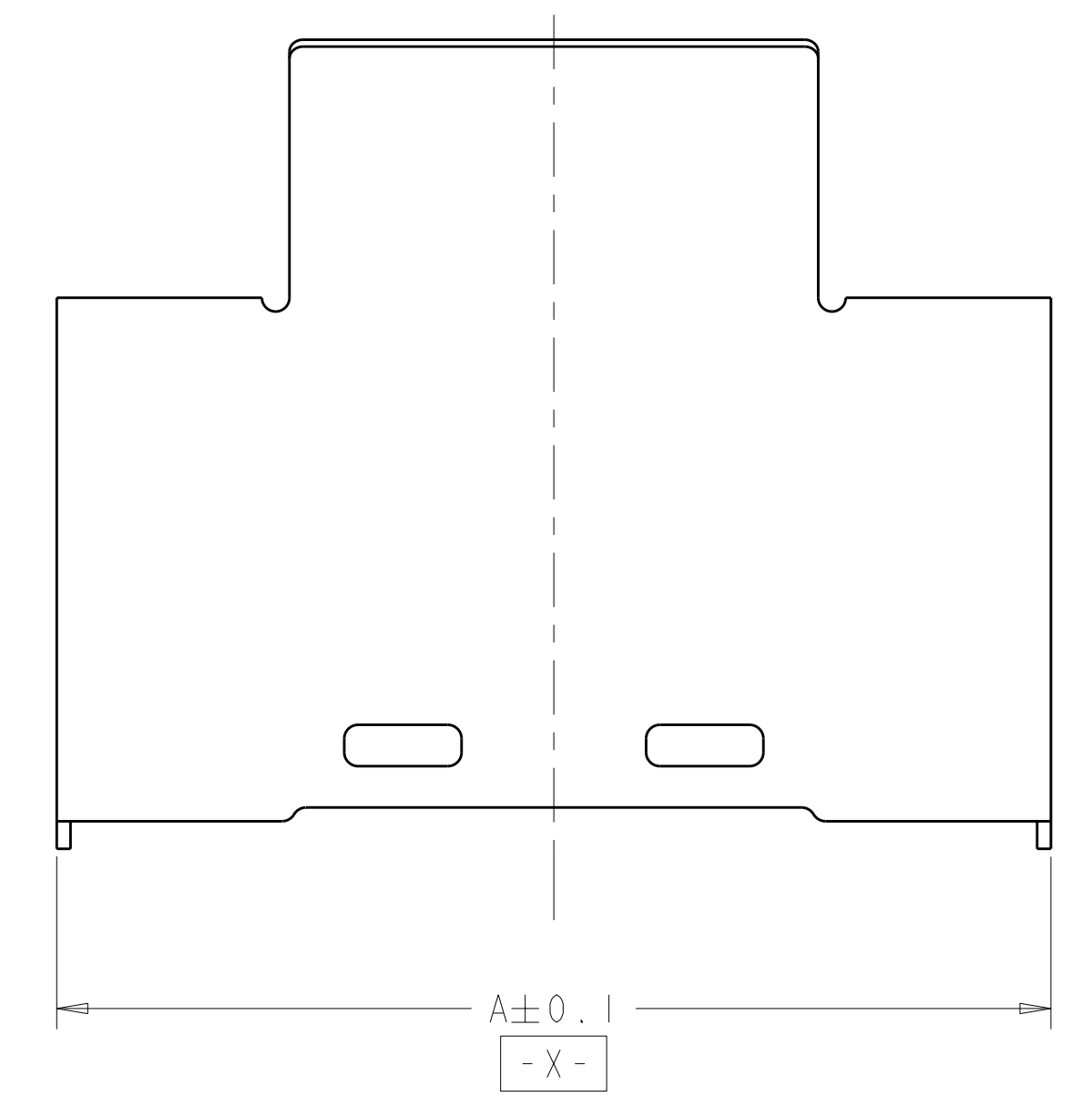


FIGURE M

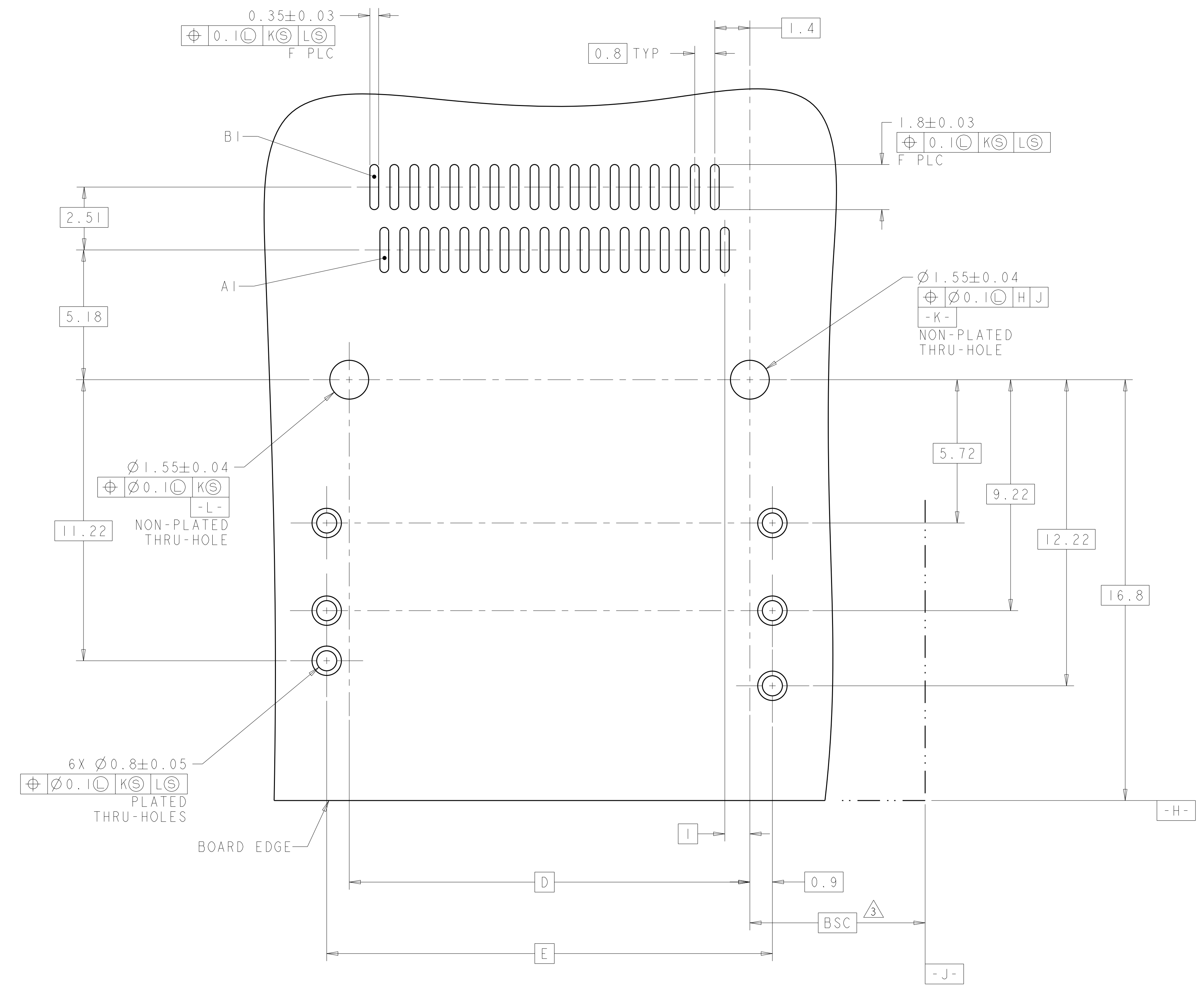
FIGURE N

- 1. MATERIAL: NICKEL-SILVER PER ASTM B 122.
- 2. SHELL ASSEMBLY TO BE USED WITH THE SURFACE MOUNT RECEPTACLE CONNECTOR PART NUMBER REFERENCED IN TABLE
- 3. DATUM AND BASIC DIMENSION ESTABLISHED BY CUSTOMER

M	1761987-2	3.5	36	17.8	16	18.05	36	I-1888862-6
M	1761987-2	2.8	36	17.8	16	18.05	36	I-1888862-2
N	1761987-2	-	36	17.8	16	18.05	36	1888862-8
M	1761987-2	2	36	17.8	16	18.05	36	1888862-4
FIGURE	CONNECTOR PART NUMBER	G	F	E	D	A	POSN	PART NUMBER

DIMENSIONS: mm TOLERANCES UNLESS OTHERWISE SPECIFIED: 0.150 ±0.1 0.300 ±0.1 0.600 ±0.1 1.200 ±0.1 2.400 ±0.1 4.800 ±0.1 9.600 ±0.1 19.200 ±0.1 38.400 ±0.1 76.800 ±0.1 153.600 ±0.1 307.200 ±0.1 614.400 ±0.1 1228.800 ±0.1 2457.600 ±0.1 4915.200 ±0.1 9830.400 ±0.1 19660.800 ±0.1 39321.600 ±0.1 78643.200 ±0.1 157286.400 ±0.1 314572.800 ±0.1 629145.600 ±0.1 1258291.200 ±0.1 2516582.400 ±0.1 5033164.800 ±0.1 10066329.600 ±0.1 20132659.200 ±0.1 40265318.400 ±0.1 80530636.800 ±0.1 161061273.600 ±0.1 322122547.200 ±0.1 644245094.400 ±0.1 1288490188.800 ±0.1 2576980377.600 ±0.1 5153960755.200 ±0.1 10307921510.400 ±0.1 20615843020.800 ±0.1 41231686041.600 ±0.1 82463372083.200 ±0.1 164926744166.400 ±0.1 329853488332.800 ±0.1 659706976665.600 ±0.1 1319413953331.200 ±0.1 2638827906662.400 ±0.1 5277655813324.800 ±0.1 10555311626649.600 ±0.1 21110623253299.200 ±0.1 42221246506598.400 ±0.1 84442493013196.800 ±0.1 168884986066393.600 ±0.1 337769972132787.200 ±0.1 675539944265574.400 ±0.1 1351079888531148.800 ±0.1 2702159777062297.600 ±0.1 5404319554124595.200 ±0.1 10808639108249190.400 ±0.1 21617278216498380.800 ±0.1 43234556432996761.600 ±0.1 86469112865993523.200 ±0.1 172938225731987046.400 ±0.1 345876451463974092.800 ±0.1 691752902927948185.600 ±0.1 1383505805855896371.200 ±0.1 2767011611711792742.400 ±0.1 5534023223423585484.800 ±0.1 11068046446847170969.600 ±0.1 22136092893694341939.200 ±0.1 44272185787388683878.400 ±0.1 88544371574777367756.800 ±0.1 177088743149554735513.600 ±0.1 354177486299109471027.200 ±0.1 708354972598218942054.400 ±0.1 1416709945196437884108.800 ±0.1 2833419890392875768217.600 ±0.1 5666839780785751536435.200 ±0.1 11333679561571503072870.400 ±0.1 22667359123143006145740.800 ±0.1 45334718246286012291481.600 ±0.1 90669436492572024582963.200 ±0.1 181338872985144049165926.400 ±0.1 362677745970288098331852.800 ±0.1 725355491940576196663705.600 ±0.1 1450710983881152393327411.200 ±0.1 2901421967762304786654822.400 ±0.1 5802843935524609573309644.800 ±0.1 11605687871049219146619289.600 ±0.1 23211375742098438293238579.200 ±0.1 46422751484196876586477158.400 ±0.1 92845502968393753172954316.800 ±0.1 18569100593678750634590863.600 ±0.1 37138201187357501269181727.200 ±0.1 74276402374715002538363454.400 ±0.1 14855280474943005067672690.800 ±0.1 29710560949886010135345381.600 ±0.1 59421121899772020270690763.200 ±0.1 118842243799544040541381526.400 ±0.1 237684487599088081082763052.800 ±0.1 475368975198176162165526105.600 ±0.1 950737950396352324331052211.200 ±0.1 1901475900792704648662104422.400 ±0.1 380295180158540929732420884.800 ±0.1 760590360317081859464841769.600 ±0.1 1521180720634163718929683539.200 ±0.1 3042361441268327437859367078.400 ±0.1 6084722882536654875718734156.800 ±0.1 12169445765073309751437463113.600 ±0.1 24338891530146619502874926227.200 ±0.1 48677783060293239005749852454.400 ±0.1 97355566120586478011499104908.800 ±0.1 19471113224117295602299820981.600 ±0.1 38942226448234591204599641963.200 ±0.1 77884452896469182409199283926.400 ±0.1 15576890579293836481839857885.200 ±0.1 31153781158587672963679715770.400 ±0.1 62307562317175345927359431540.800 ±0.1 124615124634350691854718863081.600 ±0.1 24923024926870138370943772616.300 ±0.1 49846049853740276741887545232.600 ±0.1 99692099707480553483775100465.200 ±0.1 19938419941496110696755020093.000 ±0.1 39876839882992221393510040186.000 ±0.1 79753679765984442787020080372.000 ±0.1 159507359531968885574040160744.000 ±0.1 319014719063937771148080321488.000 ±0.1 638029438127875542286160642976.000 ±0.1 1276058876255751084572321285952.000 ±0.1 2552117752511502169144642571904.000 ±0.1 5104235505023004338289285143808.000 ±0.1 10208471010046008676578570287616.000 ±0.1 20416942020092017353157140575232.000 ±0.1 40833884040184034706314281150464.000 ±0.1 81667768080368069412628562300928.000 ±0.1 163335536160736138825257124601856.000 ±0.1 326671072321472277650514249203712.000 ±0.1 653342144642944555301028498407424.000 ±0.1 1306684289285889110602056996814848.000 ±0.1 2613368578571778221204113993629696.000 ±0.1 5226737157145576442408227987259392.000 ±0.1 10453474314291152884816455974518784.000 ±0.1 20906948628582305769632911949037568.000 ±0.1 41813897257164611539265823898075136.000 ±0.1 83627794514329223078531647796150272.000 ±0.1 167255589028658446157063295592300544.000 ±0.1 334511178057316892314126591184601088.000 ±0.1 669022356114633784628253182369203168.000 ±0.1 1338044712232267569256506364738406336.000 ±0.1 2676089424464535138513112729476812672.000 ±0.1 5352178848929070277026225458953625344.000 ±0.1 10704357697858140554052450917907248688.000 ±0.1 214087153957162811088049018358144957376.000 ±0.1 4281743079143256221760980367162899147552.000 ±0.1 856348615828651244352196073432598295104.000 ±0.1 1712697231657302488704392146865196590208.000 ±0.1 3425394463314604977408784293730393180416.000 ±0.1 6850788926629209954817568587460786360832.000 ±0.1 137015778532584199096351377749217227216.000 ±0.1 274031557065168398192702755498434454432.000 ±0.1 548063114130336796385405510996868908864.000 ±0.1 1096126228260673532770811021993737817728.000 ±0.1 219225245652134706554162204398747563445.000 ±0.1 43845049130426941310832440879749512890.000 ±0.1 87690098260853882621664881759499025780.000 ±0.1 1753801965217077652433297635189980515560.000 ±0.1 350760393043415530486659527037996111120.000 ±0.1 70152078608683106097331905407599222224.000 ±0.1 140304157217366212194663810815198444448.000 ±0.1 280608314434732424389327621631988888896.000 ±0.1 56121662886946484877865524326397777792.000 ±0.1 112243325773892969755731048652795555584.000 ±0.1 22448665154778593951146209330591111136.000 ±0.1 44897330309557187902292418661182222272.000 ±0.1 89794660619114375804584837322364444444.000 ±0.1 179589321238228751609169674644788888888.000 ±0.1 359178642476457503218339349289577777776.000 ±0.1 718357284952915006436678698579155555552.000 ±0.1 143671456990583001273335739715831111104.000 ±0.1 28734291398116600254667155431666222220.000 ±0.1 5746858279623320050933431086333244440.000 ±0.1 11493716559246640101866862172666488880.000 ±0.1 22987433118493280203733724353332977760.000 ±0.1 45974866236986560407467448706665955520.000 ±0.1 91949732473973120814934897413331911040.000 ±0.1 183899464947946241629869788826661822080.000 ±0.1 367798929895892483259739577653326444160.000 ±0.1 735597859791784966519479155306652888320.000 ±0.1 1471195719583569933038958306613355776640.000 ±0.1 294239143916713986607791661326711113600.000 ±0.1 588478287833427973215583322653422227200.000 ±0.1 117695657566685594643111665310684444444.000 ±0.1 235391315133371189286223326621377777776.000 ±0.1 47078263026674237857244665324355555552.000 ±0.1 94156526053348475714489330648711111104.000 ±0.1 1883130521066969514289886612942222220.000 ±0.1 3766261042133939028579732555884444440.000 ±0.1 7532522084267878057155461111768888880.000 ±0.1 15065044168535756114311122235377777760.000 ±0.1 30130088337071512228622444470755555520.000 ±0.1 60260176674143024457244891141511111040.000 ±0.1 120520353348286048914468822823111113600.000 ±0.1 241040706696572097828977656446222227200.000 ±0.1 4820814133931441956579553128924444444.000 ±0.1 9641628267862883913159111057948888880.000 ±0.1 19283256537725767826318222117977777760.000 ±0.1 38566513075451535652636444355955555520.000 ±0.1 771330261509030713052728887119111111040.000 ±0.1 1542660523018061426105557742382222220.000 ±0.1 3085321046036122852211114446644444440.000 ±0.1 617064209207224570442222889328888880.000 ±0.1 12341284184144811408844457766577777760.000 ±0.1 246825683682896228176889115533155555520.000 ±0.1 4936513673657924563537782211111111040.000 ±0.1 98730273473158491270755644222222220.000 ±0.1 19746054694631698254151128444444444.000 ±0.1 39492109389263396508302256888888880.000 ±0.1 789842187785267930166045137777777760.000 ±0.1 1579684355570535860332090275555555520.000 ±0.1 31593687111410717206641805511111111040.000 ±0.1 631873742228214344132836110222222220.000 ±0.1 12637474844564286882656222044444444.000 ±0.1 25274949689128573765312444888888880.000 ±0.1 505498993782571475306248977777777760.000 ±0.1 101099796764514295061297955555555520.000 ±0.1 2021995935290285901224959111111111040.000 ±0.1 40439918705805718024499182222222220.000 ±0.1 8087983741161143604899644444444444.000 ±0.1 1617596748232228720979888893333333360.000 ±0.1 323519349646445744195977778666666720.000 ±0.1 647038699292891488391955533333333360.000 ±0.1 129407739858578297678391106666666720.000 ±0.1 258815479717156595356782213333333360.000 ±0.1 517630959434313190713554426666666720.000 ±0.1 103526191886862638142711093333333360.000 ±0.1 20705238377372527628542186666666720.000 ±0.1 41410476754745055257084373333333360.000 ±0.1 82820953509490110514176746666666720.000 ±0.1 16564190701898022022835349333333360.000 ±0.1 33128381403796044045670698666666720.000 ±0.1 66256762807592088091341397333333360.000 ±0.1 132513525615184176182682794666666720.000 ±0.1 26502705123036835236536558933333360.000 ±0.1 530054102460736704730731178666666720.000 ±0.1 106010820522147340946146235733333360.000 ±0.1 212021641044294681892924714666666720.000 ±0.1 424043282088589363785849428666666720.000 ±0.1 84808656417717872757169885733333360.000 ±0.1 1696173128354357451143397714666666720.000 ±0.1 3392346256708714902286795428666666720.000 ±0.1 678469251341742980457359085733333360.000 ±0.1 13569385026834859609147181714666666720.000 ±0.1 27138770053669719218294363428666666720.000 ±0.1 5427754010733943843658872685733333360.000 ±0.1 108555080214678876873177457146666666720.000 ±0.1 217110160429357753746354914286666666720.000 ±0.1 4342203208587155074927098285733333360.000 ±0.1 8684406417174310149854196571466666666720.000 ±0.1 17368812834348620299708393142866666666720.000 ±0.1 347376256686972405994167862857333333360.000 ±0.1 694752513373944811988335725714666666666720.000 ±0.1 138950502674788962397671545428666666666720.000 ±0.1 2779010053	
--------------------------------------------------------------------------------------------------------------------------------------------------------------------------------------------------------------------------------------------------------------------------------------------------------------------------------------------------------------------------------------------------------------------------------------------------------------------------------------------------------------------------------------------------------------------------------------------------------------------------------------------------------------------------------------------------------------------------------------------------------------------------------------------------------------------------------------------------------------------------------------------------------------------------------------------------------------------------------------------------------------------------------------------------------------------------------------------------------------------------------------------------------------------------------------------------------------------------------------------------------------------------------------------------------------------------------------------------------------------------------------------------------------------------------------------------------------------------------------------------------------------------------------------------------------------------------------------------------------------------------------------------------------------------------------------------------------------------------------------------------------------------------------------------------------------------------------------------------------------------------------------------------------------------------------------------------------------------------------------------------------------------------------------------------------------------------------------------------------------------------------------------------------------------------------------------------------------------------------------------------------------------------------------------------------------------------------------------------------------------------------------------------------------------------------------------------------------------------------------------------------------------------------------------------------------------------------------------------------------------------------------------------------------------------------------------------------------------------------------------------------------------------------------------------------------------------------------------------------------------------------------------------------------------------------------------------------------------------------------------------------------------------------------------------------------------------------------------------------------------------------------------------------------------------------------------------------------------------------------------------------------------------------------------------------------------------------------------------------------------------------------------------------------------------------------------------------------------------------------------------------------------------------------------------------------------------------------------------------------------------------------------------------------------------------------------------------------------------------------------------------------------------------------------------------------------------------------------------------------------------------------------------------------------------------------------------------------------------------------------------------------------------------------------------------------------------------------------------------------------------------------------------------------------------------------------------------------------------------------------------------------------------------------------------------------------------------------------------------------------------------------------------------------------------------------------------------------------------------------------------------------------------------------------------------------------------------------------------------------------------------------------------------------------------------------------------------------------------------------------------------------------------------------------------------------------------------------------------------------------------------------------------------------------------------------------------------------------------------------------------------------------------------------------------------------------------------------------------------------------------------------------------------------------------------------------------------------------------------------------------------------------------------------------------------------------------------------------------------------------------------------------------------------------------------------------------------------------------------------------------------------------------------------------------------------------------------------------------------------------------------------------------------------------------------------------------------------------------------------------------------------------------------------------------------------------------------------------------------------------------------------------------------------------------------------------------------------------------------------------------------------------------------------------------------------------------------------------------------------------------------------------------------------------------------------------------------------------------------------------------------------------------------------------------------------------------------------------------------------------------------------------------------------------------------------------------------------------------------------------------------------------------------------------------------------------------------------------------------------------------------------------------------------------------------------------------------------------------------------------------------------------------------------------------------------------------------------------------------------------------------------------------------------------------------------------------------------------------------------------------------------------------------------------------------------------------------------------------------------------------------------------------------------------------------------------------------------------------------------------------------------------------------------------------------------------------------------------------------------------------------------------------------------------------------------------------------------------------------------------------------------------------------------------------------------------------------------------------------------------------------------------------------------------------------------------------------------------------------------------------------------------------------------------------------------------------------------------------------------------------------------------------------------------------------------------------------------------------------------------------------------------------------------------------------------------------------------------------------------------------------------------------------------------------------------------------------------------------------------------------------------------------------------------------------------------------------------------------------------------------------------------------------------------------------------------------------------------------------------------------------------------------------------------------------------------------------------------------------------------------------------------------------------------------------------------------------------------------------------------------------------------------------------------------------------------------------------------------------------------------------------------------------------------------------------------------------------------------------------------------------------------------------------------------------------------------------------------------------------------------------------------------------------------------------------------------------------------------------------------------------------------------------------------------------------------------------------------------------------------------------------------------------------------------------------------------------------------------------------------------------------------------------------------------------------------------------------------------------------------------------------------------------------------------------------------------------------------------------------------------------------------------------------------------------------------------------------------------------------------------------------------------------------------------------------------------------------------------------------------------------------------------------------------------------------------------------------------------------------------------------------------------------------------------------------------------------------------------------------------------------------------------------------------------------------------------------------------------------------------------------------------------------------------------------------------------------------------------------------------------------------------------------------------------------------------------------------------------------------------------------------------------------------------------------------------------------------------------------------------------------------------------------------------------------------------------------------------------------------------------------------------------------------------------------------------------------------------------------------------------------------------------------------	--

REV ISN		REVISIONS			
NO	DATE	DESCRIPTION	DATE	DWN	APPD
GP	00	SEE SHEET 1	-	-	-



RECOMMENDED PCB LAYOUT
 SCALE 10:1

DIMENSIONS: mm 0 PLG ±0.1 1 PLG ±0.05 2 PLG ±0.1 3 PLG ±0.1 4 PLG ±0.1 ENDS ±0.1		TOLERANCES UNLESS OTHERWISE SPECIFIED: ±0.1 ±0.05 ±0.1 ±0.1 ±0.1 ±0.1		DWN: MCMASPER 21FEB01 CH: D. GOBENC 21FEB01 APPD: D. GOBENC 21FEB01 NAME:	Tyco Electronics Tyco Electronics Harrisburg, PA 17105-3608
MATERIAL:		FINISH:		PRODUCT SPEC: 108-2234 APPLICATION SPEC:	EVERCLEAR Mini-SAS INTERNAL SHELL, RIGHT ANGLE RECEPTACLE, UNKEYED
WEIGHT:		REIGHT:		SIZE: A CASE CODE: 100779 DRAWING NO: 1888862	RESTRICTED TO:
CUSTOMER DRAWING		SCALE: 5:1		SHEET 2 OF 2	REV A1