

# SAC-3P-M12MSS/ 2,0-PUR PE - Power cable



1175867

<https://www.phoenixcontact.com/us/products/1175867>

Please be informed that the data shown in this PDF document is generated from our online catalog. Please find the complete data in the user documentation. Our general terms of use for downloads are valid.



Power cable, 3-position, Plug straight M12, coding: S, on free cable end, cable length: 2 m, For alternating current up to 16 A/250 V

## Your advantages

- Easy and safe: 100% electrically tested plug-in components
- Protection against incorrect connection using special S-coding

## Commercial data

|                                      |                                |
|--------------------------------------|--------------------------------|
| Item number                          | 1175867                        |
| Packing unit                         | 1 pc                           |
| Minimum order quantity               | 1 pc                           |
| Note                                 | Made to order (non-returnable) |
| Sales key                            | BF05                           |
| Product key                          | BF1CCP                         |
| GTIN                                 | 4063151206604                  |
| Weight per piece (including packing) | 166.2 g                        |
| Weight per piece (excluding packing) | 166 g                          |
| Customs tariff number                | 85444290                       |
| Country of origin                    | PL                             |

# SAC-3P-M12MSS/ 2,0-PUR PE - Power cable



1175867

<https://www.phoenixcontact.com/us/products/1175867>

## Technical data

### Product properties

|                      |              |
|----------------------|--------------|
| Product type         | Power cable  |
| Number of positions  | 3            |
| Application          | Power supply |
| No. of cable outlets | 1            |
| Shielded             | no           |
| Coding               | S            |

### Insulation characteristics

|                      |     |
|----------------------|-----|
| Overvoltage category | III |
| Degree of pollution  | 3   |

### Material specifications

|  |                              |
|--|------------------------------|
| Flammability rating according to UL 94 | V0                           |
| Material of grip body                  | PP                           |
| Contact material                       | CuZn                         |
| Contact surface material               | Ni/Au                        |
| Contact carrier material               | PA                           |
| Material for screw connection          | Zinc die-cast, nickel-plated |

### Electrical properties

|                       |                            |
|-----------------------|----------------------------|
| Contact resistance    | $\leq 5 \text{ m}\Omega$   |
| Insulation resistance | $\geq 100 \text{ M}\Omega$ |
| Nominal voltage $U_N$ | 250 V AC                   |
|                       | 250 V DC                   |
| Nominal current $I_N$ | 16 A                       |
| Protective circuit    | unwired                    |

### Mechanical properties

#### Mechanical data

|                             |       |
|-----------------------------|-------|
| Insertion/withdrawal cycles | > 100 |
|-----------------------------|-------|

### Connector

#### Connection 1

|             |                   |
|-------------|-------------------|
| Type        | Plug straight M12 |
| Coding type | S (Power)         |

#### Connection 2

|      |                |
|------|----------------|
| Type | free cable end |
|------|----------------|

### Cable/line

|              |     |
|--------------|-----|
| Cable length | 2 m |
|--------------|-----|


# SAC-3P-M12MSS/ 2,0-PUR PE - Power cable



1175867

<https://www.phoenixcontact.com/us/products/1175867>

## PUR black [PUR]

|   |  |
|---|--|
| Dimensional drawing                           |    |
| Cable weight                                  | 74 kg/km   |
| UL AWM Style                                  | 20233 / 10493 (80°C/300 V)   |
| Number of positions                           | 3  |
| Shielded                                      | no   |
| Cable type                                    | PUR black [PUR]  |
| Conductor cross section                       | 3x 1.5 mm <sup>2</sup>   |
| Wire diameter incl. insulation                | 2.25 mm ±0.05 mm   |
| External cable diameter                       | 6.8 mm ±0.2 mm   |
| Outer sheath, material                        | PUR  |
| External sheath, color                        | black  |
| Conductor material                            | Bare Cu litz wires   |
| Material wire insulation                      | PP   |
| Single wire, color                            | black 1, black 2, green/yellow   |
| Overall twist                                 | 3 wires, twisted   |
| Max. conductor resistance                     | ≤ 14.1 Ω/m (at 20 °C)  |
| Insulation resistance                         | ≥ 1 GΩ*km (at 20 °C)   |
| Nominal voltage, cable                        | 300 V AC   |
| Test voltage                                  | 3000 V   |
| Minimum bending radius, fixed installation    | 5 x D  |
| Minimum bending radius, flexible installation | 10 x D   |
| Max. bending cycles                           | 4000000  |
| Halogen-free                                  | in accordance with DIN VDE 0472 part 815<br>in accordance with DIN EN 50267-2-1  |
| Flame resistance                              | According to UL 758/1581 (Cable Flame)<br>according to UL 758/1581 FT1<br>According to DIN EN 60332-1-2                      |
| Resistance to oil                             | according to DIN EN 60811-404, 168 h at 100 °C   |
| Other resistance                              | Hydrolysis and microbe resistant as per VDE 0282 section 10<br>Low adhesion<br>abrasion-resistant<br>Resistant to salt water |
| Ambient temperature (operation)               | -40 °C ... 80 °C (cable, fixed installation)<br>-25 °C ... 80 °C (Cable, flexible installation)                              |

# SAC-3P-M12MSS/ 2,0-PUR PE - Power cable



1175867

<https://www.phoenixcontact.com/us/products/1175867>

## Environmental and real-life conditions

### Ambient conditions

|                                 |  |
|---------------------------------|--|
| Degree of protection            | IP65   |
|                                 | IP67 (without preloading, as additional test in accordance with IEC 60529) |
| Ambient temperature (operation) | -25 °C ... 85 °C (Plug / socket)   |

## Standards and regulations

|                          |                 |
|--------------------------|-----------------|
| Standard designation     | M12 connector   |
| Standards/specifications | IEC 61076-2-111 |

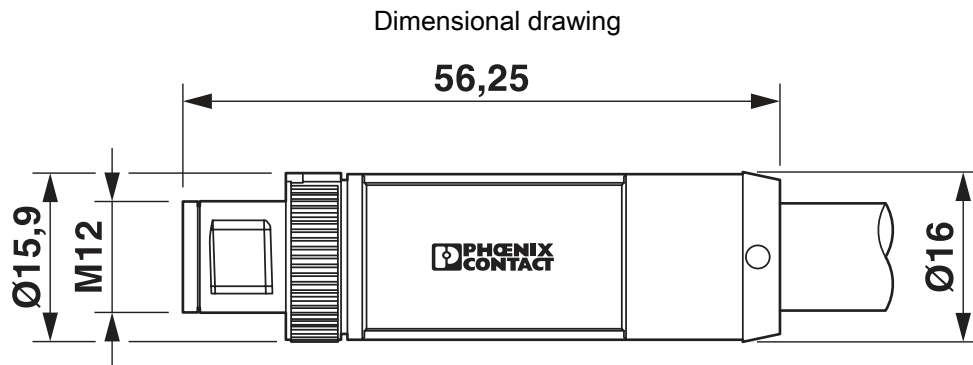
# SAC-3P-M12MSS/ 2,0-PUR PE - Power cable



1175867

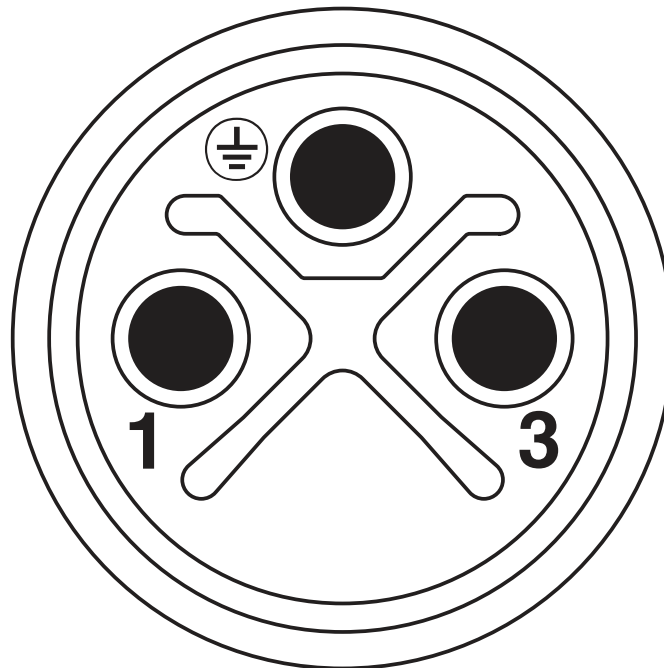
<https://www.phoenixcontact.com/us/products/1175867>

## Drawings



Plug, M12 x 1, straight

Schematic diagram



Pin assignment of M12 plug, 3-pos., S-coded, view of pin side

# SAC-3P-M12MSS/ 2,0-PUR PE - Power cable



1175867

<https://www.phoenixcontact.com/us/products/1175867>

## Classifications

### ECLASS

|             |          |
|-------------|----------|
| ECLASS-11.0 | 27060311 |
| ECLASS-12.0 | 27060311 |
| ECLASS-13.0 | 27060311 |

### ETIM

|          |          |
|----------|----------|
| ETIM 8.0 | EC001855 |
|----------|----------|

### UNSPSC

|             |          |
|-------------|----------|
| UNSPSC 21.0 | 26121600 |
|-------------|----------|

# SAC-3P-M12MSS/ 2,0-PUR PE - Power cable



1175867

<https://www.phoenixcontact.com/us/products/1175867>

## Environmental product compliance

|            |   |
|------------|---|
| China RoHS | Environmentally friendly use period: unlimited = EFUP-e |
|            | No hazardous substances above threshold values          |

# SAC-3P-M12MSS/ 2,0-PUR PE - Power cable



1175867

<https://www.phoenixcontact.com/us/products/1175867>

## Accessories

### PROT-M12 FS - Sealing cap

1560251

<https://www.phoenixcontact.com/us/products/1560251>



M12 sealing cap for unoccupied M12 plugs of the sensor/actuator cable, flush-type plugs and I/O devices in the field

---

### SAC BIT M12-D16 - Tool

1200305

<https://www.phoenixcontact.com/us/products/1200305>



Nut for assembling sensor/actuator cables with M12 connector and M12 connectors for assembly, knurl diameter: 16 mm, for 4 mm hexagonal drive

---

Phoenix Contact 2023 © - all rights reserved

<https://www.phoenixcontact.com>

Phoenix Contact USA  
586 Fulling Mill Road  
Middletown, PA 17057, United States  
(+717) 944-1300  
[info@phoenixcon.com](mailto:info@phoenixcon.com)