

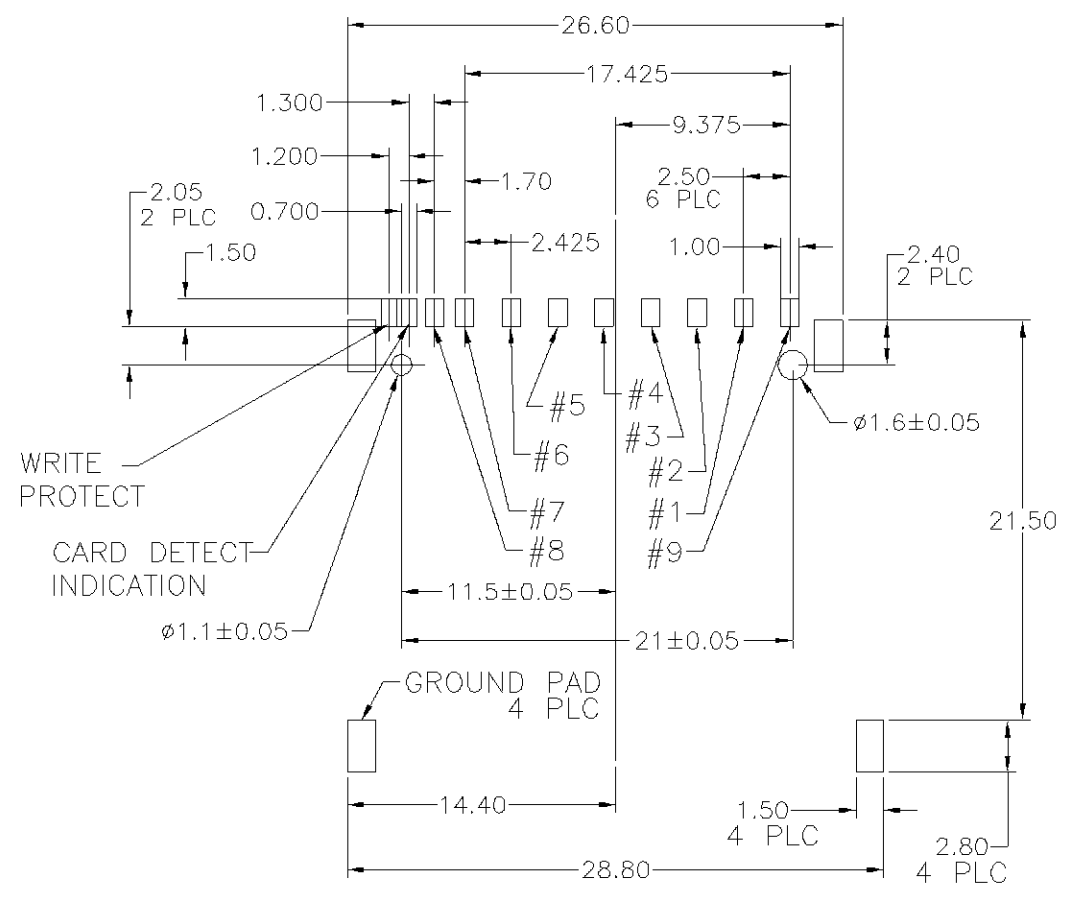
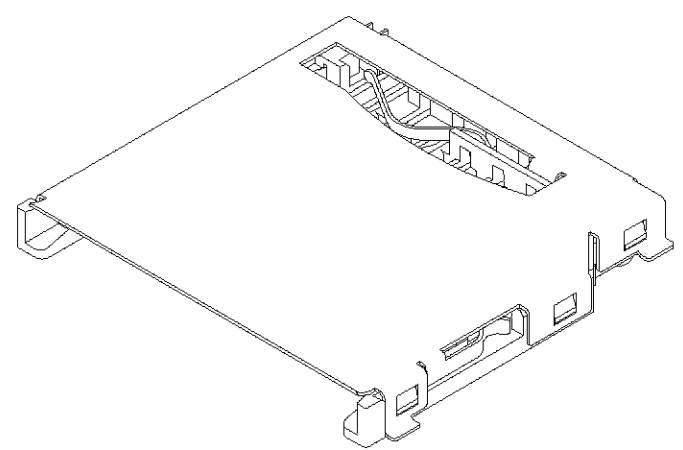
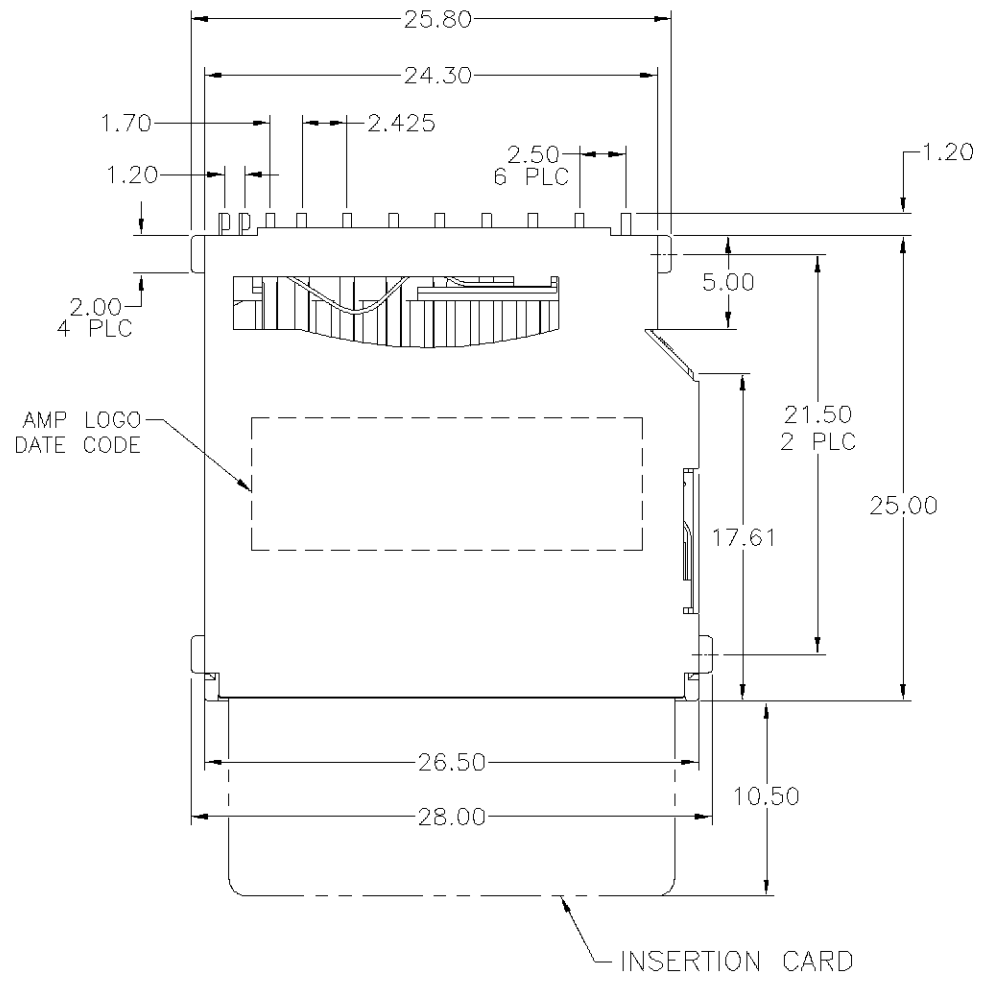
NUMBER  
C-440297

3RD ANGLE PROJECTION

METRIC

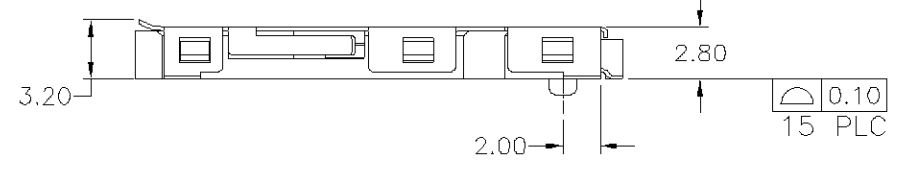
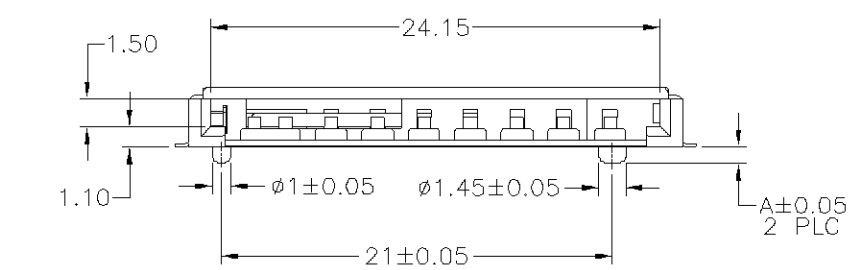
THIS INFORMATION IS CONFIDENTIAL AND IS DISCLOSED TO YOU ON CONDITION THAT NO FURTHER DISCLOSURE IS MADE BY YOU TO OTHER THAN AMP PERSONNEL WITHOUT WRITTEN AUTHORIZATION FROM AMP (TAIWAN) LTD. DIMENSION IN MILLIMETERS. DO NOT SCALE PRINT.

PRINT  
DW

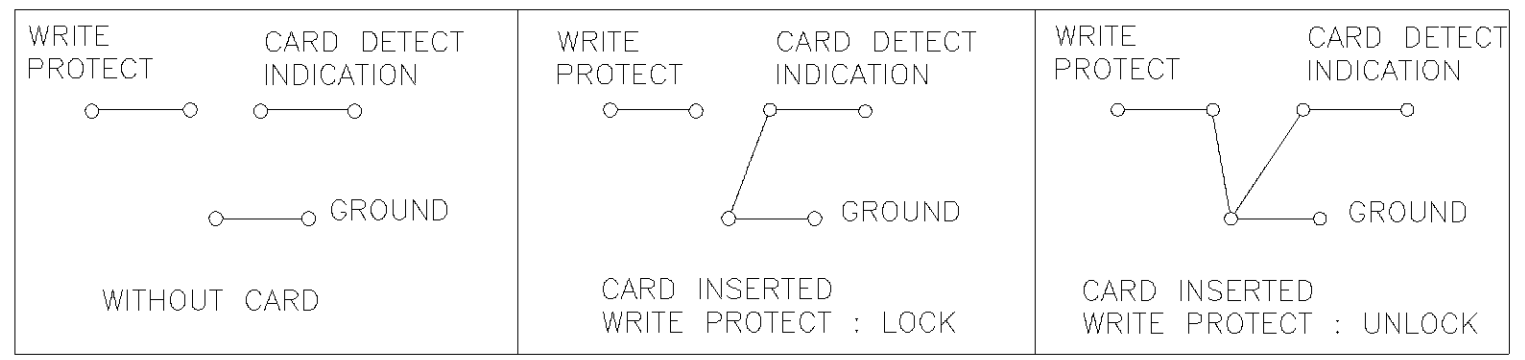


RECOMMENDED PCB LAYOUT  
(TOLERANCE: ±0.1)

- NOTE:
- MATERIAL:  
HOUSING: THERMOPLASTIC UL 94V-0, COLOR: IVORY.  
CONTACT: COPPER ALLOY.  
SHIELD: STAINLESS STEEL.
  - FINISH:  
CONTACT: 10u" MIN. GOLD PLATED IN CONTACT AREA, TIN-LEAD ON SOLDER TAILS, NICKEL UNDERPLATED ALL OVER.  
SHIELD: GOLD PLATED IN SOLDERING AREA, ALL OVER NICKEL.
  - SWITCH: NORMALLY OPEN.
  - DURABILITY: 10000 CYCLES.
  - ELECTRICAL CHARACTERISTICS:  
TERMINATION RESISTANCE: 100 MEGOHM MAX.  
WITHSTANDING VOLTAGE (DWV): 500 VAC.  
INSULATION RESISTANCE: 1000 MOHM INITIAL AT 500 VDC.  
OPERATING CURRENT: 0.5A MAX PER CONTACT.  
OPERATING VOLTAGE: 5.0 VAC MAX.
  - OPERATING TEMPERATURE: -25°C TO 90°C



CIRCUIT :



0.45	TAPE REEL	440297-4
0.45	TRAY	440297-3
0.85	TAPE REEL	440297-2
0.85	TRAY	440297-1
DIM A	PACKAGING	PART NUMBER

DIMENSION :	DWN	J. CHENG		TYCO HOLDINGS (BERMUDA) VII LTD. TAIWAN BRANCH
	0 PLC ±0.5	06-FEB-2003		
1 PLC ±0.3	CHK	J. WU	NAME	SECURITY DIGITAL CARD CONNECTOR
2 PLC ±0.2		06-FEB-2003		
3 PLC ±0.1	MATERIAL	APVD	J. WU	PRODUCT SPEC
ANGLES ±5'	SEE NOTE		06-FEB-2003	
	FINISH	APPLICATION SPEC		
	SEE NOTE	WEIGHT		

B	REVISED PCB LAYOUT	FZ00-0029-03	JC	JW	06FEB 2003
A	REVISED	FZ00-0091-01	AW	JC	14SEP 2001
O	FIRST RELEASED	FW00-0049-01	AW	JC	13APR 2001
LTR	REVISION RECORD	ECN	DWN	CHK	DATE

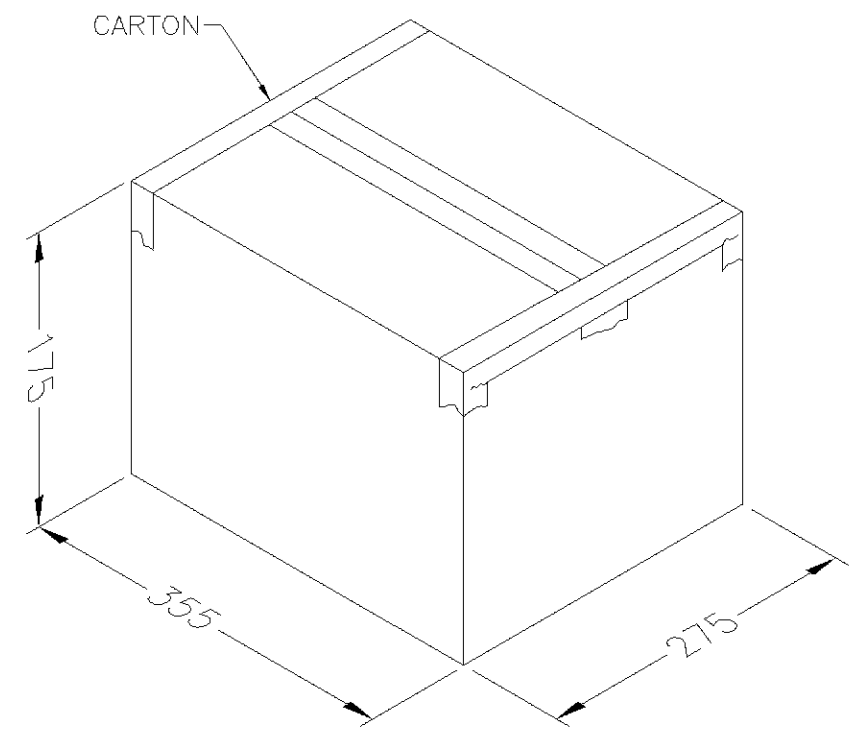
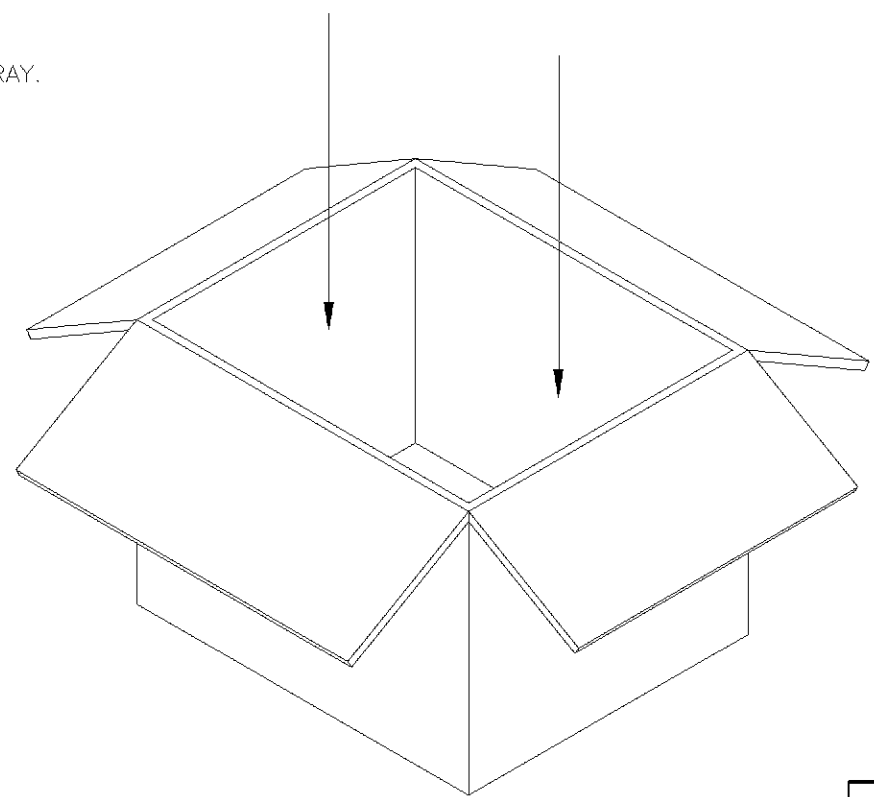
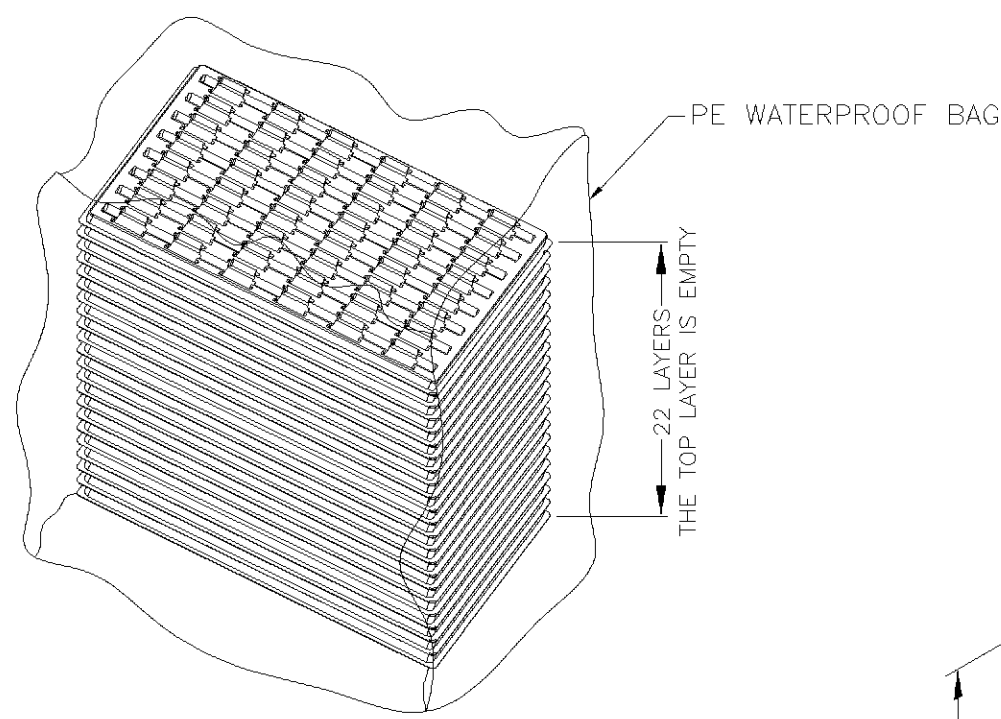
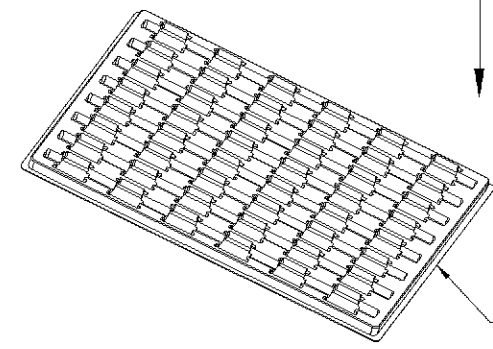
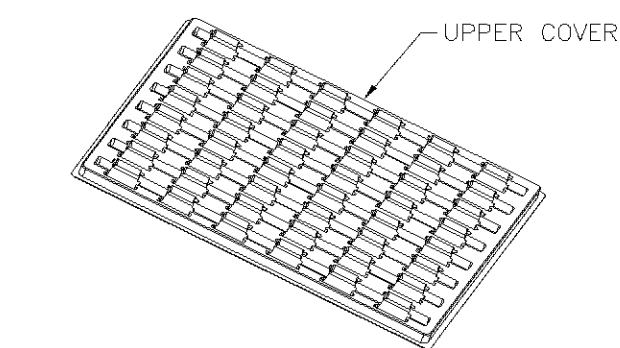
NUMBER  
C-440297

3RD ANGLE PROJECTION

METRIC

THIS INFORMATION IS CONFIDENTIAL AND IS DISCLOSED TO YOU ON CONDITION THAT NO FURTHER DISCLOSURE IS MADE BY YOU TO OTHER THAN AMP PERSONNEL WITHOUT WRITTEN AUTHORIZATION FROM AMP (TAIWAN) LTD. DIMENSION IN MILLIMETERS. DO NOT SCALE PRINT.

PRINT DIST  
DW



1000 PCS	3.6 KG
QUANTITY	WEIGHT

DIMENSION : 0 PLC ± 1 PLC ± 2 PLC ± 3 PLC ± ANGLES ±	DWN J. CHENG 06-FEB-2003	 TYCO HOLDINGS (BERMUDA) VII LTD. TAIWAN BRANCH
	CHK J. WU 06-FEB-2003	
MATERIAL -	APVD J. WU 06-FEB-2003	NAME SECURITY DIGITAL CARD CONNECTOR
	PRODUCT SPEC -	
FINISH -	APPLICATION SPEC -	LOC DW
	WEIGHT	SIZE A <sub>3</sub>
		DRAWING NO C-440297
		REV B
		SCALE --
		SHEET 2 OF 3

SEE SHEET 1.	ECN	DWN CHK	DATE
LTR	REVISION RECORD		

8 7 6 5 4 3 2 1 CUSTOMER DRAWING

D  
C  
B  
A

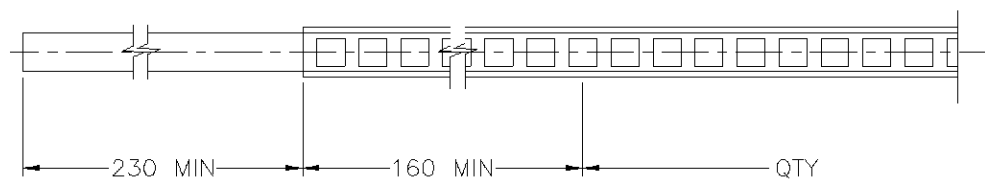
NUMBER  
C-440297

3RD ANGLE PROJECTION

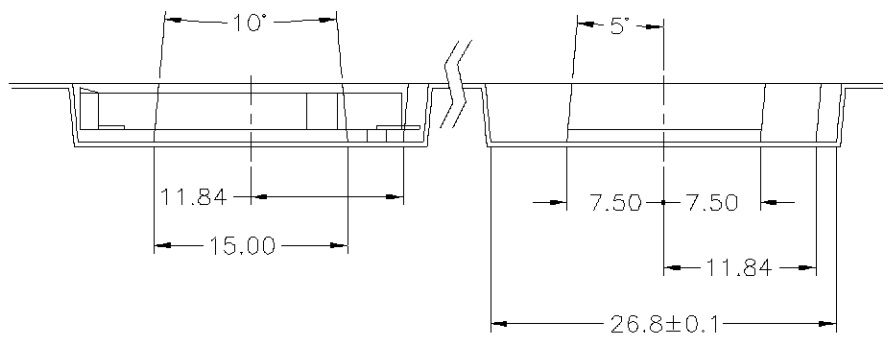
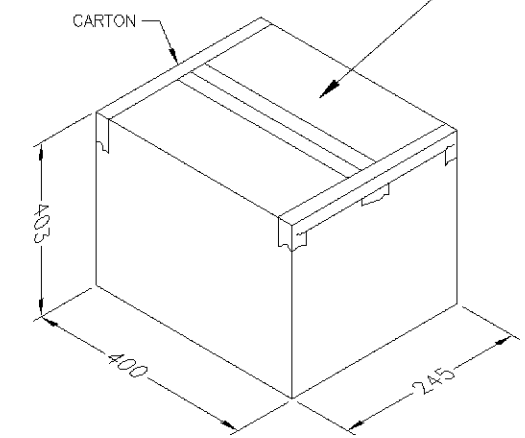
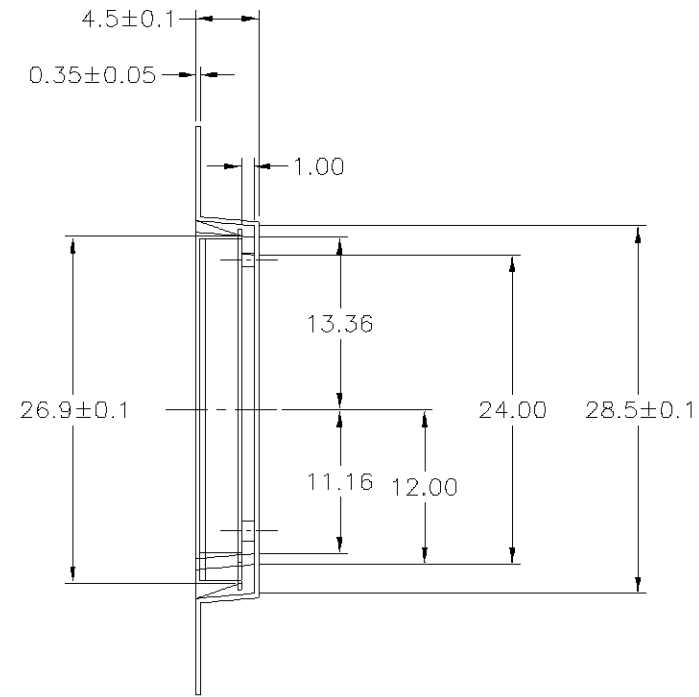
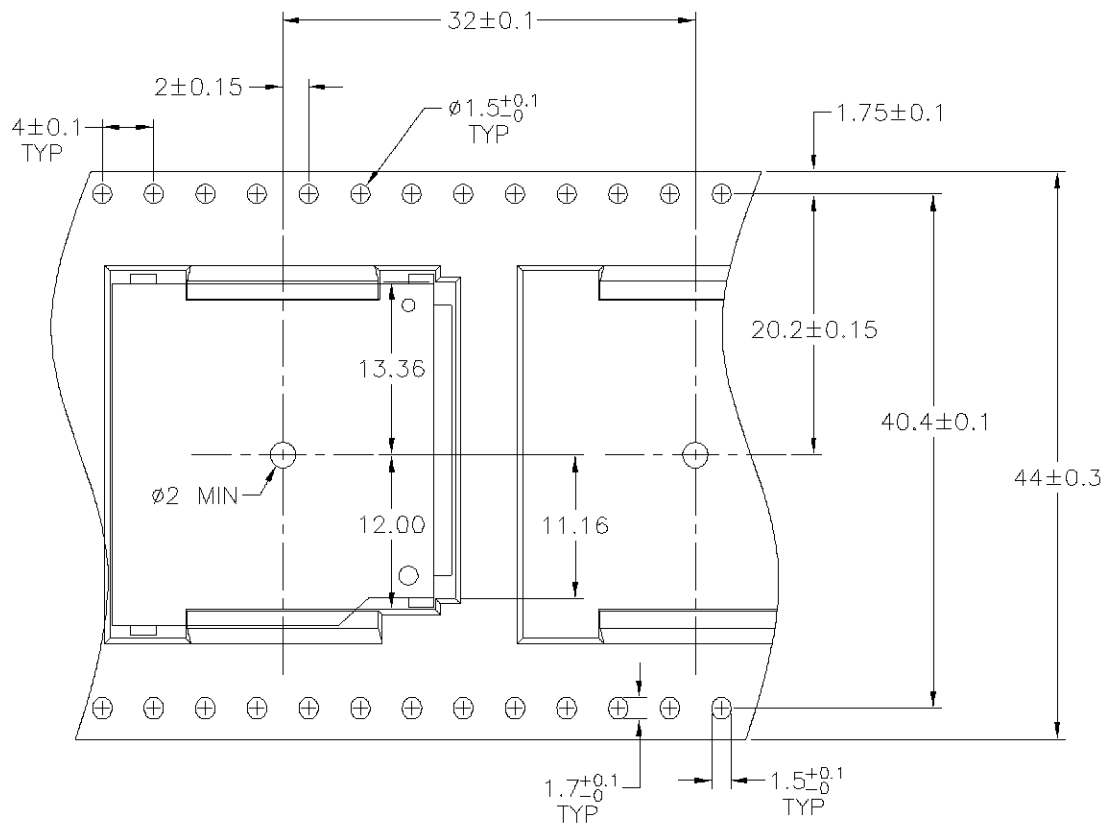
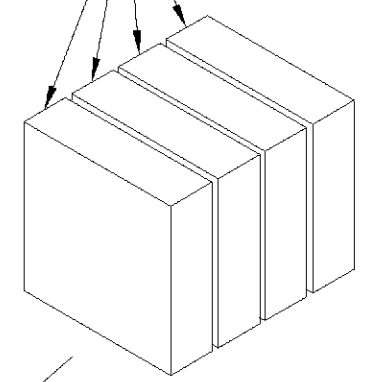
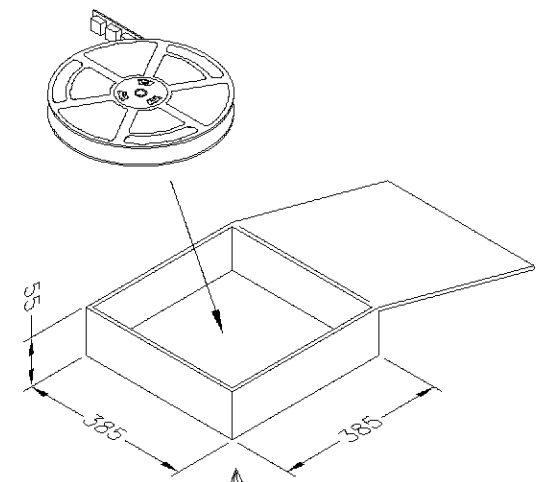
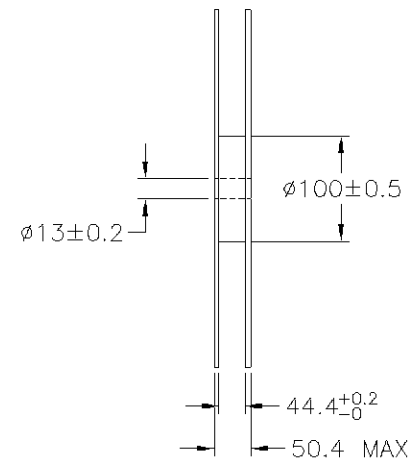
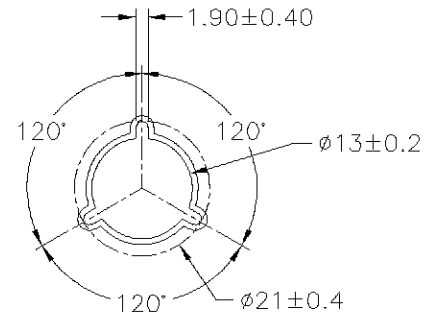
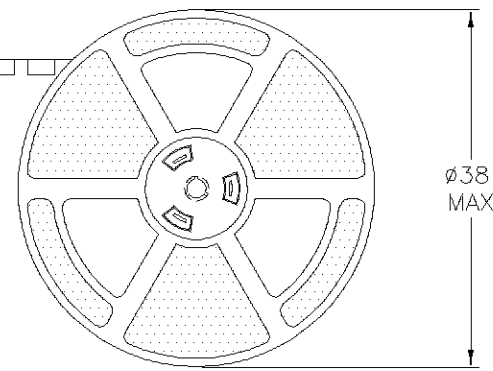
METRIC

THIS INFORMATION IS CONFIDENTIAL AND IS DISCLOSED TO YOU ON CONDITION THAT NO FURTHER DISCLOSURE IS MADE BY YOU TO OTHER THAN AMP PERSONNEL WITHOUT WRITTEN AUTHORIZATION FROM AMP (TAIWAN) LTD. DIMENSION IN MILLIMETERS. DO NOT SCALE PRINT.

PRINT  
DW



PULL OUT DIRECTION



2400 PCS	600 PCS
QUANTITY	TAPE REEL

DIMENSION : 0 PLC $\pm 0.3$ 1 PLC $\pm 0.25$ 2 PLC $\pm 0.2$ 3 PLC $\pm$ ANGLES $\pm 0.5^{\circ}$	DWN J. CHENG 06-FEB-2003	 TYCO HOLDINGS (BERMUDA) VII LTD. TAIWAN BRANCH
	CHK J. WU 06-FEB-2003	
MATERIAL -	APVD J. WU 06-FEB-2003	NAME SECURITY DIGITAL CARD CONNECTOR
FINISH -	PRODUCT SPEC -	LOC DW
	APPLICATION SPEC -	SIZE A <sub>3</sub>
	WEIGHT	DRAWING NO C-440297
		REV B
		SCALE --
		SHEET 3 OF 3

LTR	SEE SHEET 1.	ECN	DWN CHK	DATE
	REVISION RECORD			