

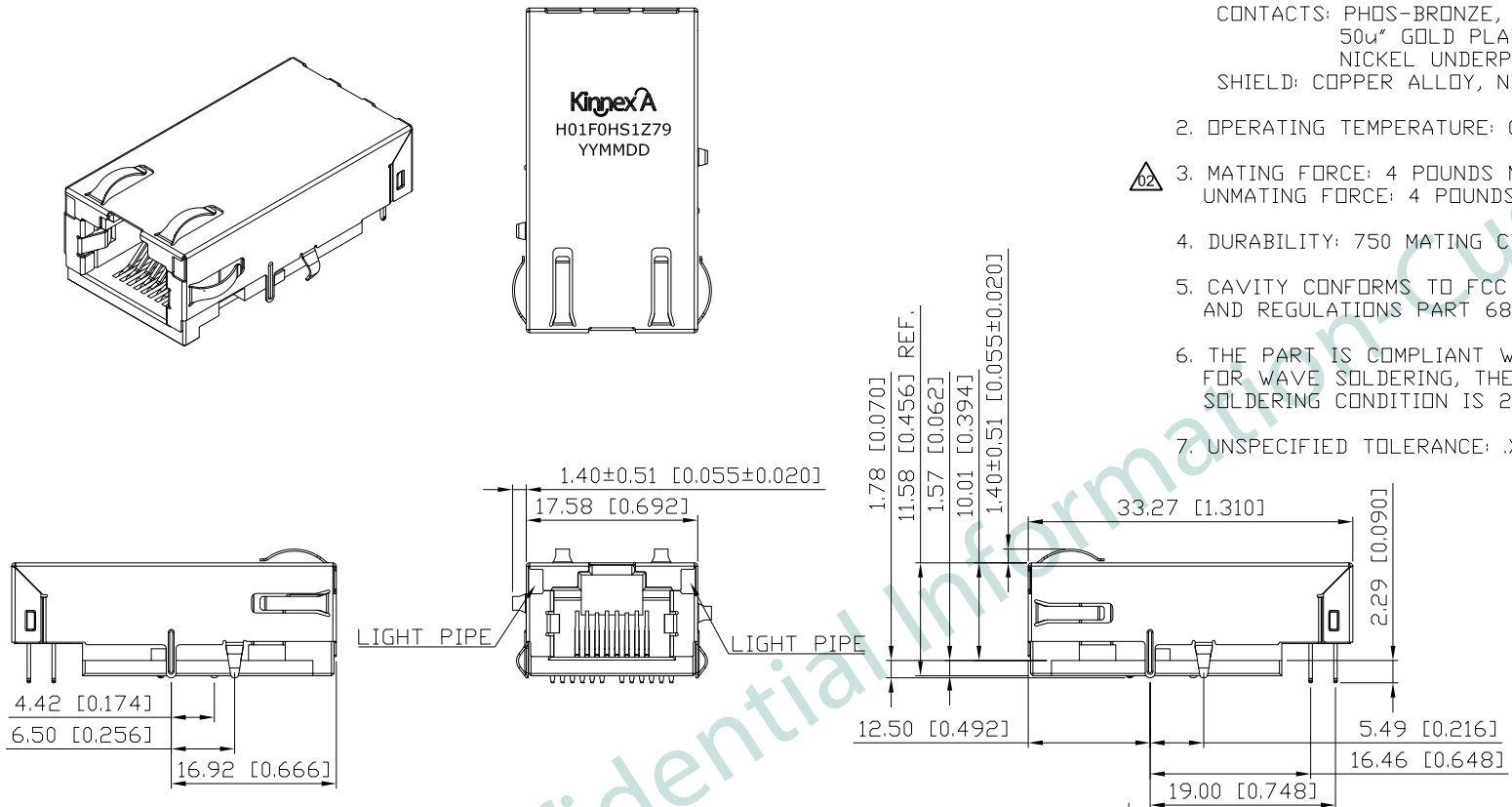
1. MECHANICAL DIMENSIONS :

REV.	DATE	DESCRIPTION
02	Dec. 18, '18	UPDATE NOTE NO.3
01	Nov. 08, '18	1st RELEASE

NOTES:

- MATERIAL:
HOUSING: HIGH THERMOPLASTIC, UL94V-0, BLACK
CONTACTS: PHOS-BRONZE,
50u" GOLD PLATING ON CONTACT AREA,
NICKEL UNDERPLATING OVERALL
SHIELD: COPPER ALLOY, NICKEL PLATING
- OPERATING TEMPERATURE: 0°C~+70°C
- MATING FORCE: 4 POUNDS MAX.
UNMATING FORCE: 4 POUNDS MAX.
- DURABILITY: 750 MATING CYCLED MIN.
- CAVITY CONFORMS TO FCC RULES
AND REGULATIONS PART 68, SUBPART F.
- THE PART IS COMPLIANT WITH WAVE SOLDERING,
FOR WAVE SOLDERING, THE SUGGESTED PEAK WAVE
SOLDERING CONDITION IS 260°C MAX. AND 10 SECONDS MAX.
- UNSPECIFIED TOLERANCE: .XX ±0.25[0.010]
.X ±0.30[0.012]

Halogen Free
RoHS Compliant

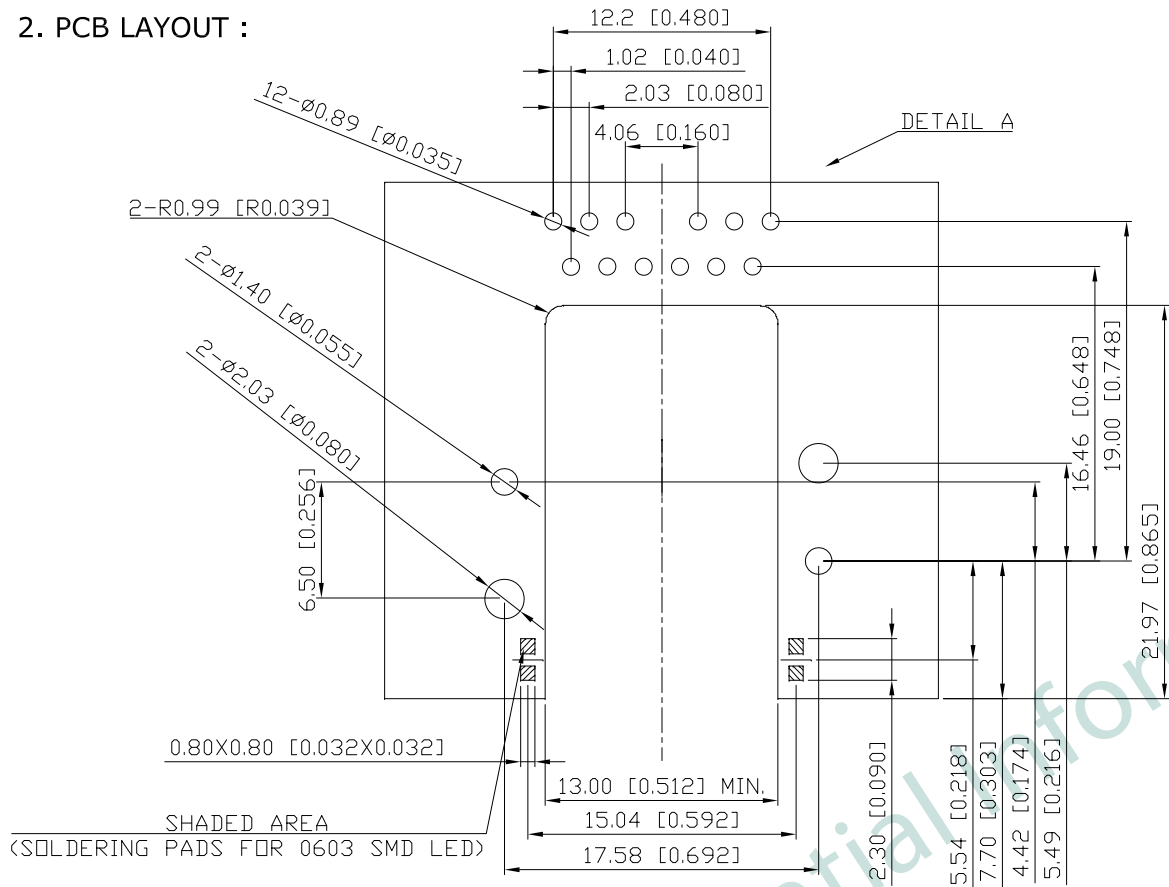


RECOMMENDED PLUG DIMENSION:

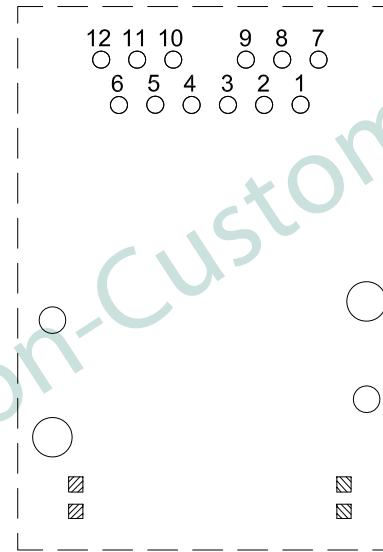


PART NO		KRH-01F-0-HS1-Z79-XXX		
TITLE	RJ45 8P12C, W/1G TRANSFORMER, W/LIGHT PIPE, SHIELDED			
REV : 02				
UNIT	DRAWN	CHKD	DATE	SHEET
mm[inch]	CINDY	VINCENT	Dec. 18, '18	1 of 6

2. PCB LAYOUT :

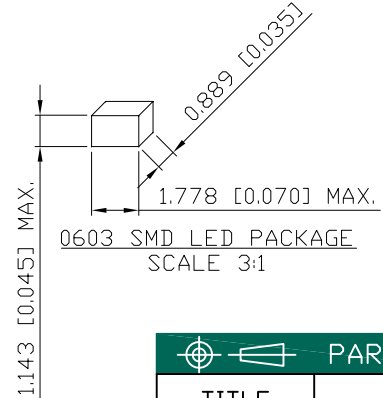


SUGGESTED PCB LAYOUT
TOP VIEW SCALE 2:1
DIMENSIONAL TOLERANCE: .XX ±0.08[0.003]

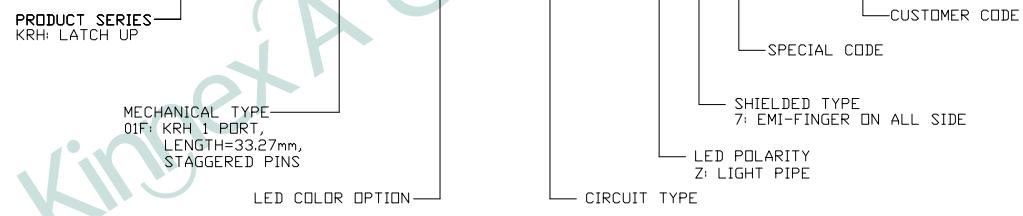


DETAIL A

P#	DEFINITION
P1	CT
P2	MD(1)+
P3	MD(1)-
P4	MD(2)+
P5	MD(2)-
P6	CT
P7	CT
P8	MD(0)+
P9	MD(0)-
P10	MD(3)+
P11	MD(3)-
P12	CT



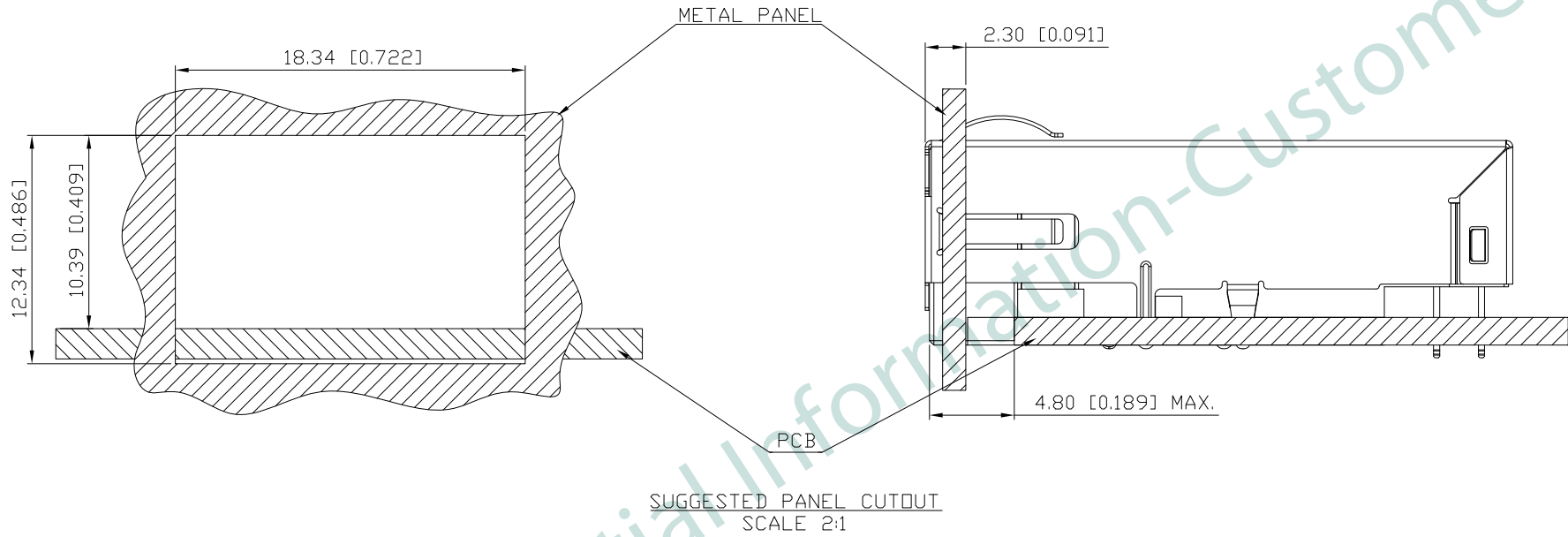
KRH-01F-0-HS1-Z79-XXX




PART NO		KRH-01F-0-HS1-Z79-XXX			
TITLE	RJ45 8P12C, W/1G TRANSFORMER, W/LIGHT PIPE, SHIELDED				
REV : 02					
UNIT	DRAWN	CHKD	DATE	SHEET	
mm[inch]	CINDY	VINCENT	Dec. 18, '18	2 of 6	

Halogen Free
RoHS Compliant

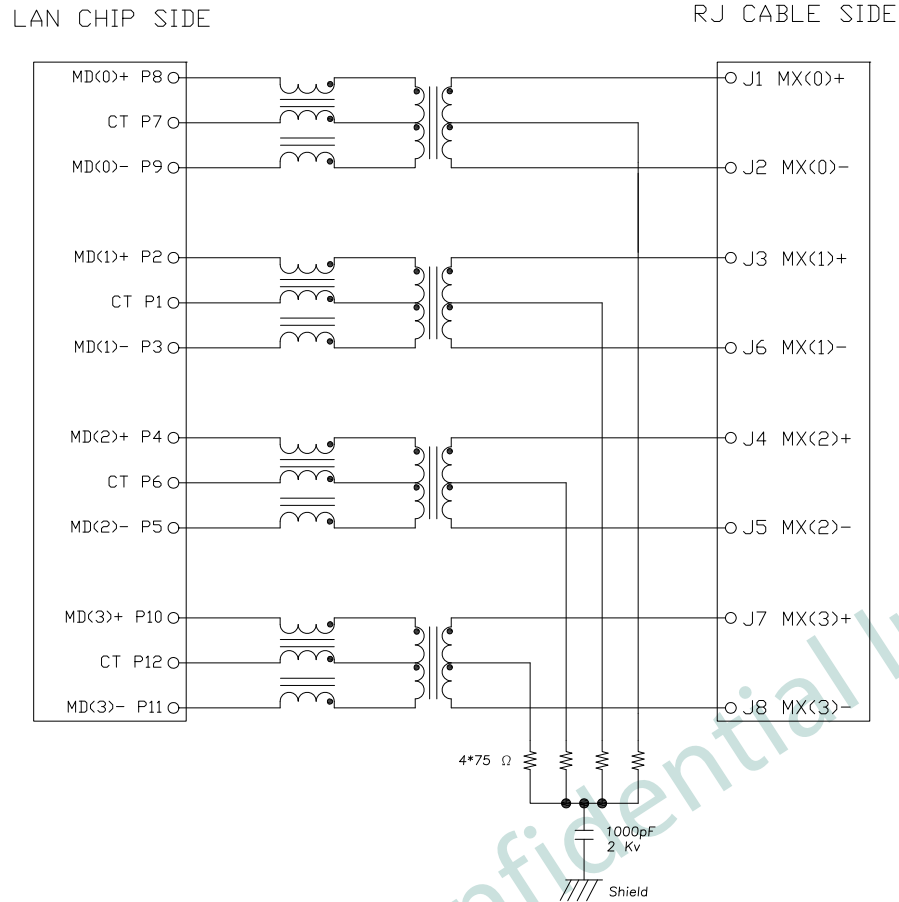
3. SCHEMATIC:



DIMENSIONS ARE IN INCHES [MILLIMETERS] WITH THE FOLLOWING TOLERANCES: [MILLIMETERS] ARE FOR REFERENCE ONLY.
 .XXX= ±0.10 [±0.25]

 PART NO		KRH-01F-0-HS1-Z79-XXX		
TITLE	RJ45 8P12C, W/1G TRANSFORMER, W/LIGHT PIPE, SHIELDED			
REV : 02				
UNIT	DRAWN	CHKD	DATE	SHEET
mm[inch]	CINDY	VINCENT	Dec. 18, '18	3 of 6

4. SCHEMATIC:



5. ELECTRICAL CHARACTERISTICS :

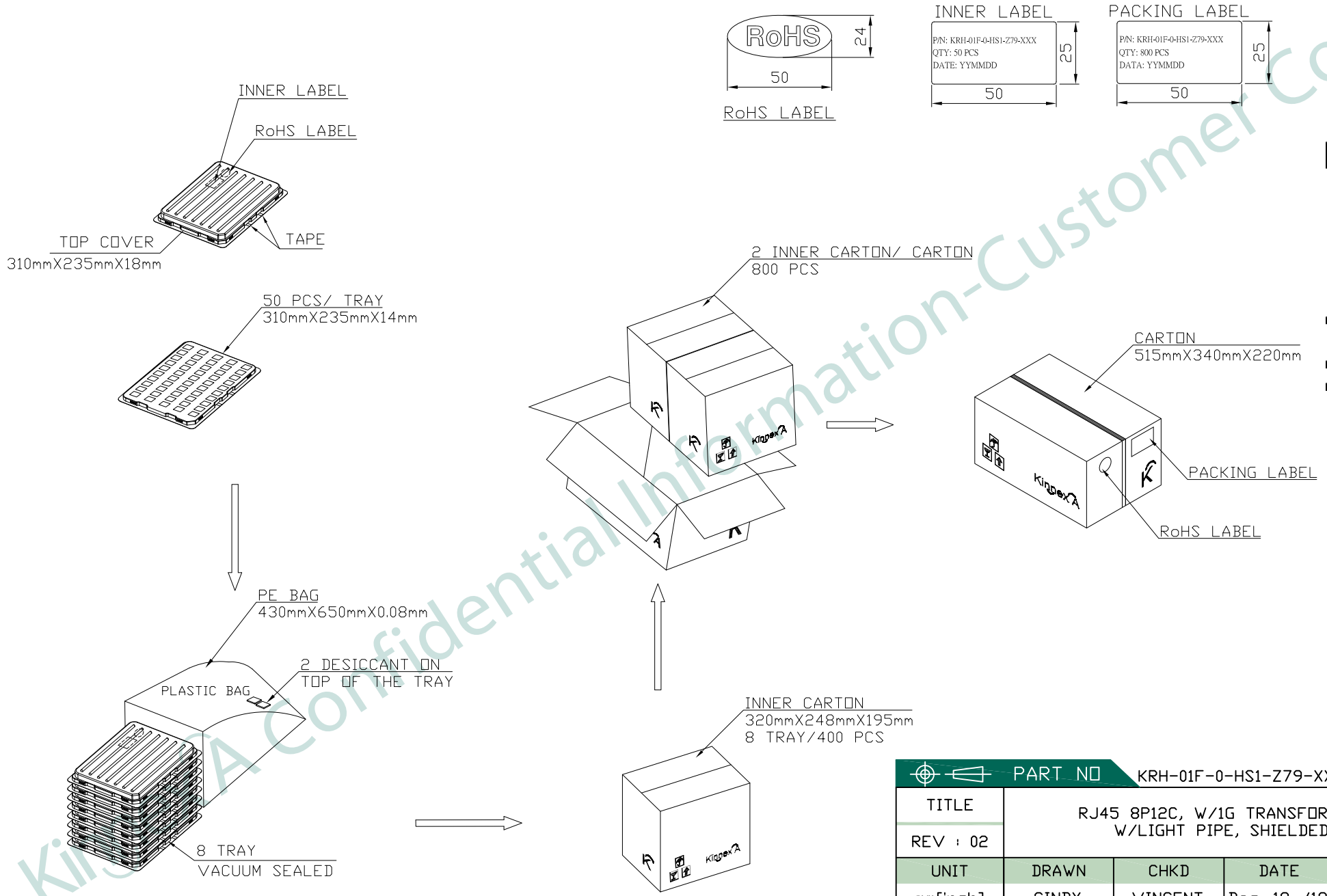
TEST NOTES:(25±5°C)

1. TR:
INPUT TO OUTPUT=1:1±3%
2. OCL: (100KHz, 100mV, 8mA, DC Bias)
350uH MINIMUM
3. DCR:
EVERY RJ PAIR=1.2 Ω MAXIMUM
4. INSERTION LOSS:
-0.8dB MAXIMUM AT 0.3MHz TO 100MHz
-1.2dB MAXIMUM AT 100MHz TO 125MHz
5. RETURN LOSS:
-20dB MINIMUM AT 1MHz TO 30MHz
-16dB MINIMUM AT 30MHz TO 60MHz
-12dB MINIMUM AT 60MHz TO 100MHz
6. CROSS TALK:
-40dB MINIMUM AT 1MHz TO 10MHz
-35dB MINIMUM AT 30MHz TO 60MHz
-30dB MINIMUM AT 60MHz TO 100MHz
7. CM TO CM MODE REJECTION:
-30dB MINIMUM AT 300KHz TO 100MHz
8. HIPOT:
INPUT(RJ SIDE) TO OUTPUT(LAN SIDE):
1500 VAC/60SEC

Halogen Free
RoHS Compliant

PART NO		KRH-01F-0-HS1-Z79-XXX		
TITLE	RJ45 8P12C, W/1G TRANSFORMER, W/LIGHT PIPE, SHIELDED			
REV : 02				
UNIT	DRAWN	CHKD	DATE	SHEET
mm[inch]	CINDY	VINCENT	Dec. 18, '18	4 of 6

6. PACKING SPECIFICATION:



Halogen Free
RoHS Compliant

PART NO		KRH-01F-0-HS1-Z79-XXX		
TITLE	RJ45 8P12C, W/1G TRANSFORMER, W/LIGHT PIPE, SHIELDED			
REV : 02				
UNIT	DRAWN	CHKD	DATE	SHEET
mm[inch]	CINDY	VINCENT	Dec. 18, '18	5 of 6

DWG NO KRH-01F-0-HS1-Z79-XXX

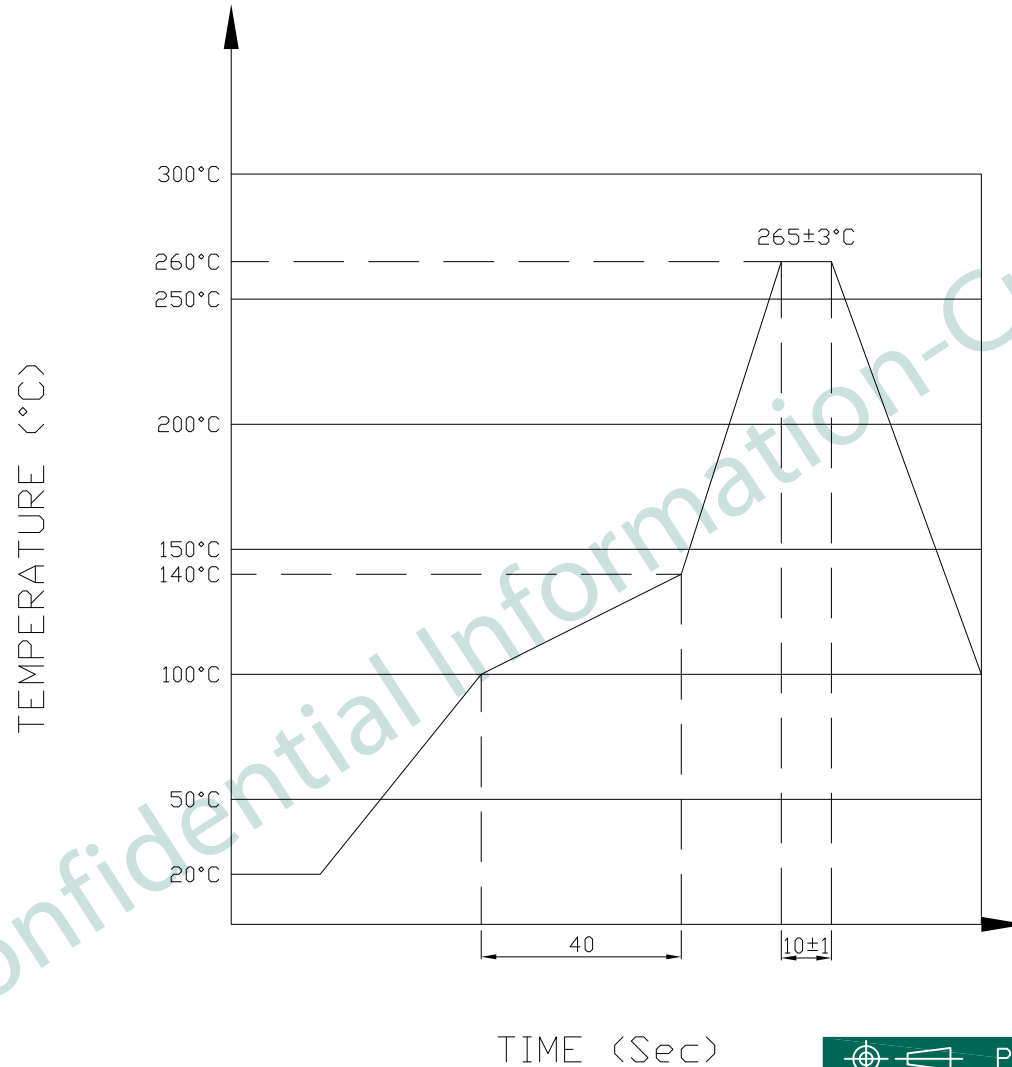
KinnexA, INC. 8F, No. 172, CHENG TEH ROAD SEC. 4, TAIPEI 11167, TAIWAN

Connected by **KinnexA**

PRELIMINARY RELEASE SUBJECT TO CHANGE

※ THIS DRAWING IS A CONTROLLED DOCUMENT ※

7. PROFILE OF WAVE SOLDER:



The measuring point for the specified temperature shall be on the soldered part of the lead

PART NO KRH-01F-0-HS1-Z79-XXX				
TITLE	RJ45 8P12C, W/1G TRANSFORMER, W/LIGHT PIPE, SHIELDED			
REV : 02				
UNIT	DRAWN	CHKD	DATE	SHEET
mm[inch]	CINDY	VINCENT	Dec. 18, '18	6 of 6