



**ANATECH ELECTRONICS INC**  
RF & Microwave Filters & Products

## 724 MHz LC Band Pass Filter

**Part Number: AE724B5459**



### Electrical Specifications

**Center Frequency:** 724 MHz  
**3dB Passband:** 608-862 MHz Min.  
**Insertion Loss:** 4.0dB Max.  
**Return Loss:** 14.0dB Min.  
**Rejection1:** 40dB Min @ 514 MHz  
**Rejection2:** 40dB Min @ 1020 MHz  
**Power Handling :** 10 W

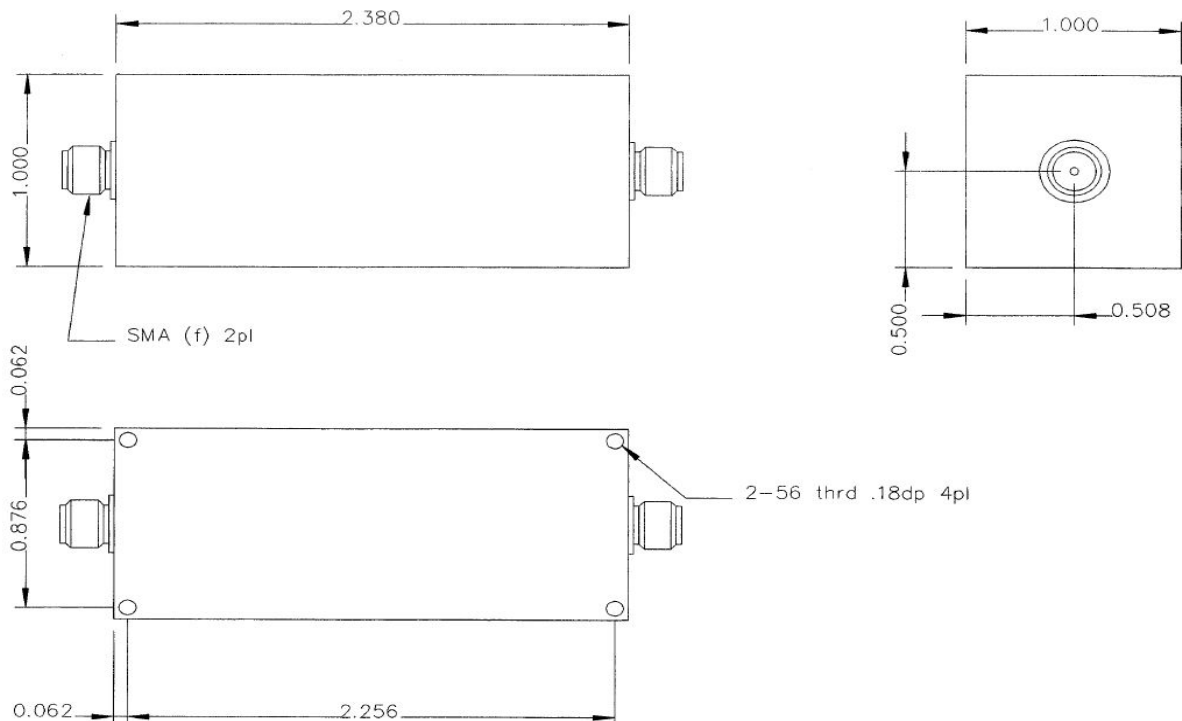
### Mechanical

**Mounting Method:** Threaded Holes  
**Connector Type:** SMA(F)  
**Dimensions:** 2.38" X 1.0" x 1.0".

### Environmental

**Operating Temperature:** -25°C to +70°C  
**Storage Temperature:** -40°C to +90°C  
**Shock:** 10 G. 11ms  
**Vibration:** 10 G. 5 to 200Hz

### Outline Drawing:



Tolerance: +/-0.01 inches [+/-0.3mm] Angles: +/-1 Deg.

\*Tolerance as shown unless otherwise specified in the datasheet electrical specification tables above.

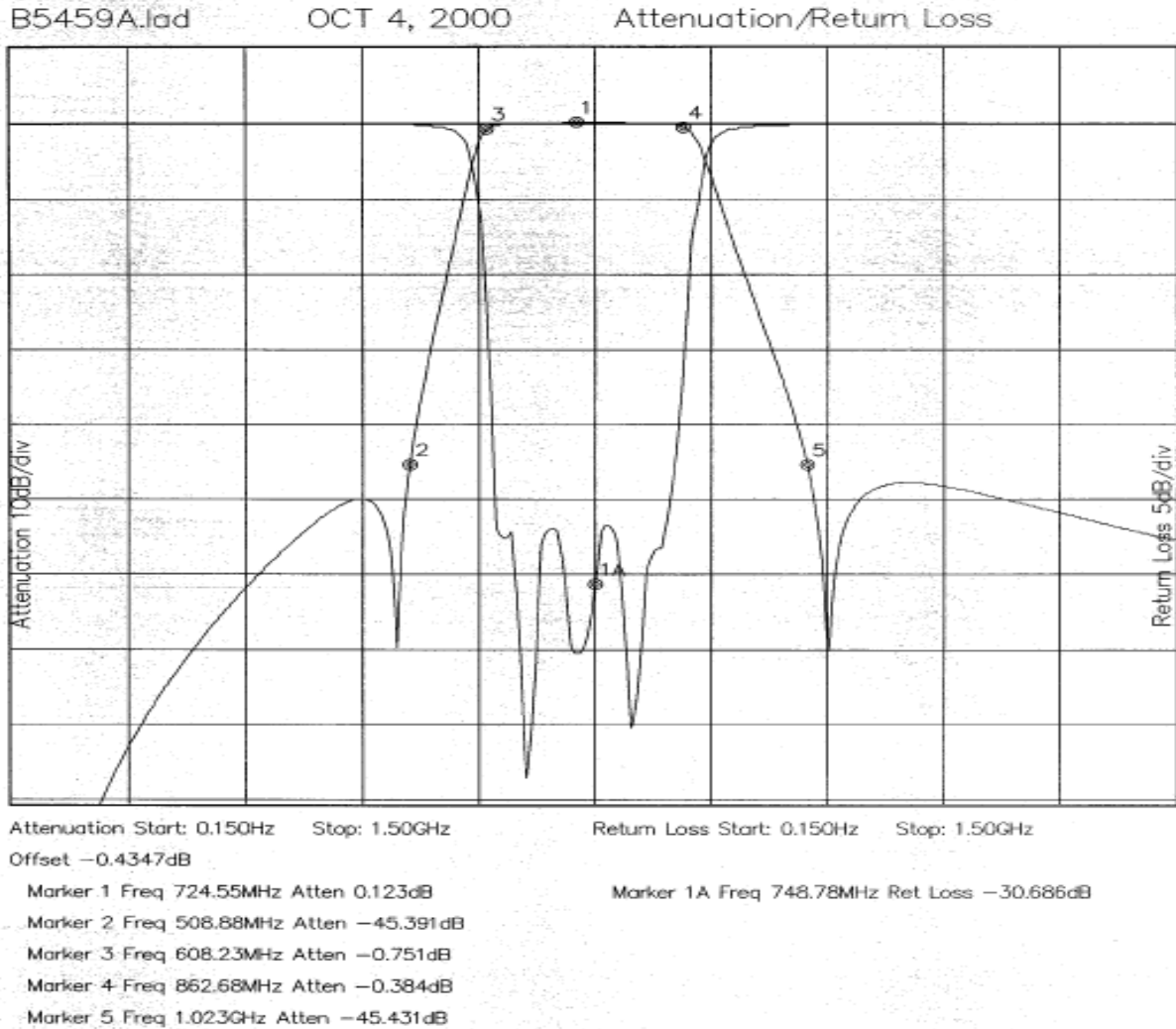
\*When max dimensions are called out the above tolerances do not apply as long as it is under the max call out.

**70 Outwater Lane Phone: (973) 772-4242**  
**Garfield, NJ 07026 Fax : (973) 321-3941**

**Email: [sales@anatechelectronics.com](mailto:sales@anatechelectronics.com)**  
**Web: [www.anatechelectronics.com](http://www.anatechelectronics.com)**



### Simulation Plot:



Note: This is a simulated response plot. Actual performance might differ.