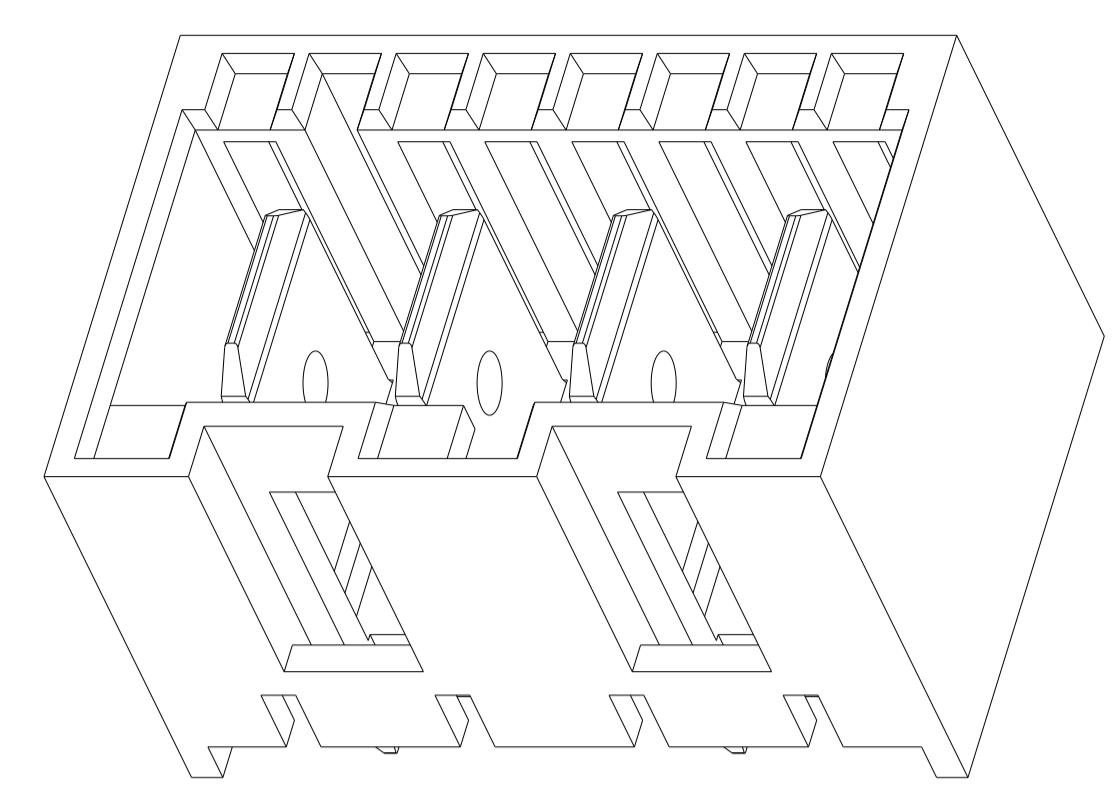
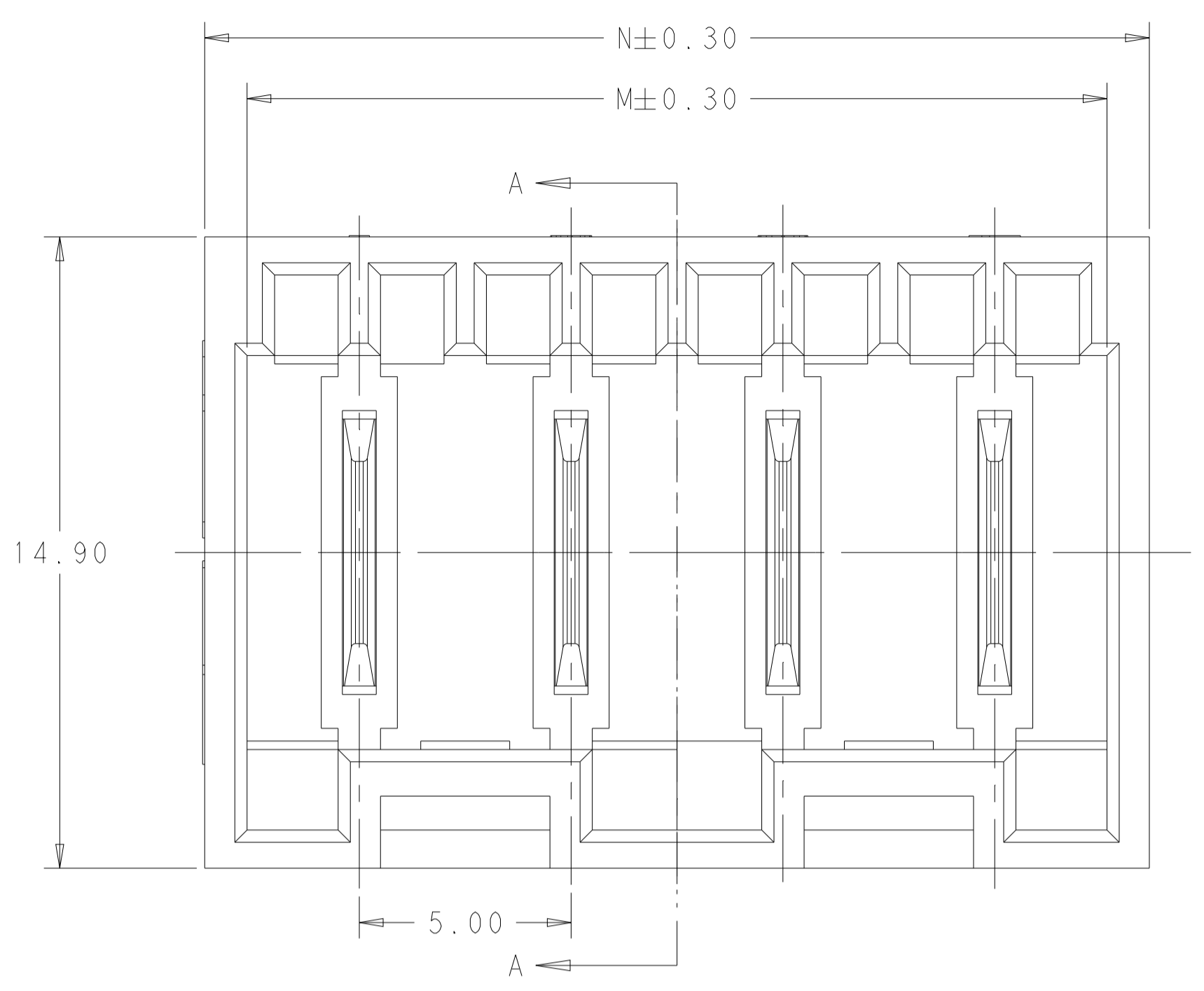
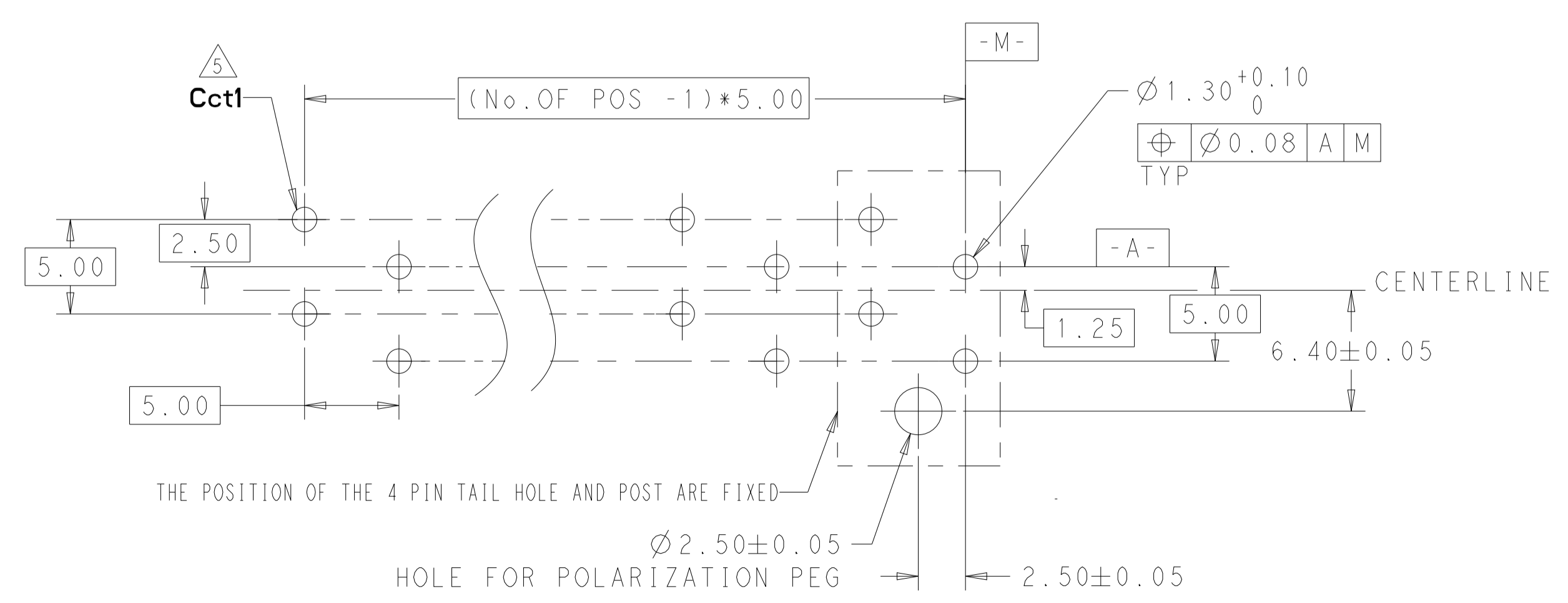
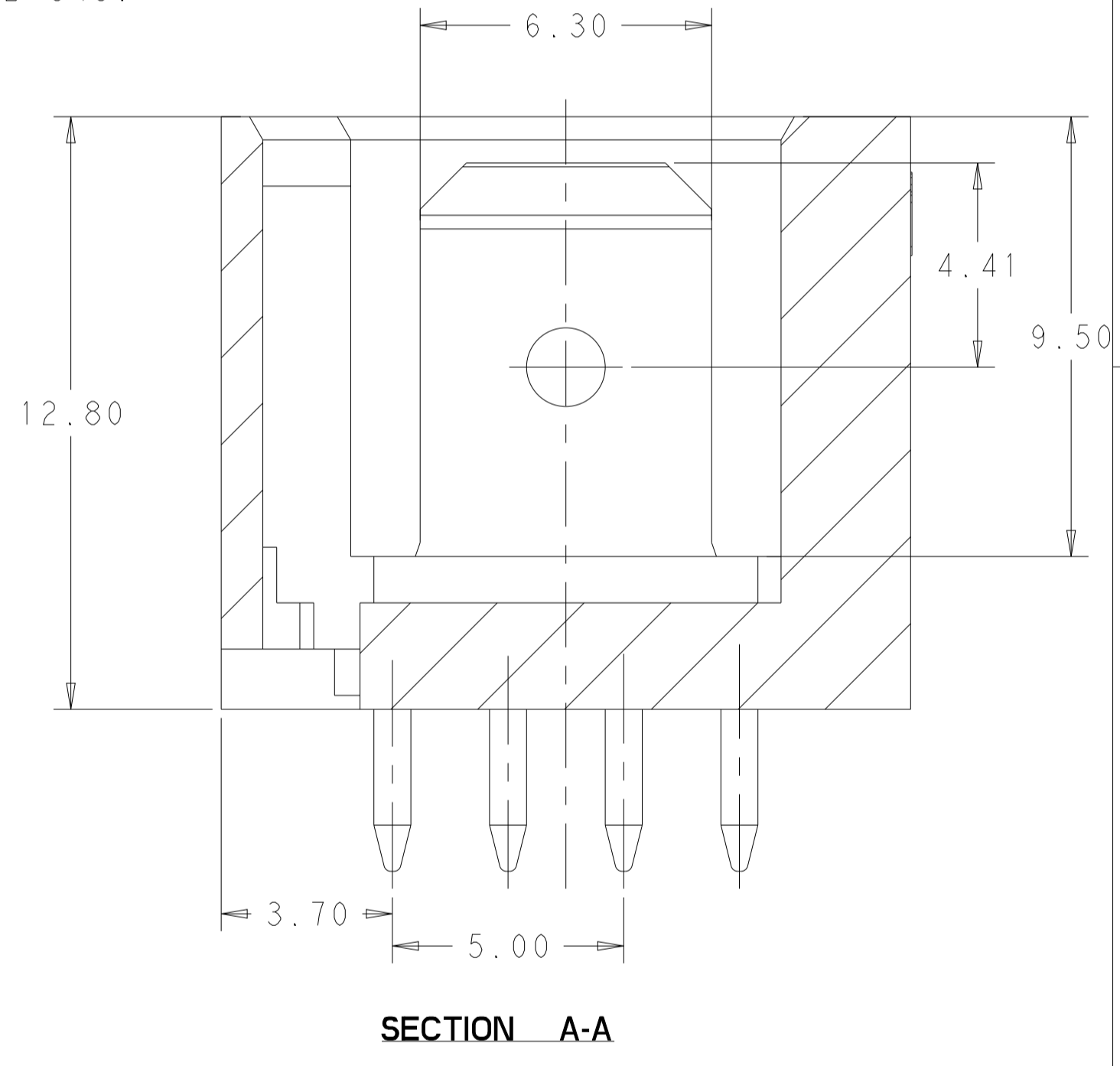
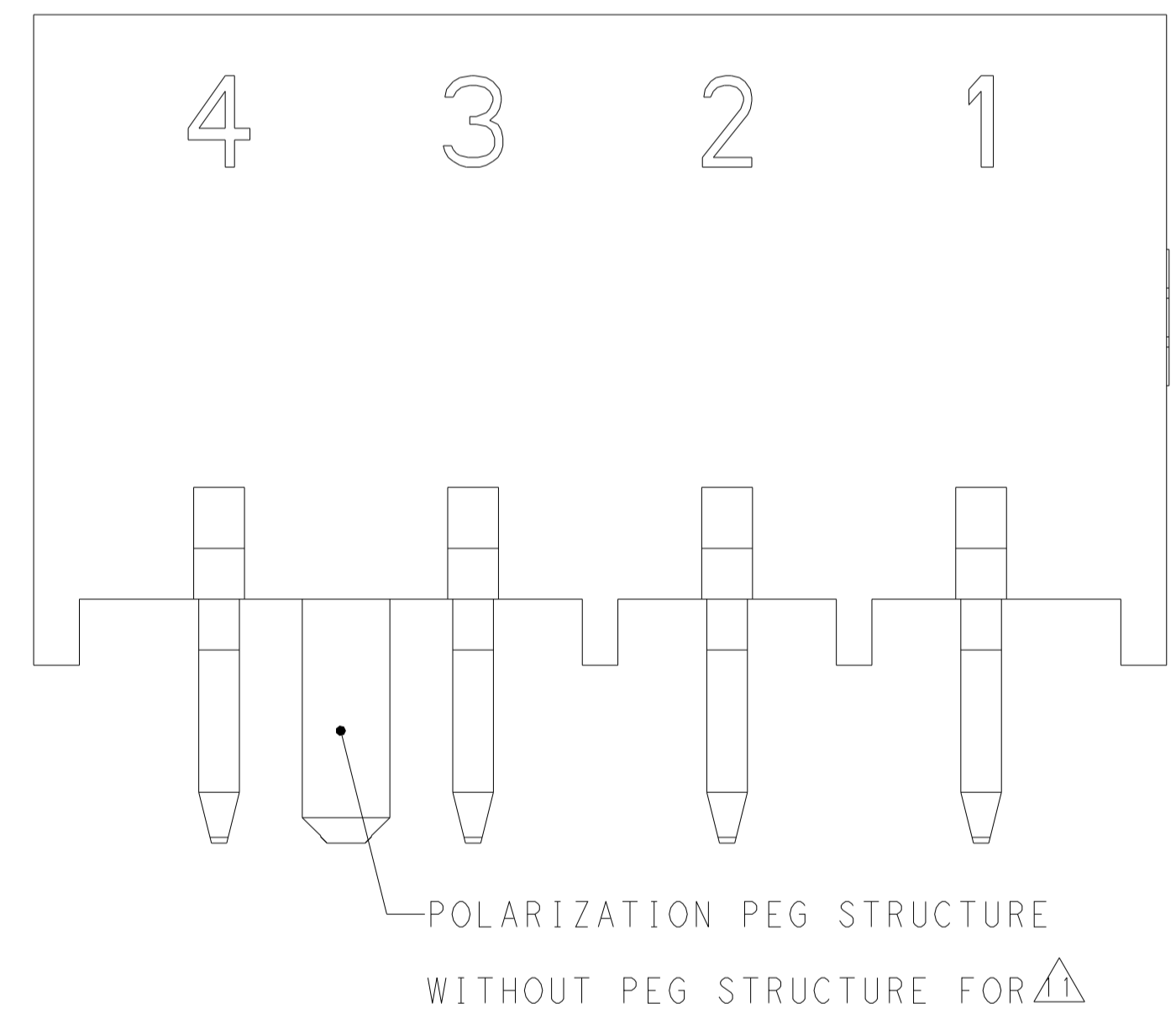
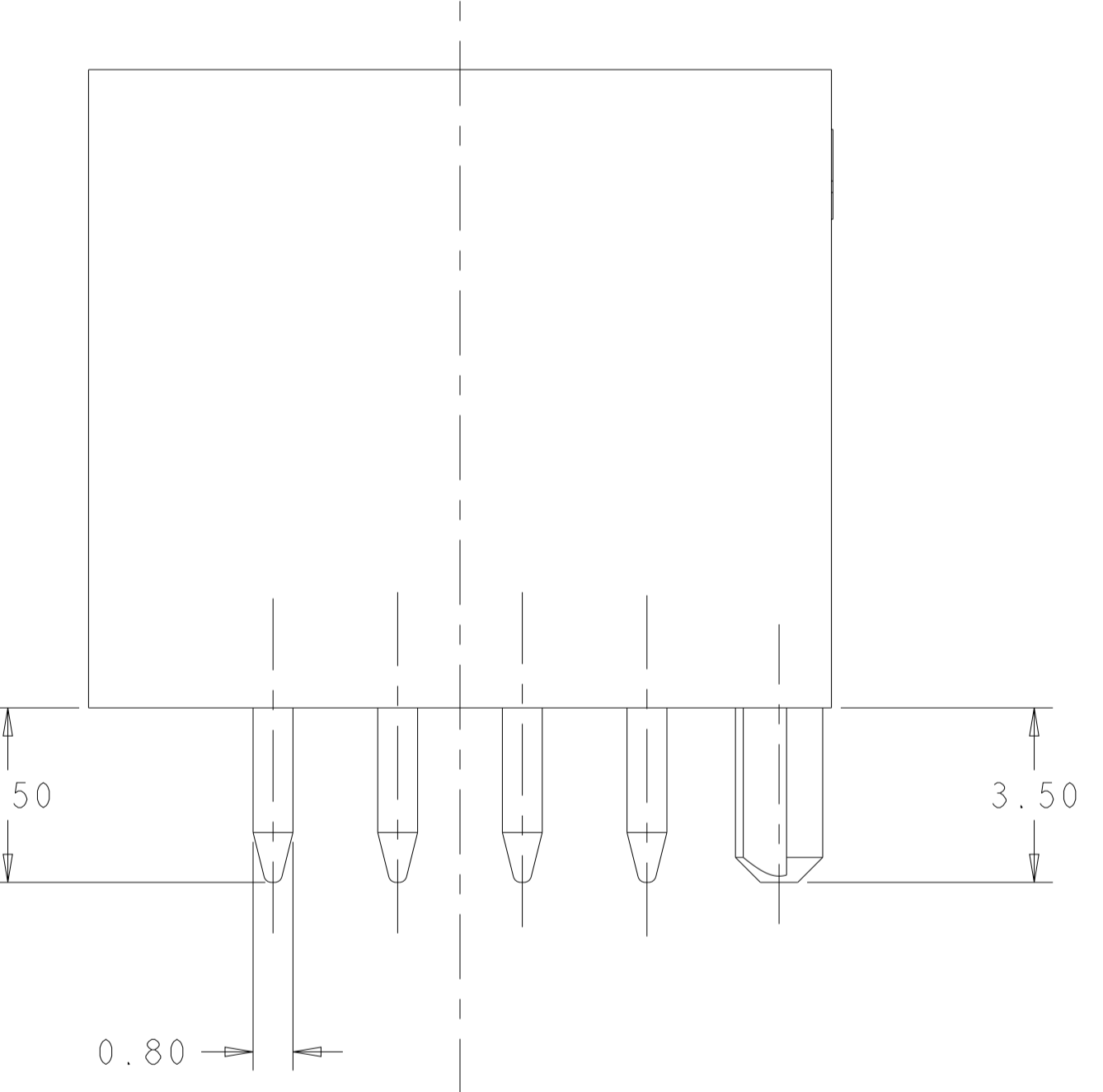
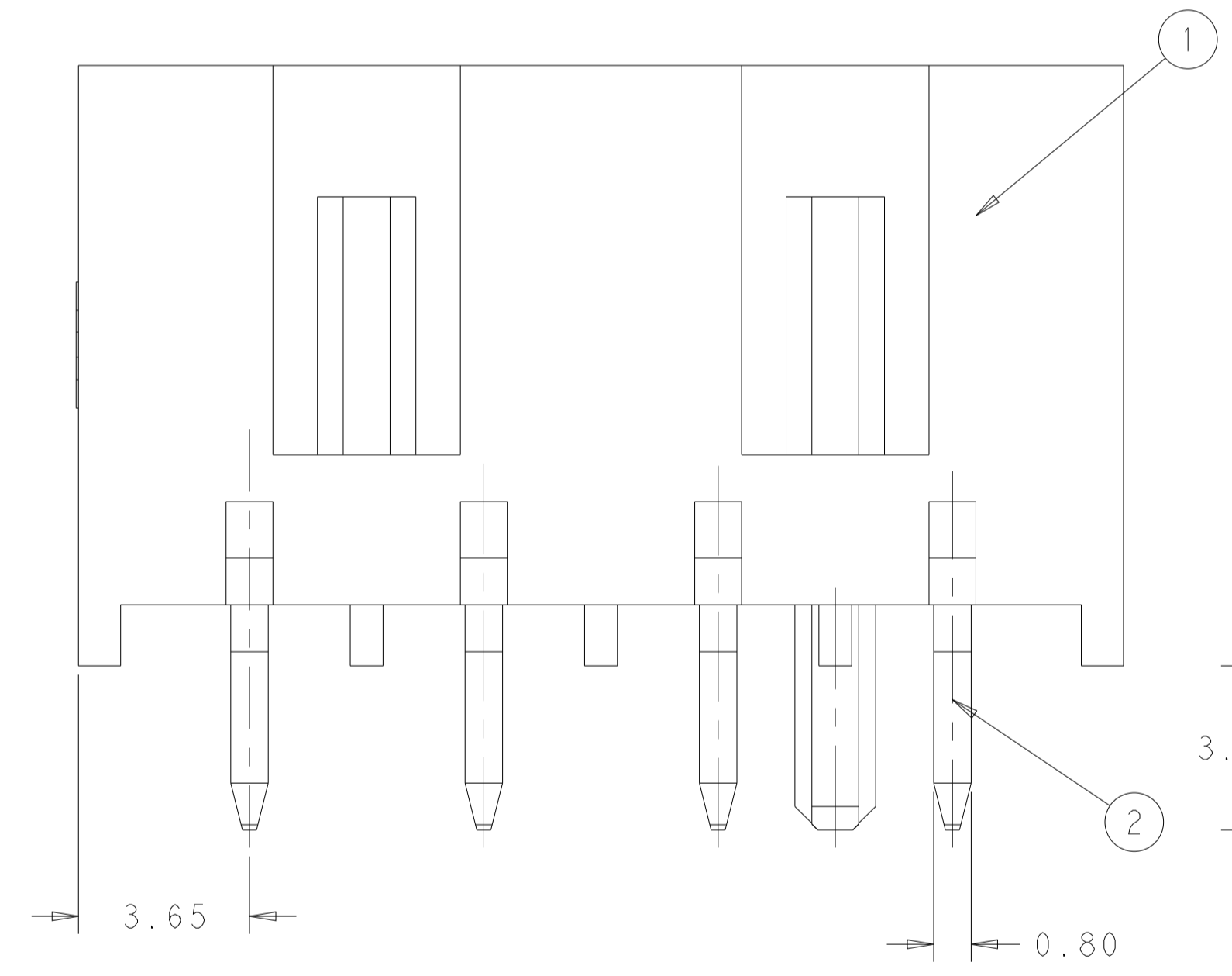


LOC		DIST		REVISIONS			
P	LTN	DESCRIPTION	DATE	OWN	APVD		
B4	ECR-22-135504		17APR2022	WW	FL		
B5	ECR-23-168038		14MAR2023	SM	FL		
B6	ECR-23-174458		11MAY2023	SP	FL		
B7	ECR-23-177634		19JUN2023	SM	FL		

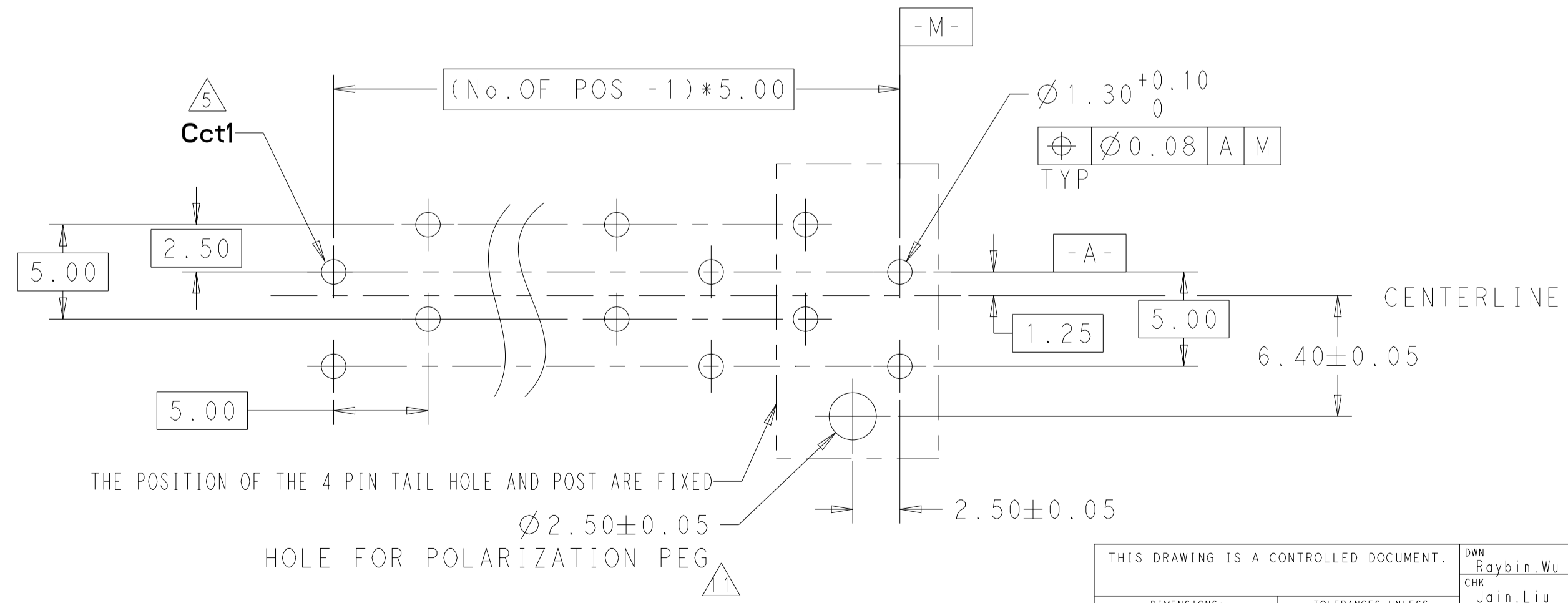


- ⚠ PART NUMBERS WITH TUBE PACKAGING
- ⚠ PART WITHOUT POLARIZATION PEG STRUCTURE (FOR PN: 2316476-3)
- ⚠ TOOL MARK ON TERMINAL SURFACE IS ACCEPTABLE WHICH DOES NOT IMPACT FUNCTION
- ⚠ PACKAGE: PE BAG
- ⚠ MATERIAL: HOUSING, NYLON, UL94 V0, 750°C GWT NO FLAME, 3 ALTERNATIVE RESIN
CONTACT, COPPER ALLOY, 0.8MM THICK

- NOTE
- 1 HOUSING HAS RAST 5 COMPLIANT KEYING, LATCHING, AND POLARIZATION TAB IS 6.30 X 0.8 ACCORDING TO DIN 46244
 - 2 SEE SHEET 2 FOR AVAILABLE CONFIGURATIONS
 - 3 MATERIAL: HOUSING, NYLON, UL94 V0, 750°C GWT NO FLAME
CONTACT, COPPER ALLOY, 0.8MM THICK
 - 4 FINISH: CONTACTS, MATT TIN PLATING OVERALL, NICKEL UNDER-PLATING
BRIGHT TIN PLATING OVERALL, NICKEL UNDER-PLATING
SILVER PLATING OVERALL, NICKEL UNDER-PLATING
 - ⚠ PCB TABS INSERTED IN A STAGGERED PATTERN BEGINNING WITH POSITION 1 (C_c+1)
 - ⚠ THE PART NUMBERS SHOWING IN SHEET 2 & 3 & 4 & 5 ARE FOR NATURAL COLOR. THE PART NUMBER FOR OTHER COLOR ARE BASED ON THE NATURAL ONE: FOR THE SAME CONFIGURATION, THE PREFIX AND POSTFIX OF THE P/N ARE THE SAME, ONLY THE BASE NUMBER IS DIFFERENT ACCORDING TO DIFFERENT COLOR, DETAIL PLEASE SEE SHEET 6
 - 7 PACKAGING: LOOSE PIECE OR TUBE. THE PART NUMBERS IN THIS DRAWING ARE WITH LOOSE PIECE PACKAGING. PLEASE CONTACT TE SALES REPRESENTATIVES FOR TUBE PACKAGING REQUIREMENT.
 - ⚠ PRELIMINARY PART NOT RELEASED FOR PRODUCTION
 - ⚠ FOR P/N: 8-2232043-7:
1) THE CONTACTS ARE WITH BRIGHT TIN PLATING ACCORDING TO STANDARD: ASTM B 545.



RECOMMEND PCB LAYOUT - SOLDER SIDE
 EVEN NUMBER OF PINS
 PCB 15±0.2 THICK



RECOMMEND PCB LAYOUT - SOLDER SIDE
 ODD NUMBER OF PINS
 PCB 15±0.2 THICK

42.30	40.30	8
37.30	35.30	7
32.30	30.30	6
27.30	25.30	5
22.30	20.30	4
17.30	15.30	3
12.30	10.30	2
N	M	NO. OF POS.

THIS DRAWING IS A CONTROLLED DOCUMENT.

OWN: Raybin.Wu	17Mar2014	NAME: RAST 5 TAB HEADER ASSY, OPPOSITE DIN STYLE, TH, VERTICAL
CHK: Jain.Liu	17Mar2014	
APVD: Robone_Rick@tdc	17Mar2014	SIZE: A1
PRODUCT SPEC: 108-106080		CAGE CODE: 2232043
APPLICATION SPEC:		RESTRICTED TO:
MATERIAL:	WEIGHT:	SCALE: 5:1
FINISH:	Customer Drawing	SHEET 1 OF 6
		REV: B7

LOC	DIST	REV	DATE	BY	APPV
ES	00				

QTY	②	QTY	①	NO. OF POS.	TE PART NO.
8	TAB CONTACT MATT TIN PLATING (8-2232043-7 IS WITH BRIGHT TIN)	1	RAST 5 TAB HEADER HOUSING, 8P, NATURE (SEE THE DETAIL LAYOUT ON SHEET 5)	8	5-2232043-8
4-2232043-8					
3-2232043-8					
2-2232043-8					
1-2232043-8					
2232043-8					
9-2232043-7					
8-2232043-7					
7-2232043-7					
6-2232043-7					
5-2232043-7					
4-2232043-7					
3-2232043-7					
2-2232043-7					
1-2232043-7					
7	TAB CONTACT MATT TIN PLATING (8-2232043-7 IS WITH BRIGHT TIN)	1	RAST 5 TAB HEADER HOUSING, 7P, NATURE (SEE THE DETAIL LAYOUT ON SHEET 5)	7	2232043-7
2232045-6					
9-2232043-6					
8-2232043-6					
7-2232043-6					
6-2232043-6					
5-2232043-6					
4-2232043-6					
3-2232043-6					
2-2232043-6					
1-2232043-6					
2232043-6					
2232512-5					
9-2232043-5					
6					TAB CONTACT MATT TIN PLATING (8-2232043-7 IS WITH BRIGHT TIN)
7-2232043-5					
6-2232043-5					
5-2232043-5					
4-2232043-5					
3-2232043-5					
2-2232043-5					
1-2232043-5					
2232043-5					
9-2232043-2					
8-2232043-2					
7-2232043-2					
6-2232043-2					
5-2232043-2					
5	TAB CONTACT MATT TIN PLATING (8-2232043-7 IS WITH BRIGHT TIN)	1	RAST 5 TAB HEADER HOUSING, 5P, NATURE (SEE THE DETAIL LAYOUT ON SHEET 4)	5	
3-2232043-2					
2-2232043-2					
1-2232043-2					
2232043-2					
9-2232043-1					
8-2232043-1					
7-2232043-1					
6-2232043-1					
5-2232043-1					
4-2232043-1					
3-2232043-1					
2-2232043-1					
1-2232043-1					
2232043-1					

QTY	②	QTY	①	NO. OF POS.	TE PART NO.
4	TAB CONTACT MATT TIN PLATING	1	RAST 5 TAB HEADER HOUSING, 4P, NATURE (SEE THE DETAIL LAYOUT ON SHEET 4)	4	5-2232045-4
4-2232045-4					
3-2232045-4					
2-2232045-4					
2232045-4					
9-2232043-4					
8-2232043-4					
7-2232043-4					
6-2232043-4					
5-2232043-4					
4-2232043-4					
3-2232043-4					
2-2232043-4					
1-2232043-4					
3					TAB CONTACT MATT TIN PLATING
2232043-4					
6-2232045-3					
5-2232045-3					
4-2232045-3					
3-2232045-3					
2-2232045-3					
1-2232045-3					
2232045-3					
9-2232043-3					
8-2232043-3					
7-2232043-3					
6-2232043-3					
5-2232043-3					
2	TAB CONTACT MATT TIN PLATING	1	RAST 5 TAB HEADER HOUSING, 2P, NATURE (SEE THE DETAIL LAYOUT ON SHEET 4)	2	
4-2232043-3					
3-2232043-3					
2-2232043-3					
1-2232043-3					
2303420-3					
2232043-3					
4-2232045-2					
3-2232045-2					
2-2232045-2					
1-2232045-2					
2232045-2					
9-2232043-2					
8-2232043-2					

THIS DRAWING IS A CONTROLLED DOCUMENT.

DIMENSIONS: TOLERANCES UNLESS OTHERWISE SPECIFIED:
 0 PLC ±
 1 PLC ±
 2 PLC ±0.25
 3 PLC ±
 4 PLC ±
 ANGLES ±2°
 FINISH

MATERIAL: -
 WEIGHT: -
 CUSTOMER DRAWING

DWN: HUIPING_WU 30-Jan-13
 CHK: HAPYE_WU 30-Jan-13
 APVD: THM 30-Jan-13
 PRODUCT SPEC: -
 APPLICATION SPEC: -
 WEIGHT: -
 CUSTOMER DRAWING

STE TE Connectivity
 NAME: RAST 5 TAB HEADER ASSY, OPPOSITE DIN STYLE, TH, VERTICAL
 SIZE: A1 CAGE CODE: 00779 DRAWING NO: 2232043
 SCALE: N/A SHEET 2 OF 6 REV B

LOC	DIST	REV	DATE	BY	APPV
ES	00				

QTY	DESCRIPTION	QTY	NO. OF POS.	TE PART NO.
3	TAB CONTACT W/SILVER PLATING	1	3	2316476-3

QTY	DESCRIPTION	QTY	NO. OF POS.	TE PART NO.
8	TAB CONTACT w/ SILVER PLATING	1	8	5-2232044-8
				4-2232044-8
				3-2232044-8
				2-2232044-8
				1-2232044-8
				2232044-8
				9-2232044-7
				8-2232044-7
7	TAB CONTACT w/ SILVER PLATING	1	7	7-2232044-7
				6-2232044-7
				5-2232044-7
				4-2232044-7
				3-2232044-7
				2-2232044-7
				1-2232044-7
6	TAB CONTACT w/ SILVER PLATING	1	6	2232044-7
				2232046-6
				9-2232044-6
				8-2232044-6
				7-2232044-6
				6-2232044-6
5	TAB CONTACT w/ SILVER PLATING	1	5	5-2232044-6
				4-2232044-6
				3-2232044-6
				2-2232044-6
				1-2232044-6
	2232044-6			
				8-2232044-5
				9-2232044-5
				8-2232044-5
				7-2232044-5
				6-2232044-5
				5-2232044-5
				4-2232044-5
				3-2232044-5
				2-2232044-5
				1-2232044-5
				2232044-5

QTY	DESCRIPTION	QTY	NO. OF POS.	TE PART NO.
4	TAB CONTACT w/ SILVER PLATING	1	4	5-2232046-4
				4-2232046-4
				3-2232046-4
				2-2232046-4
				1-2232046-4
				2232046-4
				9-2232044-4
				8-2232044-4
				7-2232044-4
				6-2232044-4
				5-2232044-4
				4-2232044-4
				3-2232044-4
				2-2232044-4
				1-2232044-4
				2232044-4
				8-2232046-3
				4-2232046-3
				3-2232046-3
				2-2232046-3
				1-2232046-3
				2232046-3
				9-2232044-3
				8-2232044-3
				7-2232044-3
				6-2232044-3
				5-2232044-3
				4-2232044-3
				3-2232044-3
				2-2232044-3
				1-2232044-3
				2304587-3
				2232044-3
				4-2232046-2
				3-2232046-2
				2-2232046-2
				1-2232046-2
				2232046-2
				9-2232044-2
				8-2232044-2
				7-2232044-2
				6-2232044-2
				5-2232044-2
				4-2232044-2
				3-2304587-2
				3-2232044-2
				2-2232044-2
				1-2232044-2
				2232044-2

THIS DRAWING IS A CONTROLLED DOCUMENT.

OWN: RUIPING_WU
 CHK: HAPYE_WU
 APVD: YHM
 DATE: 30-Jan-13

NAME: RAST 5 TAB HEADER ASSY, OPPOSITE DIN STYLE, TH, VERTICAL

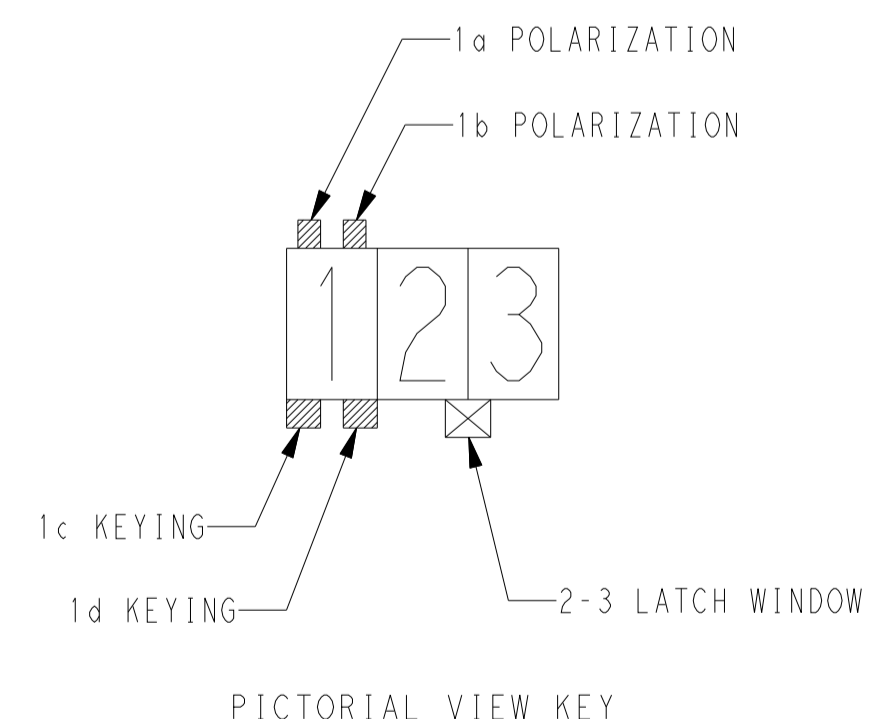
SIZE: A1
 CAGE CODE: 00779
 DRAWING NO: 2232043

RESTRICTED TO: -

CUSTOMER DRAWING

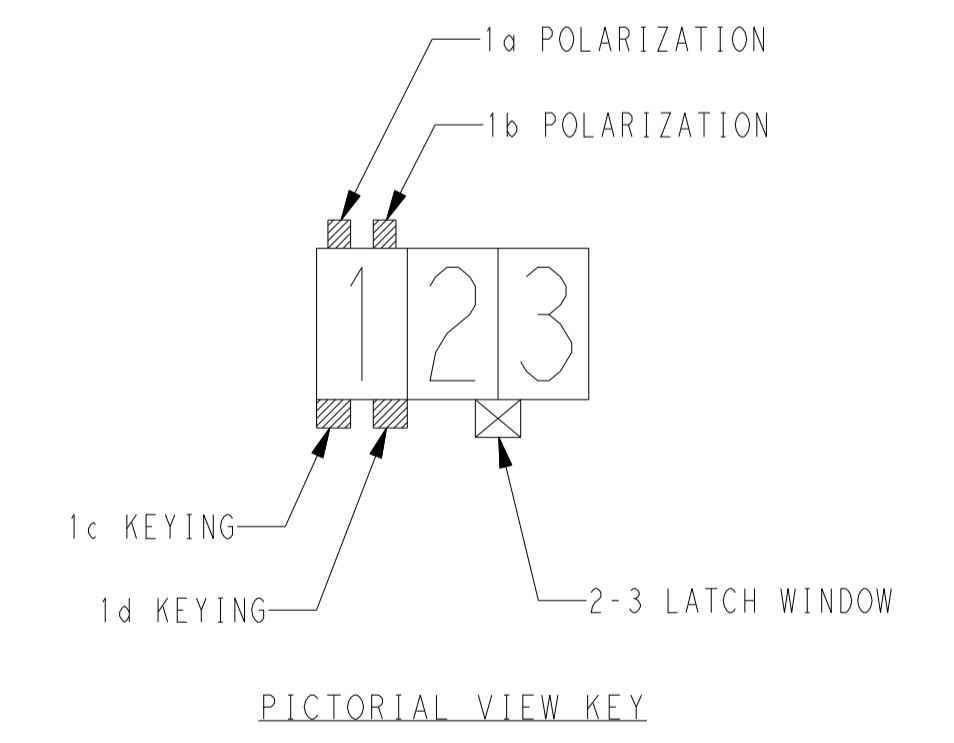
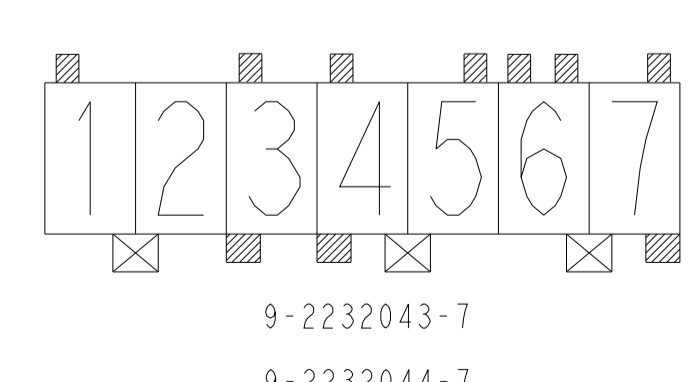
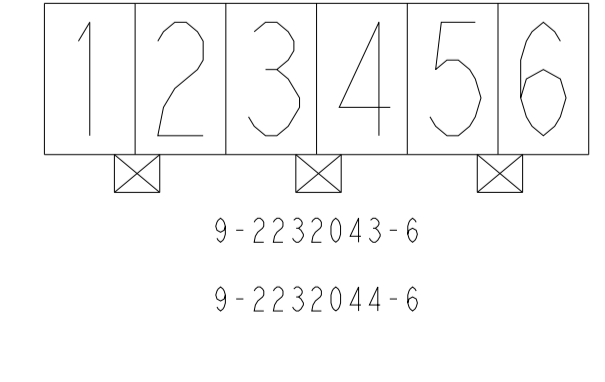
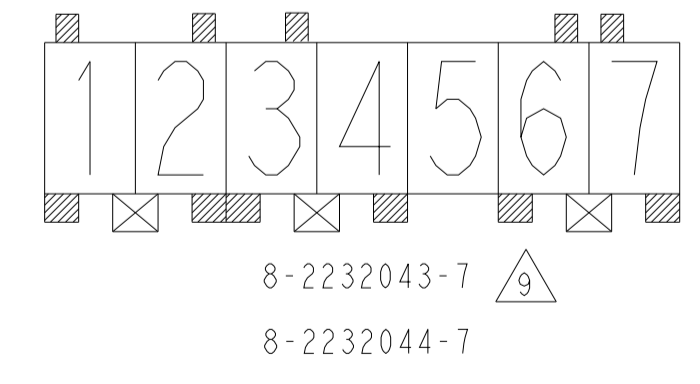
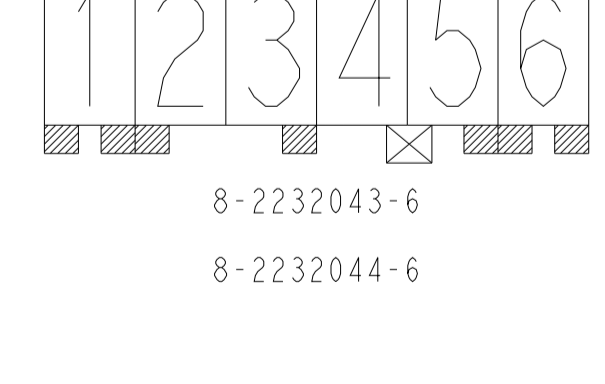
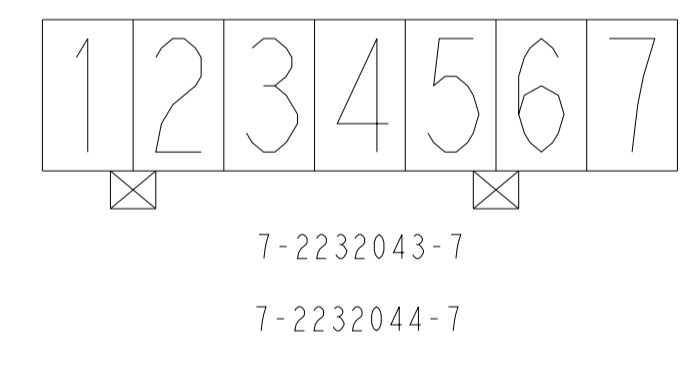
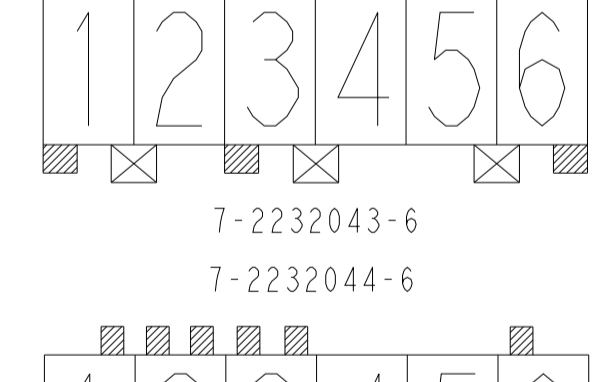
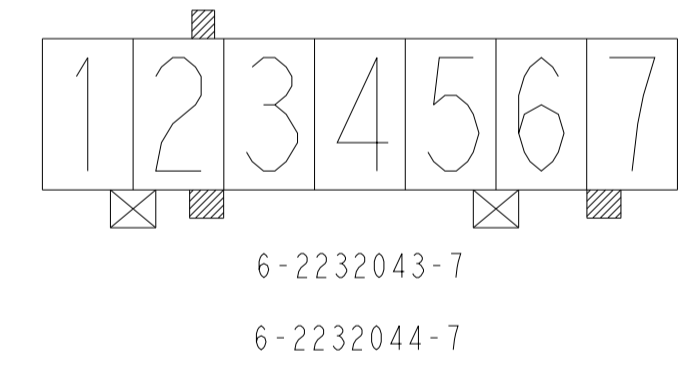
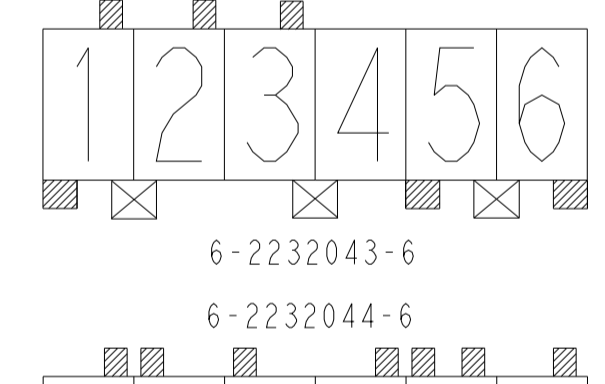
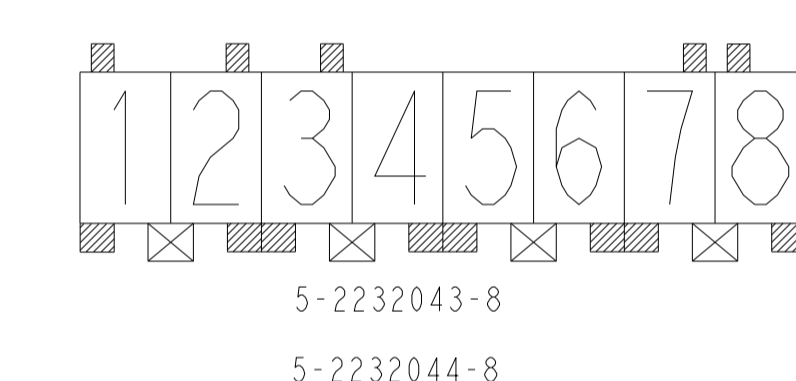
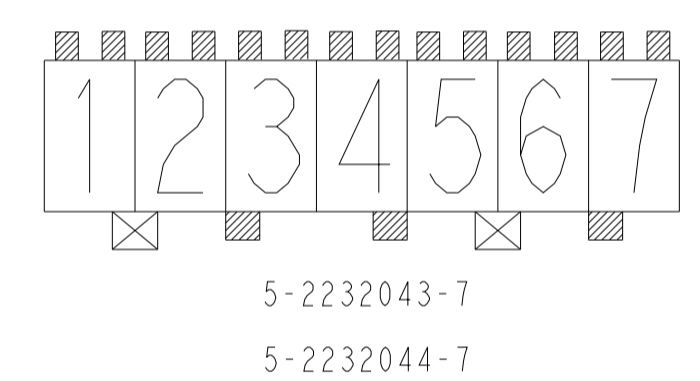
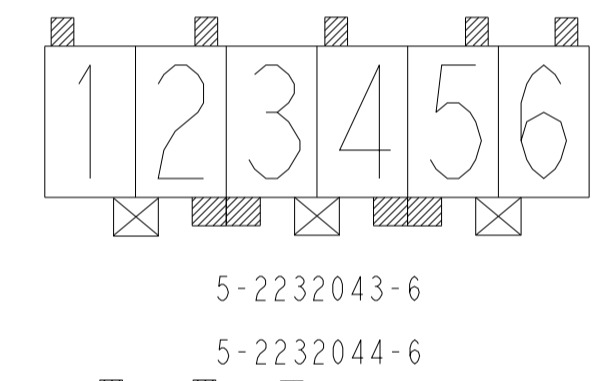
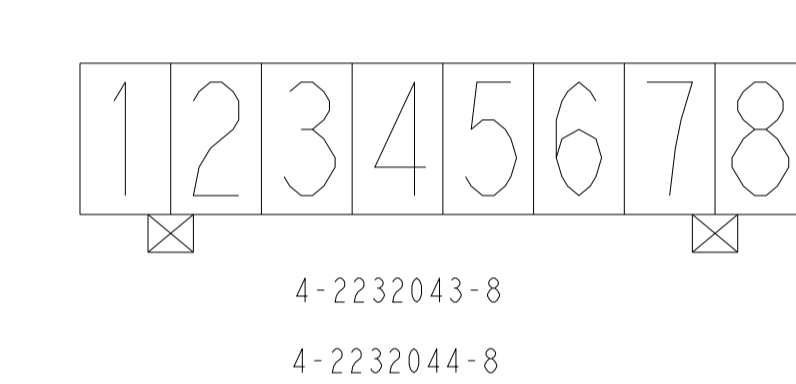
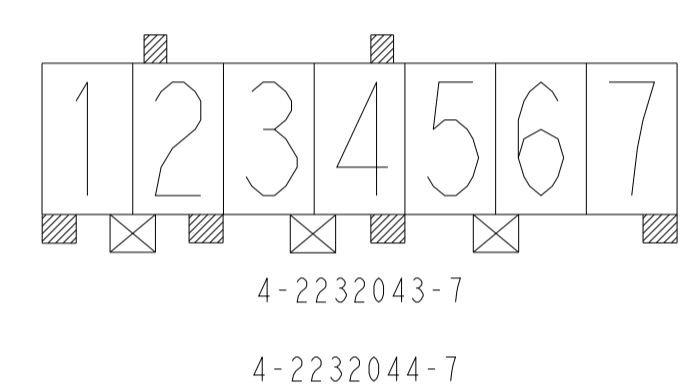
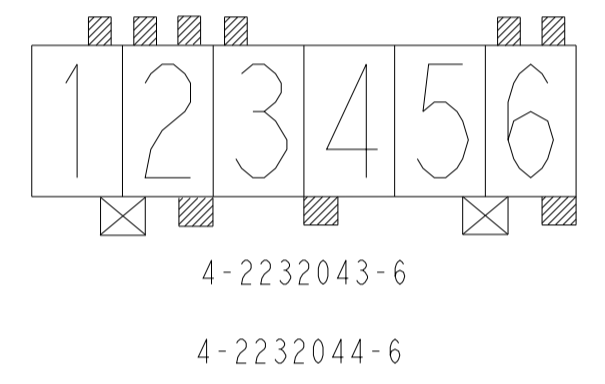
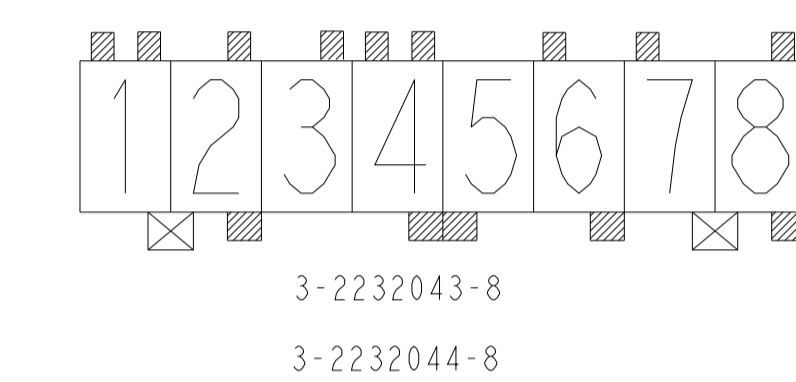
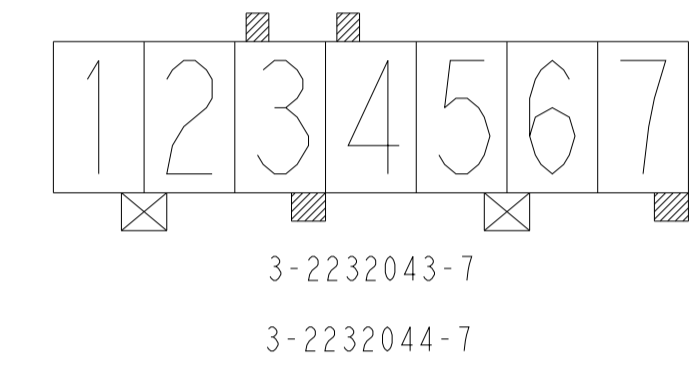
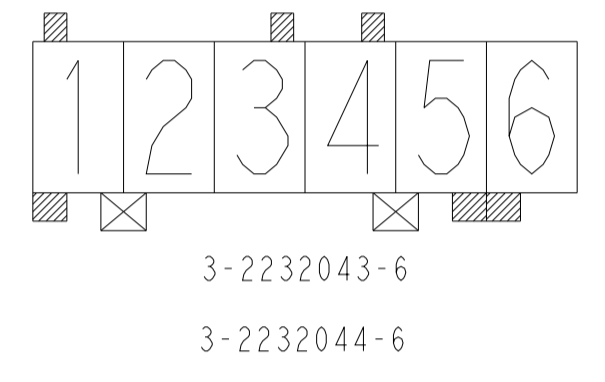
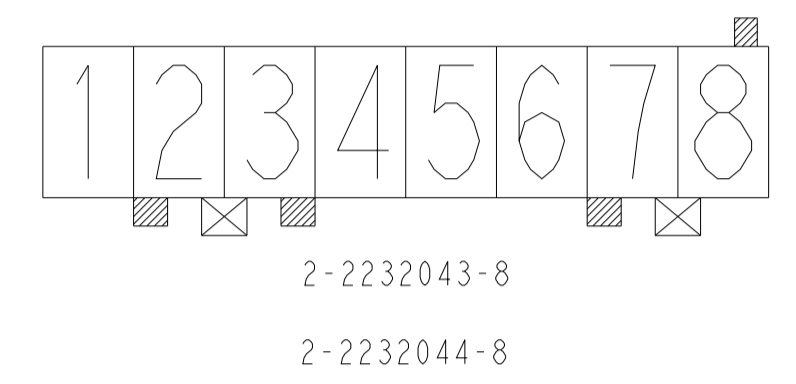
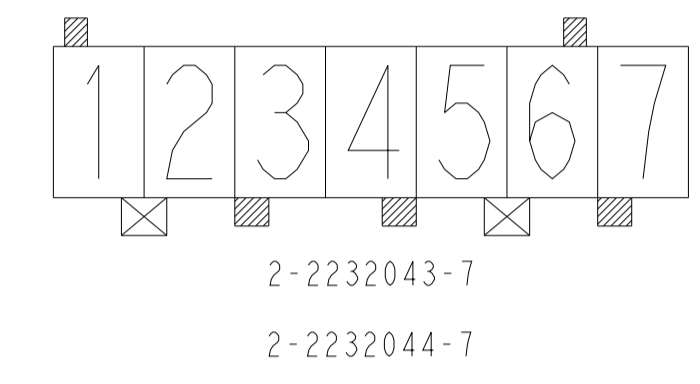
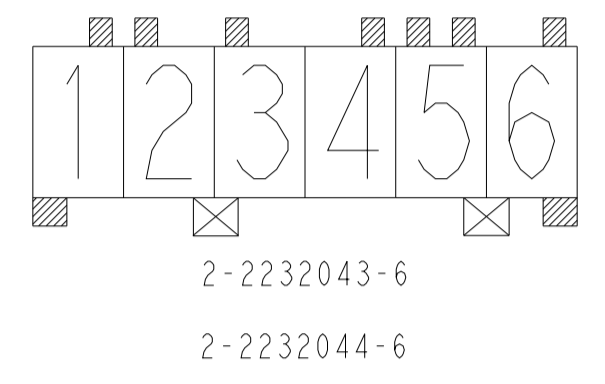
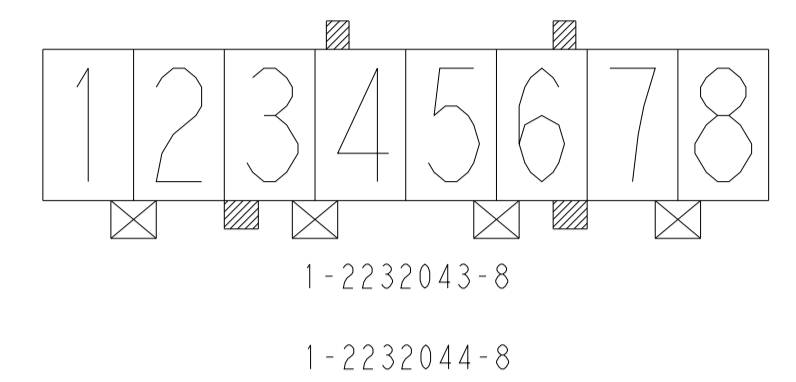
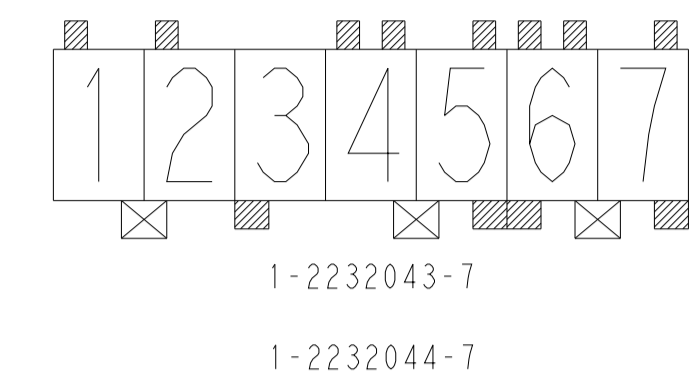
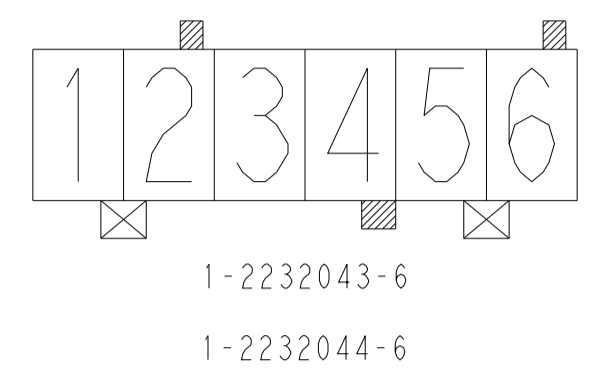
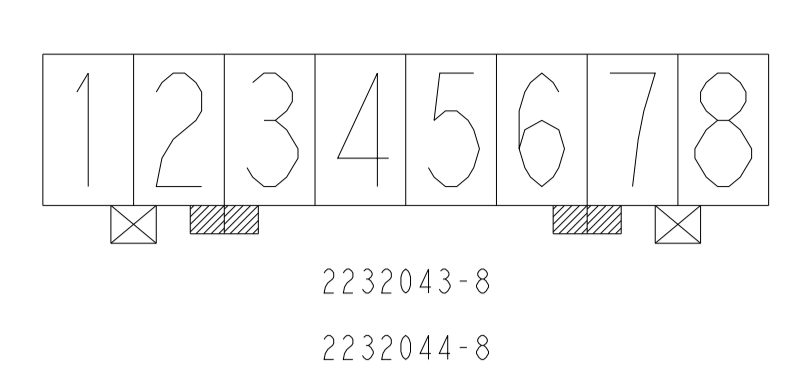
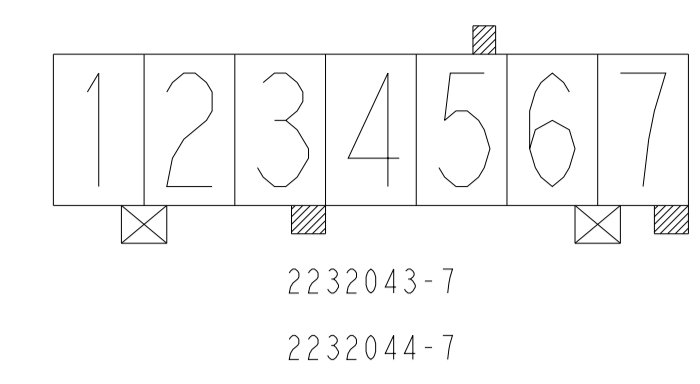
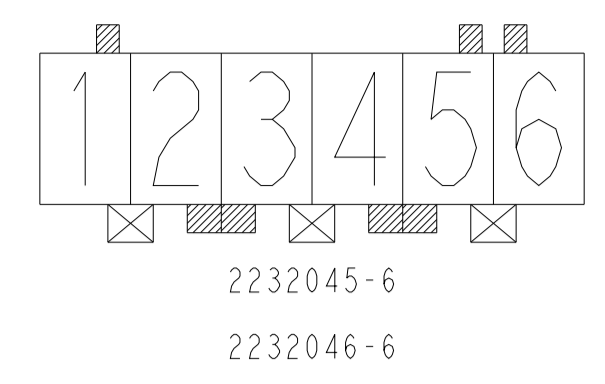
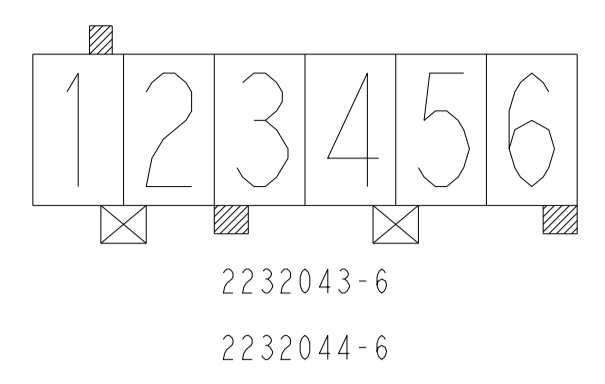
SCALE: N/A
 SHEET: 3 OF 6
 REV: B

LOC	DIST	REVISIONS					
ES	00	P	LTN	DESCRIPTION	DATE	DWN	APVD
				SEE SHEET 1			



THIS DRAWING IS A CONTROLLED DOCUMENT.		DWN RUIPING.WU	30-Jan-13	TE Connectivity NAME RAST 5 TAB HEADER ASSY, OPPOSITE DIN STYLE, TH, VERTICAL
DIMENSIONS:		CHK HAPYE.WU	30-Jan-13	
TOLERANCES UNLESS OTHERWISE SPECIFIED:		APVD YIM	30-Jan-13	SIZE A1
mm		PRODUCT SPEC		CAGE CODE 00779
0 PLC ± 1 PLC ± 2 PLC ±0.25 3 PLC ± 4 PLC ± ANGLES ± FINISH ±		APPLICATION SPEC		DRAWING NO 2232043
MATERIAL		WEIGHT		RESTRICTED TO
		CUSTOMER DRAWING		SCALE N/A
				SHEET 4 OF 6
				REV B

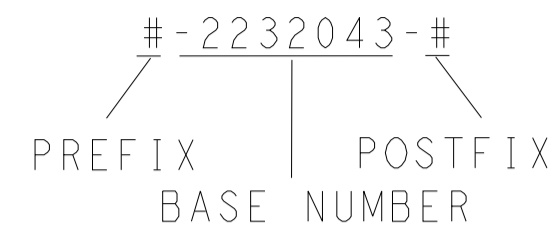
LOC	DIST	REVISIONS					
ES	00	P	LTN	DESCRIPTION	DATE	DMN	APVD
		-		SEE SHEET 1	-	-	-



THIS DRAWING IS A CONTROLLED DOCUMENT.		DMN: RUIPING WU 30-Jan-13	TE Connectivity NAME: RAST 5 TAB HEADER ASSY, OPPOSITE DIN STYLE, TH, VERTICAL
DIMENSIONS: mm		CHK: HAPYE WU 30-Jan-13	
TOLERANCES UNLESS OTHERWISE SPECIFIED:		APVD: YIM 30-Jan-13	SIZE: A1
0 PLC ±	1 PLC ±0.25	PRODUCT SPEC	CAGE CODE: 00779
2 PLC ±	3 PLC ±	APPLICATION SPEC	DRAWING NO: 2232043
4 PLC ±	ANGLES ±2°	FINISH	RESTRICTED TO: -
MATERIAL: -	WEIGHT: -	CUSTOMER DRAWING	SCALE: N/A
		SHEET 5 OF 6	
		REV B	

LOC	DIST	REV	DATE	BY	APPV
-	-				
SEE SHEET 1					

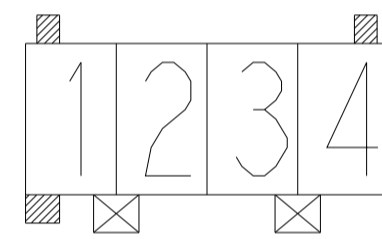
FOR ANY KEYING CONFIGURATION, THERE ARE EIGHT COLORS AVAILABLE. BESIDES THE NATURAL COLOR, THERE ARE OTHER SEVEN COLORS, INCLUDE: YELLOW, BLUE, GREY, PURPLE, RED, GREEN, BLACK. THE WHITE VERSION IS PRELIMINARY. THE P/N OF THE COLOR CONNECTOR ARE BASED ON THE NATURAL CONNECTOR. THE PREFIX AND POSTFIX ARE THE SAME FOR THE SAME KEYING CONFIGURATION, BUT THE BASE NUMBERS ARE DIFFERENT ACCORDING TO DIFFERENT COLOR. THE FOLLOWING SHOWS WHAT'S THE P/N FOR COLOR CONNECTOR



COLOR	PART NUMBER OF THE CONNECTOR				COMMENTS
	WITH MATT TIN PLATING CONTACT (SPECIAL P/N: 8-2232043-7 ARE WITH BRIGHT TIN)		WITH AG PLATING CONTACT		
NATURAL	#-2232043-# ⁹	#-2232045-#	#-2232044-#	#-2232046-#	THE DETAIL P/N FOR DIFFERENT KEYING SEE SHEET 2-5
	/	/	#-2461807-# ¹³	/	
RED	#-2232055-#	#-2232057-#	#-2232056-#	#-2232058-#	THE PREFIX AND POSTFIX ARE THE SAME WITH THE P/N OF THE NATURAL CONNECTOR FOR THE SAME KEYING CONFIGURATION, JUST THE BASE NUMBERS ARE DIFFERENT BASED ON DIFFERENT COLOR. # CAN BE THE NUMBER FROM 0 TO 9.
BLUE	#-2232047-#	#-2232049-#	#-2232048-#	#-2232050-#	
YELLOW	#-2232063-#	#-2232065-#	#-2232064-#	#-2232066-#	
BLACK	#-2232059-#	#-2232061-#	#-2232060-#	#-2232062-#	
GREY	#-2232067-#	#-2232069-#	#-2232068-#	#-2232070-#	
GREEN	#-2232051-#	#-2232053-#	#-2232052-#	#-2232054-#	
PURPLE	#-2232071-#	#-2232073-#	#-2232072-#	#-2232074-#	
WHITE	#-2232298-#	#-2232300-#	#-2232299-#	#-2232301-#	

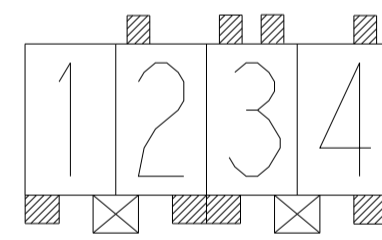
COLOR	PART NUMBER OF THE CONNECTOR		COMMENTS
	WITH BRIGHT PLATING CONTACT		
NATURAL	#-2232924-#	#-2232925-#	THE KEYING, POLARIZATION AND LATCH WINDOW CONFIGURATION ARE SAME AS THE MATT TIN CONNECTOR WITH THE SAME PREFIX AND POSTFIX FOR EACH COLOR. FOR EXAMPLE: 2232924-4 AND 2232043-4 HAVE SAME KEYING, POLARIZATION AND LATCH WINDOW CONFIGURATION. 2232925-4 AND 2232045-4 HAVE SAME KEYING, POLARIZATION AND LATCH WINDOW CONFIGURATION. THE DETAIL KEYING, POLARIZATION AND LATCH WINDOW CONFIGURATION FOR EACH P/N, PLEASE SEE SHEET 2-5
RED	#-2232926-#	#-2232927-#	
BLUE	#-2232928-#	#-2232929-#	
YELLOW	#-2232930-#	#-2232931-#	
BLACK	#-2232932-#	#-2232933-#	
GREY	#-2232934-#	#-2232935-#	
GREEN	#-2232936-#	#-2232937-#	
PURPLE	#-2232938-#	#-2232939-#	
WHITE	#-2232940-#	#-2232941-#	

FOR EXAMPLE, IF A CONNECTOR WITH THE CONFIGURATION AS BELOW, AND WITH TIN PLATING CONTACT, IN THE SHEET 4, WE CAN FIND THE RELATED CONNECTOR P/N WITH NATURAL COLOR IS 1-2232043-4, THEN WE CAN LOOK IN THE ABOVE TABLE TO FIND THE CONNECTOR P/N WITH RED COLOR IS 1-2232055-4



1-2232043-4

FOR ANOTHER EXAMPLE, IF A CONNECTOR WITH THE CONFIGURATION AS BELOW, AND WITH TIN PLATING CONTACT, IN THE SHEET 4, WE CAN FIND THE RELATED CONNECTOR P/N WITH NATURAL COLOR IS 1-2232045-4, THEN WE CAN LOOK IN THE ABOVE TABLE TO FIND THE CONNECTOR P/N WITH RED COLOR IS 1-2232057-4



1-2232045-4

THIS DRAWING IS A CONTROLLED DOCUMENT.		OWN RUIPING.WU 19-Jun-23	TE Connectivity NAME RAST 5 TAB HEADER ASSY, OPPOSITE DIN STYLE, TH, VERTICAL
DIMENSIONS:		CHK HAPYE.WU 19-Jun-23	
mm	TOLERANCES UNLESS OTHERWISE SPECIFIED:	APPV YIM 19-Jun-23	SIZE A100779C=2232043
0 PLC ±	1 PLC ±.25	PRODUCT SPEC	RESTRICTED TO
2 PLC ±	3 PLC ±	APPLICATION SPEC	
4 PLC ±	ANGLES ±2°	FINISH	SCALE 5:1 SHEET 6 OF 6 REV B7
MATERIAL		WEIGHT	Customer Drawing