



### Electrical specifications

**Center Frequency:** 1800 MHz  
**Bandwidth:** 200 MHz  
**VSWR in BW:** 1.5 : 1 min  
**Insertion Loss (Fo):** 1.5 dB max  
**Ripple in BW:** 1.0 dB max  
**Input / Output Impedance:** 50 Ohms  
**Rejection:** 38dB min at 1600MHz  
**Rejection 2:** 28dB min at 2000MHz  
**Rejection 3:** 40dB min at 900MHz  
**Power Handling:** 3 watt

### Mechanical

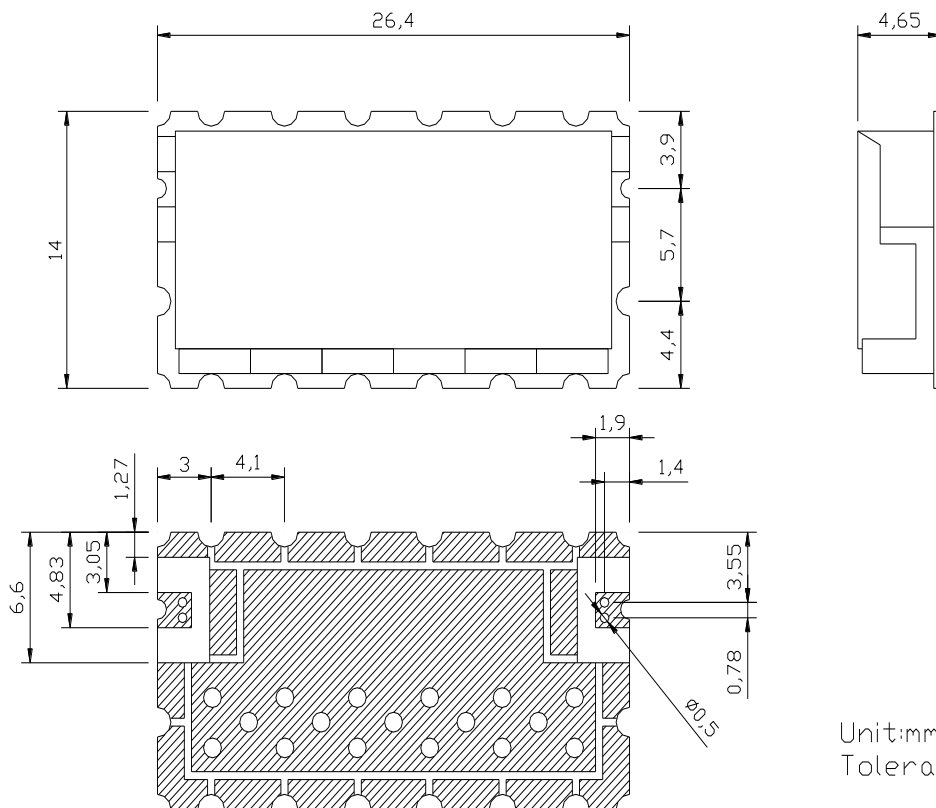
**Mounting Method:** SMT  
**Dimensions:** 26.4 x 14 x 4.65 mm

### Environmental

**Operating Temperature:** -20 to +70 deg. C  
**Storage Temperature:** -50 to +90 deg. C

**This product is RoHs compliant.**

### Outline Drawing:



Unit:mm  
Tolerance:±0.3