

## RA-3100 Series Remote Power Controller, Rated up to 60 Amps, 115/208 VAC

### Product Facts

- 3PST NO
- Gasket sealed



### Performance Data

#### Electrical Characteristics

**Contact Arrangement** — 3PST NO

**Rated Operating Voltage** — 115/208 VAC, 400-610 Hz, 3 phase

**Resistive Rating** — 50 Amp

**Motor Rating** — 30 Amp

**Rupture Rating** — 1000 Amp

**Closing Time, Max., Override at 28 Vdc** — 35 msec

**Opening Time, Max., Override at 28 Vdc** — 25 msec

**Contact Bounce, Max.** — 3 msec

#### Coil Characteristics

**Duty Cycle** — Continuous, economizing

**Operating Voltage, Max.** — 32 Vdc  
**Operating Voltage @ 85°C, Min.** — 18 Vdc

**Trip Time @ 60 Amp Current +10%** — 2.0 to 3.0 sec

**Trip Time @ 75 Amp Current +10%** — 1.0 to 1.9 sec

**Trip Time @ 95 Amp Current +10%** — .2 to .9 sec

**Trip Time @ 200+ Amp Current +10%** — 0.01 to 0.1 sec

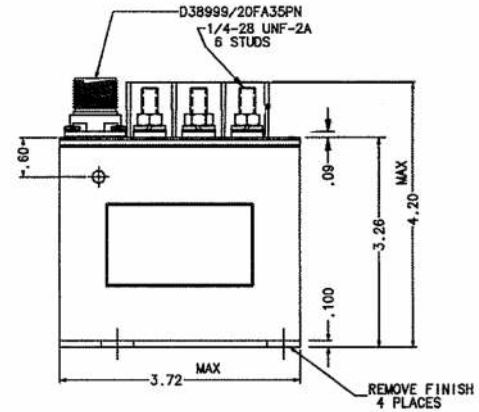
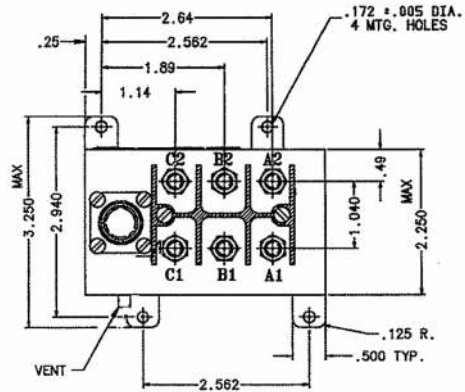
#### General Characteristics

**Temperature Range** — -55°C to +85°C

**Operating Cycles (Life)** — 100,000 cycles

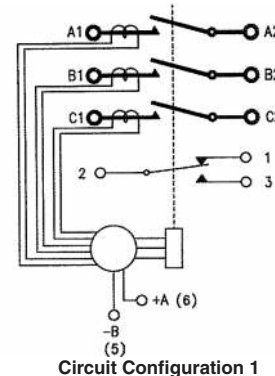
**Altitude** — 50,000 ft

**Weight, Max.** — 1.55 lbs



Mounting Style A

**Circuit Configurations** (Consult factory for other available circuit configurations)



Circuit Configuration 1

For factory-direct application assistance, phone 419-521-9500 or fax 419-526-2749.

HARTMAN Part Number	Construction Type	Mounting Style	Coil Type	Circuit Config.	TE Part Number
RA-3100H	Gasket/Vented	A	Continuous, Economizing	1	1616539-3

## RA-3100 Series Remote Power Controller, Rated up to 70 Amps, 115/208 VAC

### Product Facts

- 3PST NO
- Gasket sealed



### Performance Data

#### Electrical Characteristics

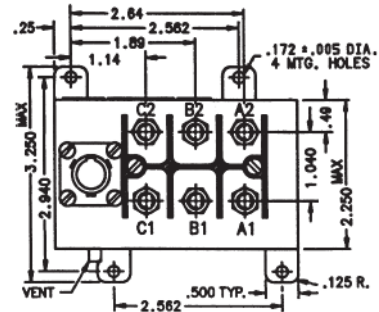
- Contact Arrangement** — 3PST NO
- Rated Operating Voltage** — 115/208 VAC, 400-610 Hz, 3 phase
- Resistive Rating** — 70 Amp
- Motor Rating** — 70 Amp
- Rupture Rating** — 1,000 Amp

#### Coil Characteristics

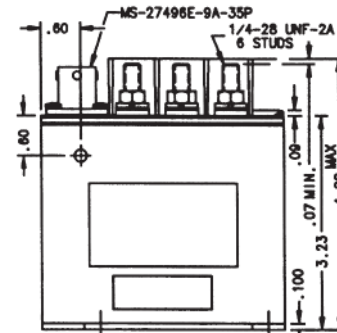
- Duty Cycle** — Continuous, economizing
- Operating Voltage, Max.** — 32 Vdc
- Operating Voltage @ 85°C, Min.** — 18 Vdc
- Trip Time @ 70 Amp Current +10%** — 3.0 to 5.0 sec
- Trip Time @ 87 Amp Current +10%** — 2.0 to 2.9sec
- Trip Time @ 111 Amp Current +10%** — 1.0 to 1.8 sec
- Trip Time @ 200 Amp Current +10%** — 0.25 to 0.5 sec

#### General Characteristics

- Operating Temperature Range** — -55°C to +85°C
- Altitude** — 50,000 ft max.
- Weight, Max.** — 1.55 lb
- Sinusoidal Vibration** — .038 DA from 10 to 50 Hz  
10g from 55 to 2000 Hz
- Shock, Max.** — 9 G max for 10-12 ms
- Load, Min.** — 50,000 cycles
- Operating Cycles (Life)**
- Mechanical, Min.** — 100,000 cycles

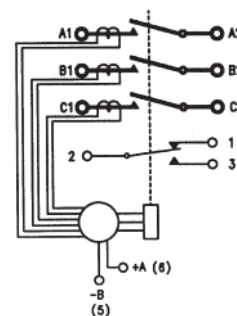


NOTE: FOR PROPER OPERATION, PIN A REQUIRES 18 TO 28 VDC



Mounting Style A

**Circuit Configurations** (Consult factory for other available circuit configurations)



Circuit Configuration 1

For factory-direct application assistance, phone 419-521-9500 or fax 419-526-2749.

HARTMAN Part Number	Construction Type	Mounting Style	Coil Type	Circuit Config.	TE Part Number
RA-3100F	Gasket/Vented	A	Continuous, Economizing	1	1616133-2

## RA-3100 Series Remote Power Controller, Rated up to 100 Amps, 115/208 VAC

### Product Facts

- 3PST NO
- Gasket sealed
- Auxiliary contacts available
- Meets many requirements of MIL-PRF-6106



### Performance Data

#### Electrical Characteristics

**Contact Arrangement** — 3PST NO

**Rated Operating Voltage** — 115/208 VAC, 400-610 Hz, 3 phase

**Resistive Rating** — 100 Amp

**Motor Rating** — 100 Amp

**Rupture Rating** — 1,000 Amp

**Closing Time, Max., at 28 Vdc** — 35 msec

**Opening Time, Max., at 28 Vdc** — 25 msec

**Contact Bounce, Max.** — 3 msec

#### Coil Characteristics

**Duty Cycle** — Continuous, economizing

**Operating Voltage, Max.** — 32 Vdc

**Operating Voltage @ 85°C, Min.** — 18 Vdc

**Coil Current, Inrush Max. @ 25°C** — 6.0 Amps

**Coil Current, Hold Max. @ 25°C** — 0.5 Amps

**Trip Time @ 28 Amp Current +10%** —

RA-3100M - 1.0 to 1.50 sec

**Trip Time @ 151 Amp Current +10%** — RA-3100D - 3.0 to 5.0 Sec.

**Trip Time @ 185 Amp Current +10%** — RA-3100D - 2 to 2.9 Sec.

**Trip Time @ 237 Amp Current +10%** — RA-3100D - 1 to 2.5 Sec.

#### General Characteristics

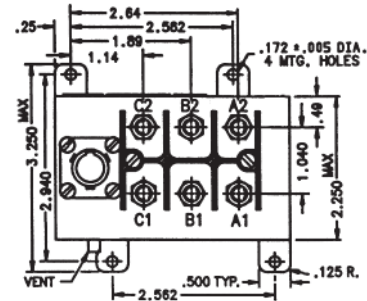
**Temperature Range** — -55°C to +85°C

**Operating Cycles (Life) at Rated Load, Min.** — 50,000 cycles

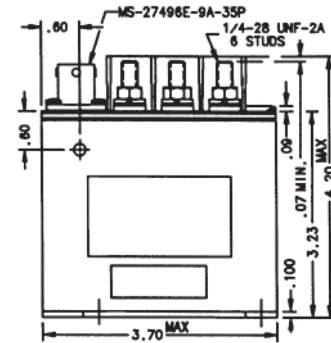
**Operating Cycles (Life) Mechanical, Min.** — 100,000 cycles

**Altitude** — 50,000 ft

**Weight, Max.** — 1.55 lbs

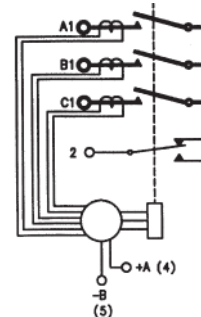


NOTE: FOR PROPER OPERATION, PIN A REQUIRES 18 TO 28 VDC



Mounting Style A

**Circuit Configurations** (Consult factory for other available circuit configurations)



Circuit Configuration 1

HARTMAN Part Number	Construction Type	Mounting Style	Coil Type	Circuit Config.	TE Part Number
RA-3100D	Gasket/Vented	A	Continuous, Economizing	1	1616133-1
RA-3100M	Gasket/Vented	A	Continuous, Economizing	1	1616133-5

For factory-direct application assistance, phone 419-521-9500 or fax 419-526-2749.

## RA-3100 Series Remote Power Controller, Rated up to 110 Amps, 115/208 VAC

### Product Facts

- 3PST NO
- Gasket sealed
- Auxiliary contacts available
- Meets many requirements of MIL-PRF-6106



### Performance Data

#### Electrical Characteristics

**Contact Arrangement** — 3PST NO

**Rated Operating Voltage** — 115/208 VAC, 400-610 Hz, 3 phase

**Resistive Rating** —

RA-3100J-1 - 110 Amp

RA-3100L - 50 Amp

**Motor Rating** —

RA-3100J01 - 110 Amp

RA-3100L - 50 Amp

**Rupture Rating** —

RA-3100J-1 - 1,100 Amp

RA-3100L - 500 Amp

**Shock for 10-12 msec** — 50 G

**Closing Time, Max., Override at 28 Vdc** — 35 msec

**Opening Time, Max., Override at 28 Vdc** — 25 msec

**Contact Bounce, Max.** — 3 msec

#### Coil Characteristics

**Duty Cycle** — Continuous, economizing

**Operating Voltage, Max.** — 32 Vdc

**Operating Voltage @ 85°C, Min.** — 18 Vdc

**Coil Current, Inrush Max. @ 25°C** — 6.0 Amps

**Coil Current, Hold Max. @ 25°C** — 0.5 Amps

**Trip Time @ 165 Amp Current +10%** — 8.0 to 10.0 sec

**Trip Time @ 330 Amp Current +10%** —

RA-3100J-1 - 1.2 to 2.0 sec

**Trip Time @ 550 Amp Current +10%** —

RA-3100J-1 - 0.34 to 0.65 sec

**Trip Time @ 1100 Amp Current +10%** —

RA-3100J-1 - 0.07 to 0.20 sec

For factory-direct application assistance, phone 419-521-9500 or fax 419-526-2749.

**Trip Time @ 60 Amp Current +10%** —

RA-3100L - 8.0 to 10.0 sec

**Trip Time @ 150 Amp Current +10%** —

RA-3100L - 4.0 to 6.0 sec

**Trip Time @ 300 Amp Current +10%** —

RA-3100L - 2.0 to 3.0 sec

**Trip Time @ 500 Amp Current +10%** —

RA-3100L - 0.07 to 0.20 sec

### General Characteristics

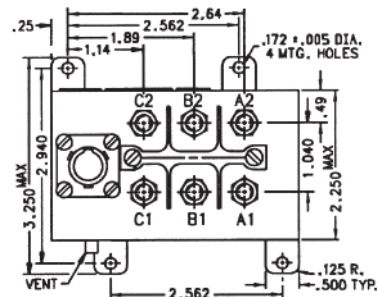
**Temperature Range** — -55°C to +85°C

**Operating Cycles (Life) at Rated Load, Min.** — 50,000 cycles

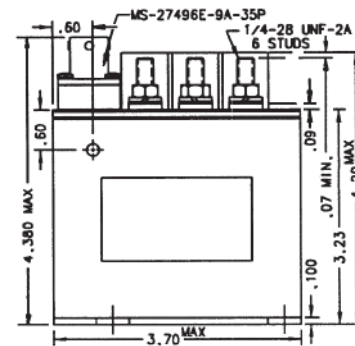
**Operating Cycles (Life) Mechanical, Min.** — 100,000 cycles

**Altitude** — 60,000 ft

**Weight, Max.** — 1.55 lbs

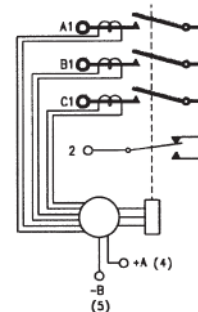


NOTE: FOR PROPER OPERATION, PIN A REQUIRES 18 TO 28 VDC



Mounting Style A

**Circuit Configurations** (Consult factory for other available circuit configurations)



Circuit Configuration 1

HARTMAN Part Number	Construction Type	Mounting Style	Coil Type	Circuit Config.	TE Part Number
RA-3100J-1	Gasket/Vented	A	Continuous, Economizing	1	1616133-3
RA-3100L	Gasket/Vented	A	Continuous, Economizing	1	1616133-4