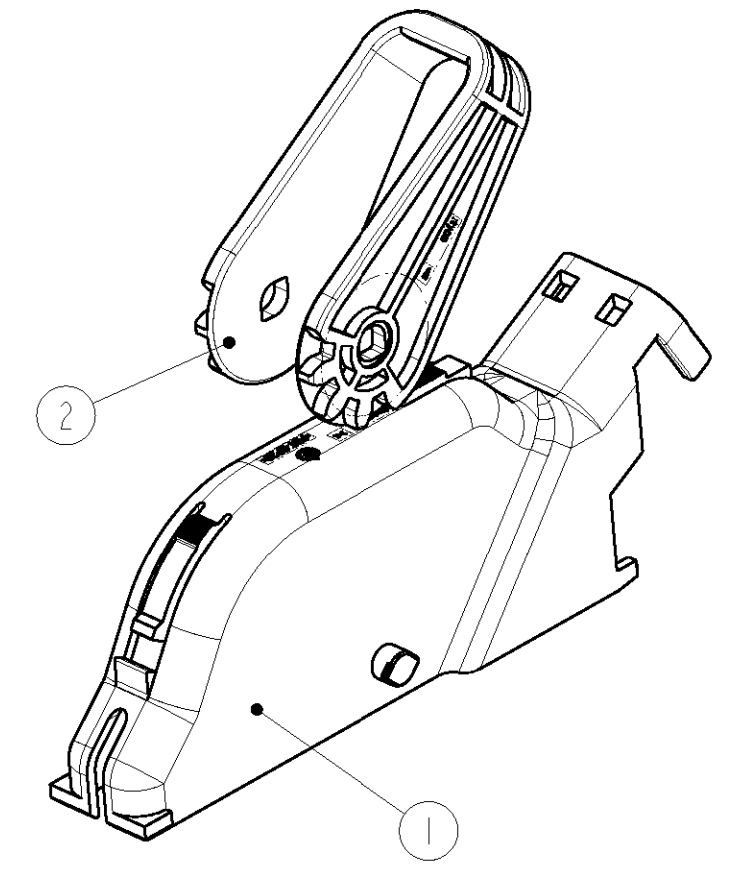
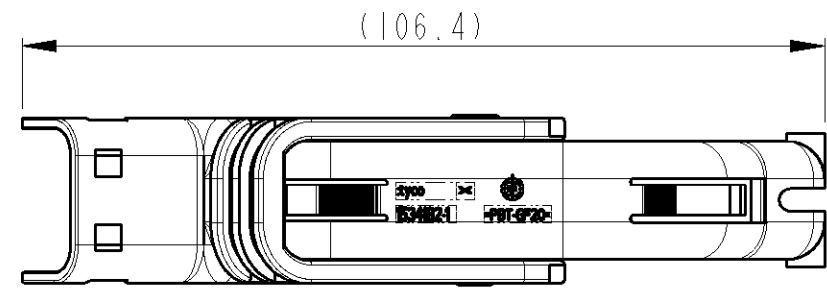
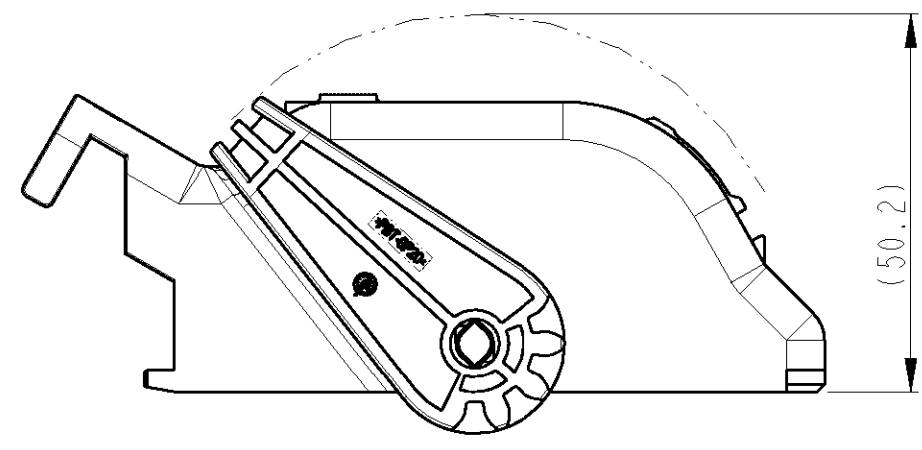
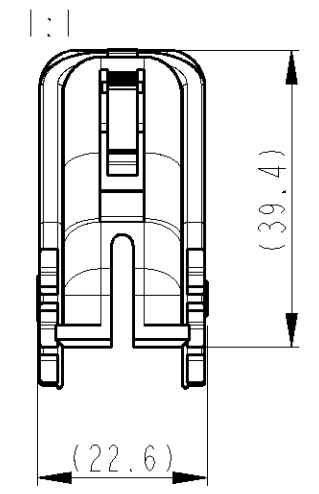
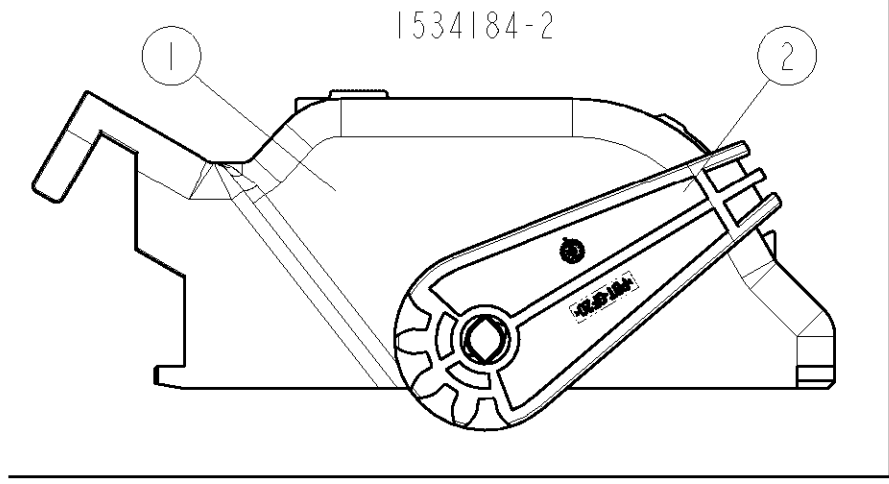


THIS DRAWING IS UNPUBLISHED. RELEASED FOR PUBLICATION 2000
 © COPYRIGHT 2000 BY TYCO ELECTRONICS CORPORATION. ALL RIGHTS RESERVED.

LOC	DIST	REVISIONS			
P	LTR	DESCRIPTION	DATE	DWN	APVD
A1	-	Zeichnung neu erstellt	02JUL2001	RD	-
B1	-	Kappe überarbeitet	15MAY2002	RD	-
C1	-	Kappe überarbeitet	20NOV2002	RD	-



Bemerkungen

1 Verpackung: Schuetztgut

Notes

1 PACKAGING: LOOSE PIECE

AS SHOWN
 wie gezeichnet

ORDER-NO. Bestell-Nr.	Rev.	PART-NO. Teil-Nr.	Rev.	Material	COLOUR Farbe	DESCRIPTION Benennung	St.	Nr.
1534184-2	C	1534183-1	A	PBT-GF20	VIOLET/violett	LEVER/Hebel	1	2
		1534182-1	C	PBT-GF20	BLACK/schwarz	COVER/Abdeckkappe	1	1
1534184-1	C	1534183-1	A	PBT-GF20	VIOLET/violett	LEVER/Hebel	1	2
		1534182-1	C	PBT-GF20	BLACK/schwarz	COVER/Abdeckkappe	1	1

THIS DRAWING IS A CONTROLLED DOCUMENT FOR TYCO ELECTRONICS CORPORATION. IT IS SUBJECT TO CHANGE AND THE CONTROLLING ENGINEERING ORGANIZATION SHOULD BE CONTACTED FOR THE LATEST REVISION.

DIMENSIONS: mm	TOLERANCES UNLESS OTHERWISE SPECIFIED: 0 PLC 1 PLC 2 PLC 3 PLC ANGLES FINISH	ACC. TO DIN 16901-140 CENTRIC TO NOMINAL DIM ±1°	DWN R. Dierkes 02JUL2001 CHK B. Kirsch 01AUG2001 APVD - PRODUCT SPEC - APPLICATION SPEC - WEIGHT -	 tyco Electronics AMP GmbH D - 64625 Bensheim NAME COVER, ASSSY, MCP-HSG., 32POSN. Abdeckkappe, ZSB, MCP-Gehaeuse 32pol. SIZE A3 CAGE CODE 00779 DRAWING NO C-1534184 RESTRICTED TO -
MATERIAL -	FINISH -		CUSTOMER DRAWING	SCALE 2:1 SHEET 1 OF 1 REV C1