

# HC-B06-HCWS-PLR-BK - Protective cover



1346525

<https://www.phoenixcontact.com/us/products/1346525>

Please be informed that the data shown in this PDF document is generated from our online catalog. Please find the complete data in the user documentation. Our general terms of use for downloads are valid.

Protective cover B6, with single locking latch, protective cover material: PC, height: 26.3 mm, seal: yes



## Commercial data

Item number	1346525
Packing unit	1 pc
Minimum order quantity	1 pc
Sales key	BF66
Product key	BF7AZC
GTIN	4063151659851
Weight per piece (including packing)	37.3 g
Weight per piece (excluding packing)	37.3 g
Customs tariff number	85389099
Country of origin	CN

# HC-B06-HCWS-PLR-BK - Protective cover

1346525

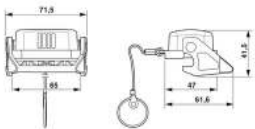
<https://www.phoenixcontact.com/us/products/1346525>

## Technical data

### Product properties

Type	B6
Product type	Protective cover
Housing type	Protective cover
Seal present	yes

### Dimensions

Dimensional drawing	
Width	47.4 mm
Height	26.3 mm
Length	71.5 mm
Diameter	40 mm

### Material specifications

Material	PC
Flammability rating according to UL 94	V0
Seal material	NBR
Material, protective cover	PC

### Environmental and real-life conditions

#### Ambient conditions

Degree of protection	IP66
Ambient temperature (operation)	-40 °C ... 125 °C

### Mounting

Assembly instructions	Double eyelet for mounting on a cable / below screw head Plastic protective cover for short-term protection
-----------------------	--

# HC-B06-HCWS-PLR-BK - Protective cover

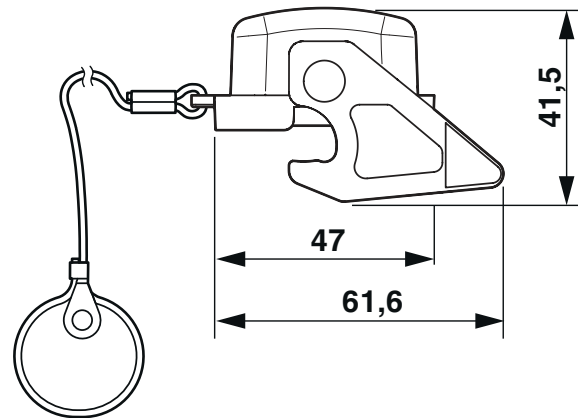
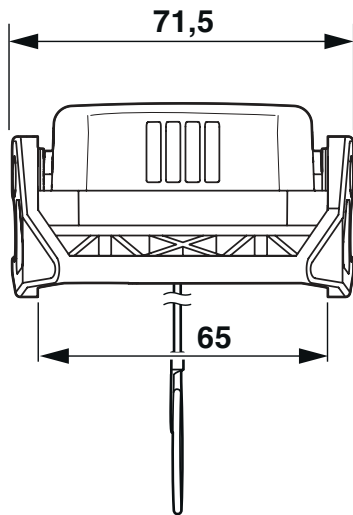


1346525

<https://www.phoenixcontact.com/us/products/1346525>

## Drawings

Dimensional drawing



Dimensional drawing

# HC-B06-HCWS-PLR-BK - Protective cover



1346525

<https://www.phoenixcontact.com/us/products/1346525>

## Approvals

To download certificates, visit the product detail page: <https://www.phoenixcontact.com/us/products/1346525>



**EAC**

Approval ID: RU C-DE.BL08.B.00511

**DNV**

Approval ID: TAE000037S

# HC-B06-HCWS-PLR-BK - Protective cover



1346525

<https://www.phoenixcontact.com/us/products/1346525>

## Classifications

### ECLASS

ECLASS-11.0	27440208
ECLASS-12.0	27440208
ECLASS-13.0	27440208

### ETIM

ETIM 8.0	EC002314
----------	----------

### UNSPSC

UNSPSC 21.0	39121400
-------------	----------

# HC-B06-HCWS-PLR-BK - Protective cover



1346525

<https://www.phoenixcontact.com/us/products/1346525>

## Environmental product compliance

China RoHS	Environmentally friendly use period: unlimited = EFUP-e
	No hazardous substances above threshold values

Phoenix Contact 2023 © - all rights reserved  
<https://www.phoenixcontact.com>

Phoenix Contact USA  
586 Fulling Mill Road  
Middletown, PA 17057, United States  
(+717) 944-1300  
[info@phoenixcon.com](mailto:info@phoenixcon.com)