

DESCRIPTION: ABOVE AND BELOW P.C.B., DECK IS AS VIEWED BY USER.

| PRODUCT NO. 72305-XXX | STAND-OFF HEIGHT DIM L | (A) HEADER ASSY 71249-XXXX | (B) MECHANISM ASSY 72304/92791-XXX | (C) MATING RECEPTACLE | MOUNTING STYLE TO PCB |
|--------------------------|------------------------------|----------------------------------|--|--|--------------------------|
| 000 | 0.0 | 0000 | 72304-000 | 100 POSITION (2x50) 0.8mm RECEPTACLE PART NO. 73277-101000 ORDER SEPARATELY | |
| 020 | 2.2 | 0022 | 72304-022 | | |
| 040 | 4.3 | 0043 | 72304-043 | | |
| 050 | 5.0 | 0050 | 72304-050 | | |
| 005 | 0.0 | 0500 | 72304-000 | | |
| 025 | 0.0 | 0522 | 72304-000 | | |
| 045 | 0.0 | 0543 | 72304-000 | | |
| 055 | 0.0 | 0550 | 72304-000 | | |
| 520 | 2.2 | 5022 | 92791-022S | | |
| 540 | 4.3 | 5043 | 92791-043S | | |
| 550 | 5.0 | 5050 | △ 92791-052 | | |
| 525 | 0.0 | 5522 | 92791-001S | | |
| 545 | 0.0 | 5543 | 92791-001S | | |
| 555 | 0.0 | 5550 | 92791-001S | | |

NOTE:

- SEE 72306 FOR DOUBLE DECK ASSEMBLY

ORDERING INFORMATION

ORDER:

- EJECT HEADER ASSY (72305-XXX)
- MATING RECEPTACLE (73277-101000)

| | | | | | | | | | |
|--------------------|--------------|---------------------------------------|----------|------------------|-----------|------------|---|--|---|
| mat'l. code | | surface | | tolerance | | projection | | product family | |
| | | ISO 1302 | | ISO 406 ISO 1181 | | 1:1 | | CARDBUS | |
| ltr ecn no dr date | | tolerances unless otherwise specified | | angles | | linear | | title | |
| E | V02257 | TFG | 11/3/00 | | | | | CARDBUS SINGLE DECK ASS'Y SMT TYPE 123 | |
| F | N05-0074 | WB | 03/14/05 | ±2' | | | | scale | |
| G | N06-0012 | MZ | 01/16'06 | | | | | MM | |
| H | N06-0129 | M.Z | 05/11'06 | dr | Mike Zhou | 05/10/06 | | dwg no sheet 1 of 11 size | |
| J | N07-0109 | DT | 5/7/07 | engr | Mike Zhou | 05/10/06 | | 72305 A4 | |
| K | N08-0028 | MZ | 2/25'08 | chr | Mike Zhou | 05/10/06 | | type CUSTOMER Drawing | |
| L | BLX-N-011409 | ZK | 04/07/12 | appa | Qin David | 05/10/06 | | | |
| sheet | revision | L | L | L | L | L | L | L | L |
| index | sheet | 1 | 2 | 3 | 4 | 5 | 6 | 7 | 8 |

FCI CONFIDENTIAL

FCI
FCIconnect.com

This document is the property of and embodies CONFIDENTIAL and PROPRIETARY information of FCI. No part of this information shown on this document may be used in any way or disclosed to others without the written consent of FCI.
Copyright FCI.

DESCRIPTION: ABOVE AND BELOW P.C.B., DECK IS AS VIEWED BY USER.

| PRODUCT NO. 72305-XXX | STAND-OFF HEIGHT DIM L | Ⓐ HEADER ASSY 71249-XXXX | Ⓑ MECHANISM ASSY 72304/92791-XXX | Ⓒ MATING RECEPTACLE | MOUNTING STYLE TO PCB |
|--------------------------|------------------------------|--------------------------------|--|---|--------------------------|
| 000LF | 0.0 | 0000LF | 72304-000 | 100 POSITION (2x50) 0.8mm RECEPTACLE PART NO. 73277-101402LF ⚠ ORDER SEPARATELY | |
| 020LF | 2.2 | 0022LF | 72304-022 | | |
| 040LF | 4.3 | 0043LF | 72304-043 | | |
| 050LF | 5.0 | 0050LF | 72304-050 | | |
| 005LF | 0.0 | 0500LF | 72304-000 | | |
| 025LF | 0.0 | 0522LF | 72304-000 | | |
| 045LF | 0.0 | 0543LF | 72304-000 | | |
| 055LF | 0.0 | 0550LF | 72304-000 | | |
| 520LF | 2.2 | 5022LF | 92791-022S | | |
| 540LF | 4.3 | 5043LF | 92791-043S | | |
| 550LF | 5.0 | 5050LF | ⚠ 92791-052 | | |
| 525LF | 0.0 | 5522LF | 92791-001S | | |
| 545LF | 0.0 | 5543LF | 92791-001S | | |
| 555LF | 0.0 | 5550LF | 92791-001S | | |

NOTE:

- SEE 72306 FOR DOUBLE DECK ASSEMBLY
- IF LEAD FREE P/N.THE HOUSING WILL WITHSTAND EXPOSURE TO 260°C PEAK TEMPERATURE FOR 10 SECONDS IN A WAVE SOLDER APPLICATION WITH A 1.00MM MINIMUM THICK CIRCUIT BOARD.
- IF LEAD FREE P/N.THE PRODUCT MEETS EUROPEAN UNION DIRECTIVES AND OTHER COUNTRY REGULATIONS AS DISCRIBLED IN GS-22-008
- LEAD FREE P/N PACKAGING MEETS GS-14-920 SPECIFICATION

ORDERING INFORMATION

ORDER:

- EJECT HEADER ASSY (72305-XXXLF)
- MATING RECEPTACLE (73277-101000LF)

| | | | | |
|---------------------------------------|---------------------|-------------------------------|-------------------|---|
| mat'l. code | surface ISO 1302 | tolerance ISO 406 ISO 1181 | projection 1:1 | product family CARDBUS |
| ltr | ecn | no | dr | date |
| tolerances unless otherwise specified | | | | title |
| L | angles | linear | MM | CARDBUS SINGLE DECK ASS'Y SMT TYPE 123 |
| | ±2' | | scale 4 | dwg no |
| | dr | Mike Zhou | 05/10/06 | sheet 2 of 1 |
| | engr | Mike Zhou | 05/10/06 | size |
| | chr | Mike Zhou | 05/10/06 | A 4 |
| | appd | Qin David | 05/10/06 | type CUSTOMER Drawing |
| sheet index | revision sheet | | | |

FCI CONFIDENTIAL

FCI

This document is the property of and embodies CONFIDENTIAL and PROPRIETARY information of FCI. No part of this information shown on this document may be used in any way or disclosed to others without the written consent of FCI. Copyright FCI.

A

C

D

A

B

C

D

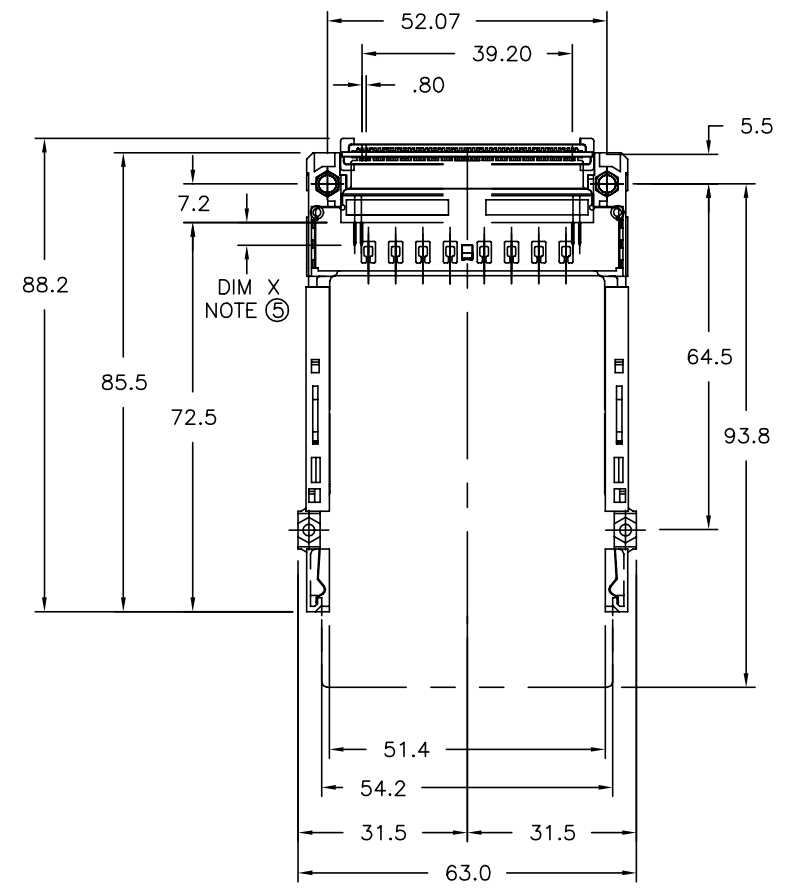
FCI CONFIDENTIAL

FCI
FCIconnect.com

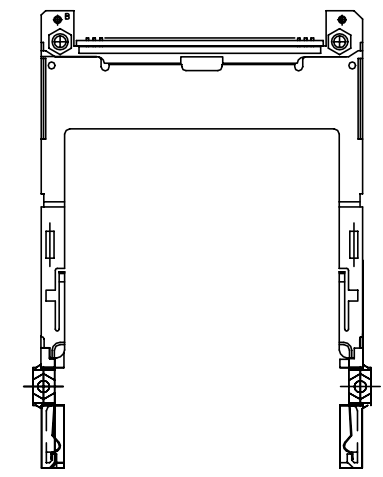
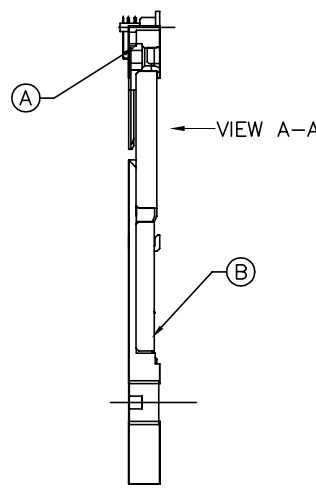
This document is the property of and embodies CONFIDENTIAL and PROPRIETARY information of FCI. No part of this information shown on this document may be used in any way or disclosed to others without the written consent of FCI.
Copyright FCI.

| |
|----------------|
| PRODUCT NUMBER |
| 72305-*** |
| 72305-***LF |

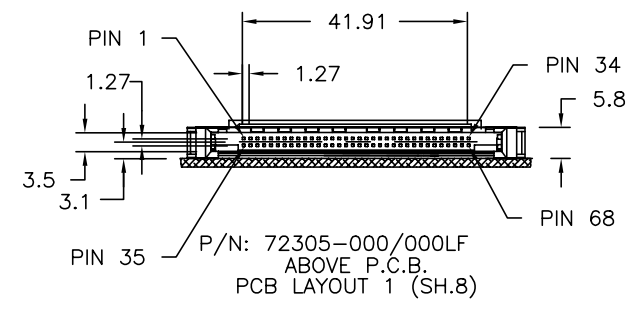
1 | 2 | 3 | 4 | 5 | 6



MATING RECEPTACLE SHOWN FOR APPLICATION CLARITY ONLY. MUST BE ORDERED SEPARATELY



VIEW A-A
(APPLIES TO ALL P/NS)



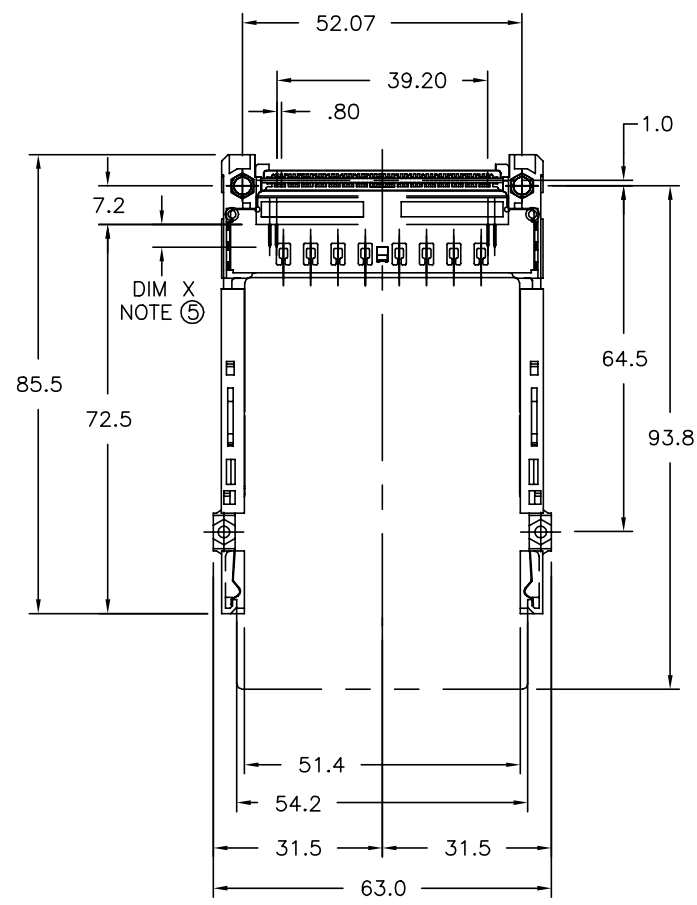
| | | | | | | |
|------------------|---------------------------------------|-----------------|------------|--|---------------|---------|
| mat'l. code | surface | tolerance | projection | product family | | |
| | ISO 1302 | ISO 406 ISO 101 | | CARDBUS | | |
| l/tecn nodr date | tolerances unless otherwise specified | | | title | | |
| L | angles | linear | MM | CARDBUS SINGLE DECK ASS'Y SMT TYPE 123 | | |
| | ±2' | | scale | | | |
| | dr | Mike Zhou | 05/10/06 | | | |
| | enr | Mike Zhou | 05/10/06 | | | |
| | chr | Mike Zhou | 05/10/06 | | | |
| | appd | Qin David | 05/10/06 | | | |
| sheet index | revision sheet | | | dwg no | sheet 3 of 11 | size |
| | | | | 72305 | | A 4 |
| | | | | type | CUSTOMER | Drawing |

FCI CONFIDENTIAL

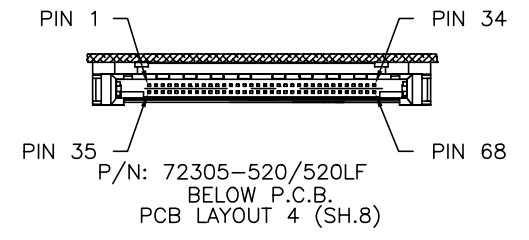
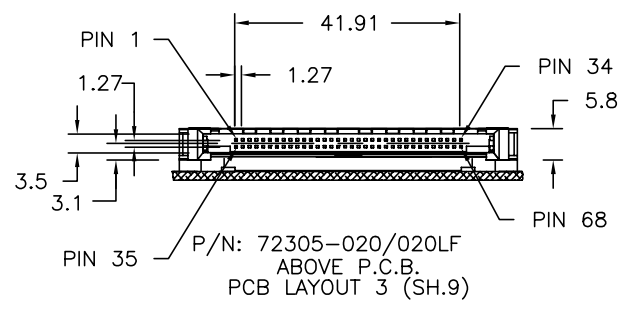
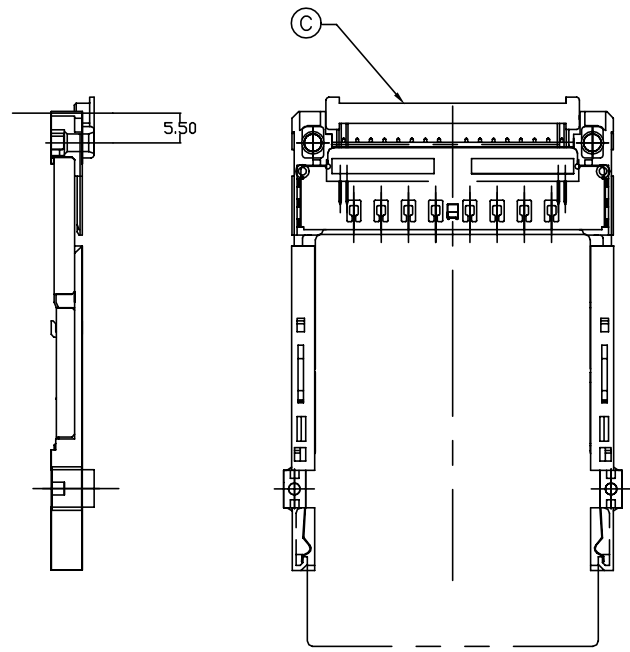
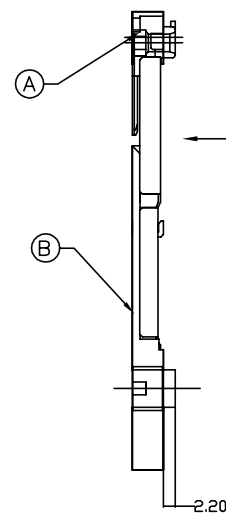
FCI
FCIconnect.com

This document is the property of and embodies CONFIDENTIAL and PROPRIETARY information of FCI. No part of the information shown on this document may be used in any way or disclosed to others without the written consent of FCI.
Copyright FCI.

| |
|----------------|
| PRODUCT NUMBER |
| 72305-*** |
| 72305-***LF |



MATING RECEPTACLE SHOWN FOR APPLICATION CLARITY ONLY. MUST BE ORDERED SEPARATELY



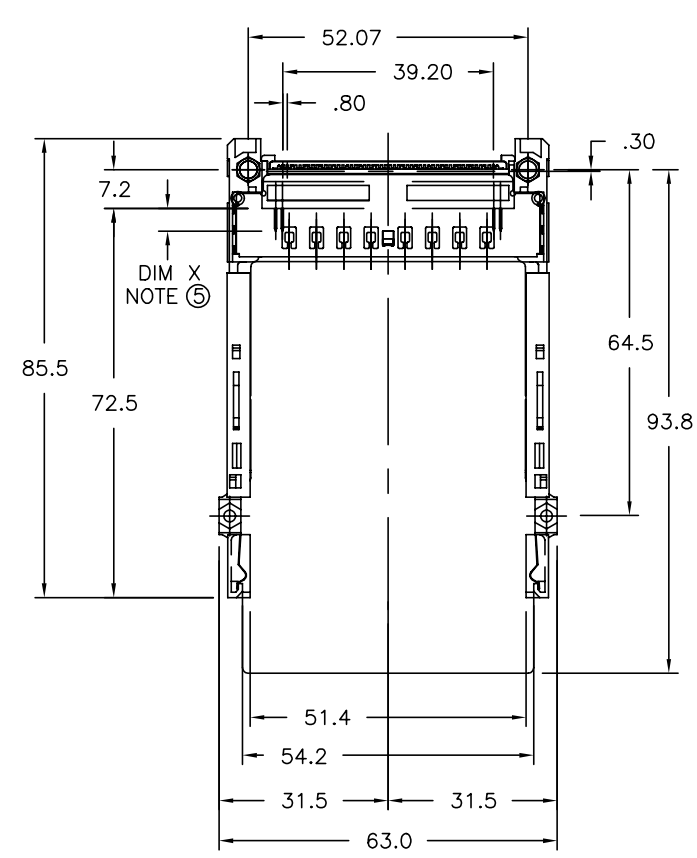
| | | | | | | | | |
|-------------|---------------------|-------------------------------|------------------|---------------------------|---------------------------------------|---|---------------|---------|
| mat'l. code | surface ISO 1302 | tolerance ISO 406 ISO 1101 | projection MM | product family CARDBUS | | | | |
| ltn | ecn | no | dr | date | tolerances unless otherwise specified | title CARDBUS SINGLE DECK ASS'Y SMT TYPE 123 | | |
| | | | | | angles | linear | | |
| | | | | | ±2' | scale | | |
| | | | dr | Mike Zhou | 05/10/06 | | | |
| | | | enr | Mike Zhou | 05/10/06 | | | |
| | | | chr | Mike Zhou | 05/10/06 | | | |
| | | | app | Qin David | 05/10/06 | | | |
| sheet | revision | | | | | dwg no | sheet 4 of 11 | size |
| index | sheet | | | | | 72305 | | A 4 |
| | | | | | | type | CUSTOMER | Drawing |

FCI CONFIDENTIAL

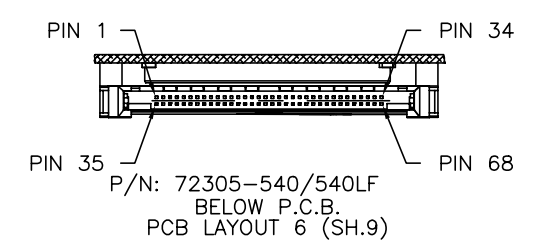
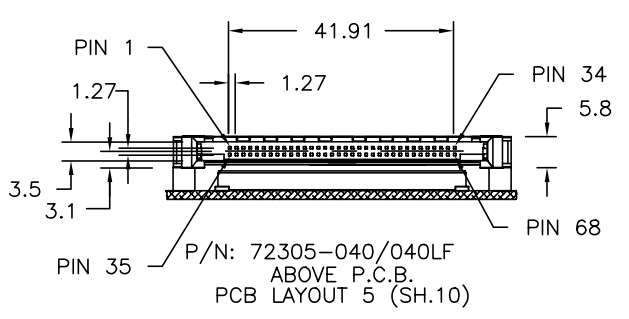
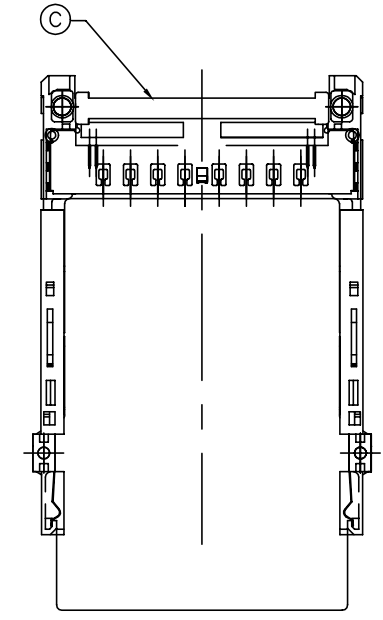
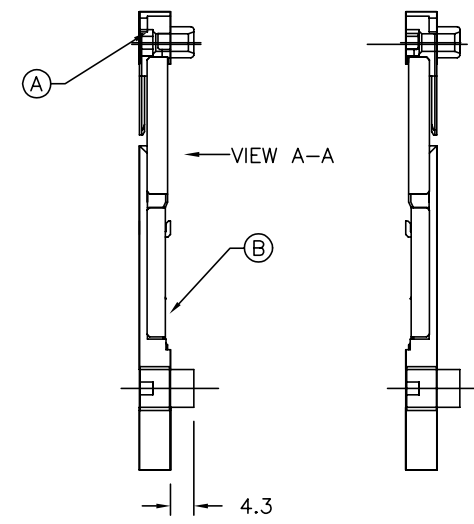
FCI
FCIconnect.com

This document is the property of and embodies CONFIDENTIAL and PROPRIETARY information of FCI. No part of this information shown on this document may be used in any way or disclosed to others without the written consent of FCI.
Copyright FCI.

| |
|----------------|
| PRODUCT NUMBER |
| 72305-*** |
| 72305-***LF |



MATING RECEPTACLE SHOWN FOR APPLICATION CLARITY ONLY. MUST BE ORDERED SEPARATELY



| | | | | |
|--------------------|---------------------------------------|------------------------------|------------------|--|
| mat'l. code | surface ISO 1302 | tolerance ISO 406 ISO 101 | projection MM | product family CARDBUS |
| ltr ecn no dr date | tolerances unless otherwise specified | | | title |
| L | angles ±2' | linear | MM | CARDBUS SINGLE DECK ASS'Y SMT TYPE 123 |
| | dr | Mike Zhou | 05/10/06 | scale |
| | enr | Mike Zhou | 05/10/06 | dwg no |
| | chr | Mike Zhou | 05/10/06 | 72305 |
| | app | Qin David | 05/10/06 | sheet 5 of 11 |
| | | | | size A 4 |
| | | | | type CUSTOMER Drawing |

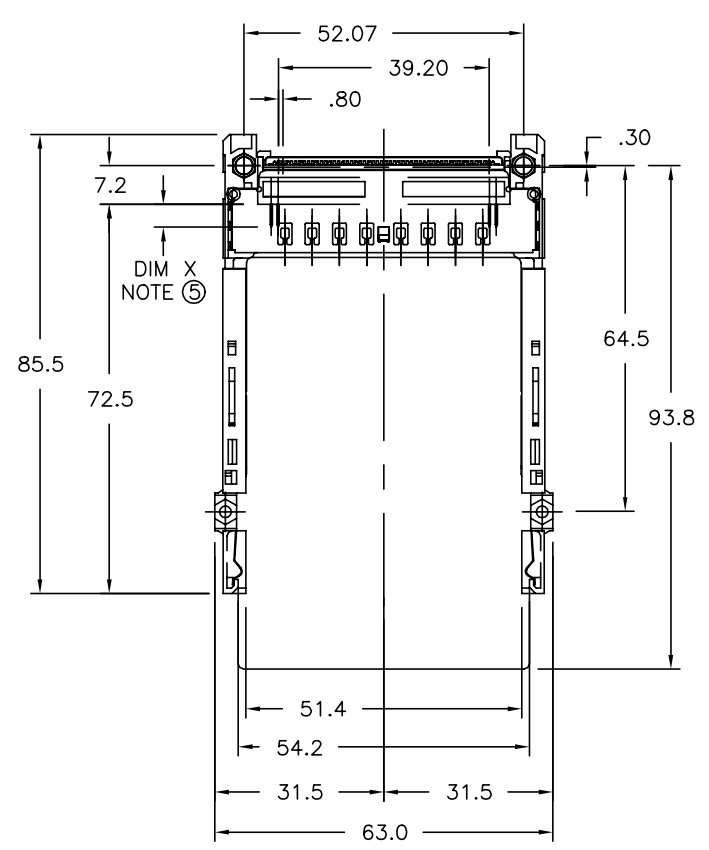
| | | | | | | | | | | | | | | | | | | | | |
|-------------|----------------|--|--|--|--|--|--|--|--|--|--|--|--|--|--|--|--|--|--|--|
| sheet index | revision sheet | | | | | | | | | | | | | | | | | | | |
|-------------|----------------|--|--|--|--|--|--|--|--|--|--|--|--|--|--|--|--|--|--|--|

FCI CONFIDENTIAL

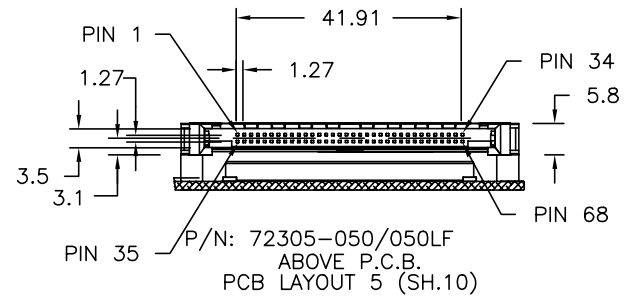
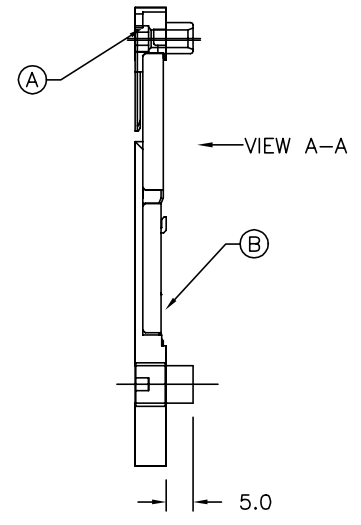
FCI
FCIconnect.com

This document is the property of and embodies CONFIDENTIAL and PROPRIETARY information of FCI. No part of this information shown on this document may be used in any way or disclosed to others without the written consent of FCI.
Copyright FCI.

| |
|----------------|
| PRODUCT NUMBER |
| 72305-*** |
| 72305-***LF |



MATING RECEPTACLE SHOWN FOR APPLICATION CLARITY ONLY. MUST BE ORDERED SEPARATELY



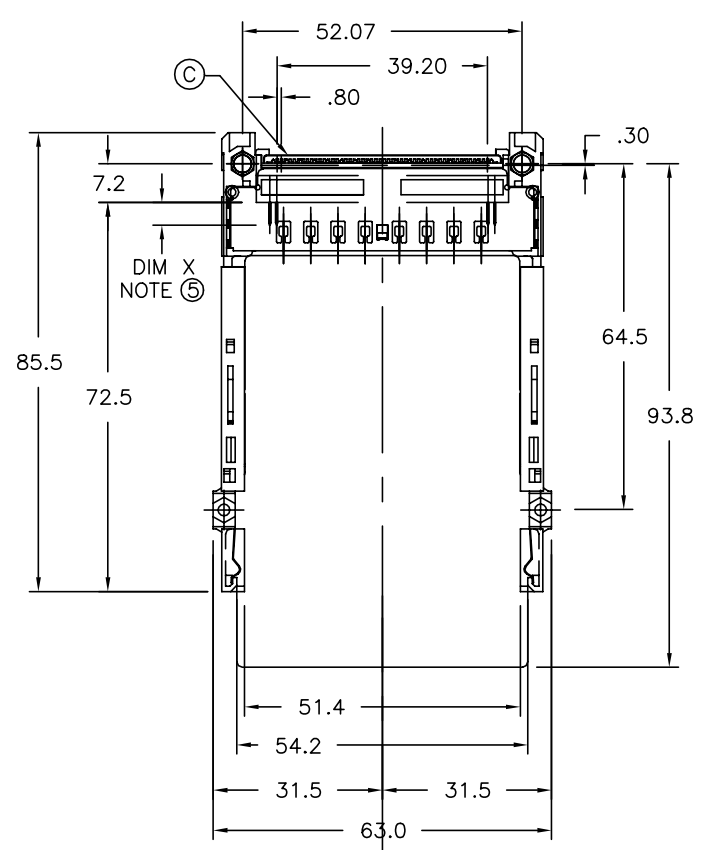
| | | | | |
|--------------------|---------------------------------------|------------------|------------|--|
| mat'l. code | surface | tolerance | projection | product family |
| | ISO 1302 | ISO 406 ISO 1101 | | CARDBUS |
| ltr ecn no dr date | tolerances unless otherwise specified | | | title |
| L | angles | linear | MM | CARDBUS SINGLE DECK ASS'Y SMT TYPE 123 |
| | ±2' | | scale 4 | |
| | dr | Mike Zhou | 05/10/06 | dwg no |
| | enr | Mike Zhou | 05/10/06 | sheet 6 of 11 |
| | chr | Mike Zhou | 05/10/06 | 72305 |
| | app | Qin David | 05/10/06 | A 4 |
| | | | | type CUSTOMER Drawing |
| sheet index | revision sheet | | | |

FCI CONFIDENTIAL

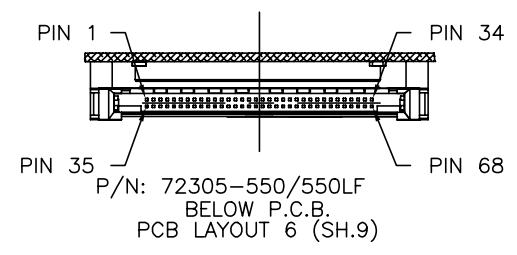
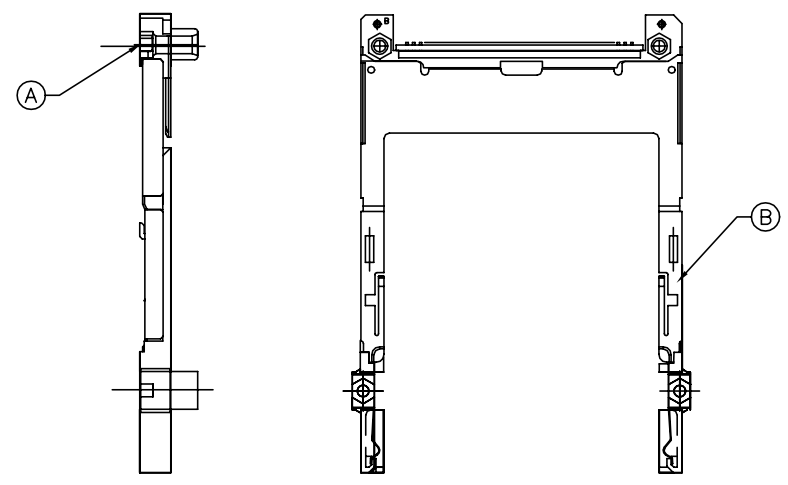
FCI
FCIconnect.com

This document is the property of and embodies CONFIDENTIAL and PROPRIETARY information of FCI. No part of this information shown on this document may be used in any way or disclosed to others without the written consent of FCI.
Copyright FCI.

| |
|----------------|
| PRODUCT NUMBER |
| 72305-*** |
| 72305-***LF |



MATING RECEPTACLE SHOWN FOR APPLICATION CLARITY ONLY. MUST BE ORDERED SEPARATELY.

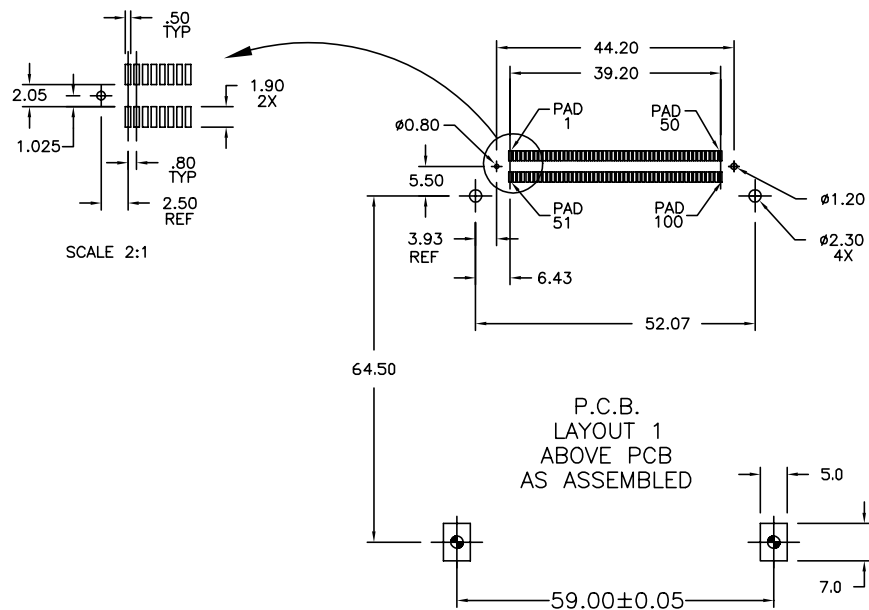


| | | | | | | | | | |
|--------------------|--|---------------------------------------|--|-----------------|--|------------|--|--|--|
| mat'l. code | | surface | | tolerance | | projection | | product family | |
| | | ISO 1302 | | ISO 406 ISO 101 | | | | CARDBUS | |
| ltr ecn no dr date | | tolerances unless otherwise specified | | | | | | | |
| L | | angles | | linear | | | | CARDBUS SINGLE DECK ASS'Y SMT TYPE 123 | |
| | | ±2° | | | | MM | | dwg no sheet 7 of 11 size | |
| | | dr | | Mike Zhou | | 05/10/06 | | 72305 A 4 | |
| | | engr | | Mike Zhou | | 05/10/06 | | type CUSTOMER Drawing | |
| | | chr | | Mike Zhou | | 05/10/06 | | | |
| | | appd | | Qin David | | 05/10/06 | | | |
| sheet index | | revision sheet | | | | | | | |



This document is the property of and embodies CONFIDENTIAL and PROPRIETARY information of FCI. No part of this information shown on this document may be used in any way or disclosed to others without the written consent of FCI.
Copyright FCI.

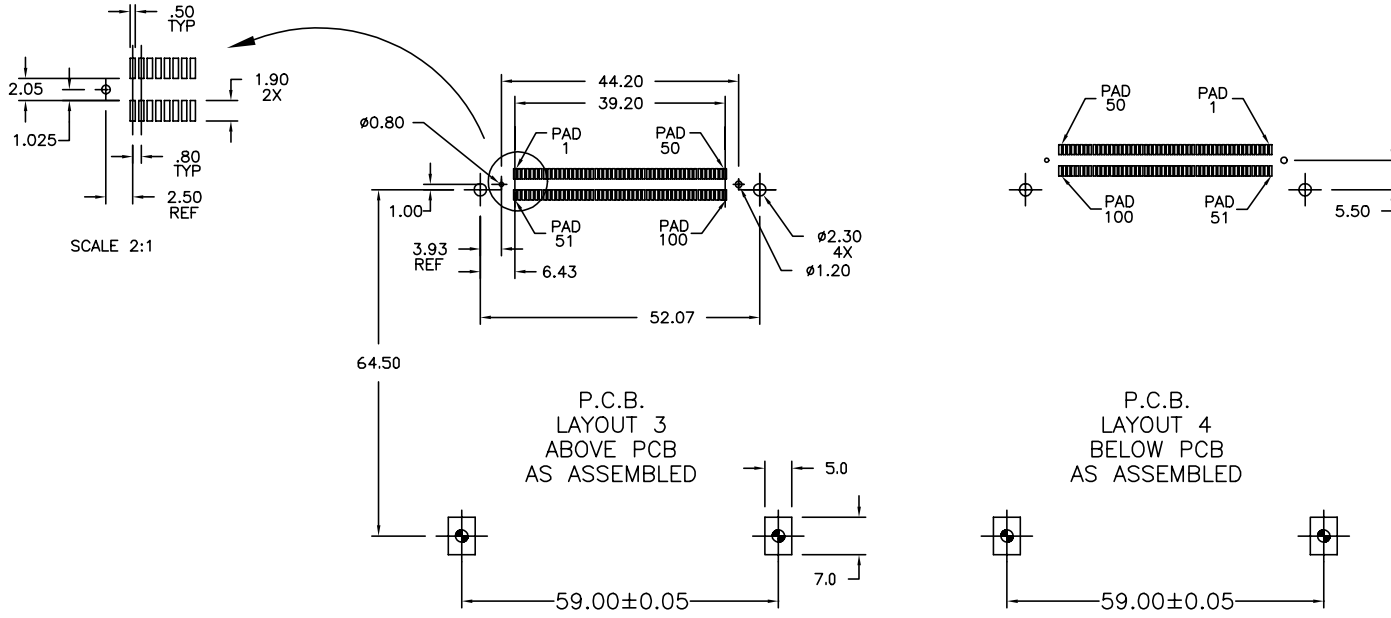
P.C.B. LAYOUT FOR 0mm STANDOFF



| | | | | | | | | | |
|-------------|--|----------|--|---------------------------------------|--|------------|--|---|--|
| mat'l. code | | surface | | tolerance | | projection | | product family | |
| | | ISO 1302 | | ISO 406 ISO 101 | | | | CARDBUS | |
| ltr | | ecn | | no | | dr | | date | |
| | | | | | | | | | |
| | | | | tolerances unless otherwise specified | | | | title | |
| L | | | | angles | | | | CARDBUS SINGLE DECK ASS'Y SMT TYPE 123 | |
| | | | | ±2' | | | | scale 4 | |
| | | dr | | Mike Zhou | | 05/10/06 | | dwg no | |
| | | enr | | Mike Zhou | | 05/10/06 | | sheet 8 of 11 | |
| | | chr | | Mike Zhou | | 05/10/06 | | size | |
| | | appa | | Qin David | | 05/10/06 | | A 4 | |
| | | | | | | | | type CUSTOMER | |
| | | | | | | | | Drawing | |
| sheet | | revision | | | | | | | |
| index | | sheet | | | | | | | |

FCI CONFIDENTIAL

P.C.B. LAYOUT FOR 2.2mm STANDOFF



P.C.B. LAYOUT 3 ABOVE PCB AS ASSEMBLED

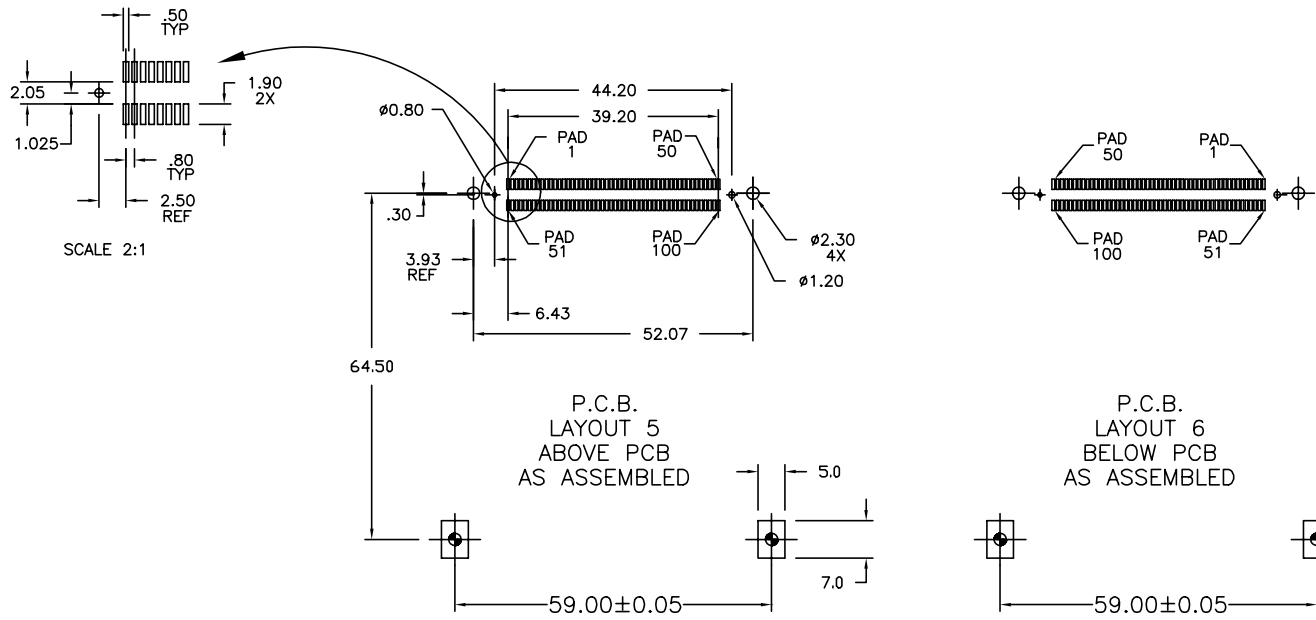
P.C.B. LAYOUT 4 BELOW PCB AS ASSEMBLED

| | | | | | | | | | |
|--------------------|--|---------------------------------------|--|------------------|--|------------|--|---|--|
| mat'l. code | | surface | | tolerance | | projection | | product family | |
| | | ISO 1302 | | ISO 406 ISO 1101 | | | | CARDBUS | |
| ltr ecn no dr date | | tolerances unless otherwise specified | | | | | | | |
| L | | angles | | linear | | | | CARDBUS SINGLE DECK ASS'Y SMT TYPE 123 | |
| | | ±2° | | | | MM | | scale 4 | |
| | | dr | | Mike Zhou | | 05/10/06 | | dwg no | |
| | | engr | | Mike Zhou | | 05/10/06 | | sheet 9 of 11 | |
| | | chr | | Mike Zhou | | 05/10/06 | | 72305 | |
| | | appd | | Qin David | | 05/10/06 | | A 4 | |
| | | | | | | | | type CUSTOMER Drawing | |
| sheet index | | revision sheet | | | | | | | |

This document is the property of and embodies CONFIDENTIAL and PROPRIETARY information of FCI. No part of this information shown on this document may be used in any way or disclosed to others without the written consent of FCI. Copyright FCI.

FCI
 fciconnect.com

P.C.B. LAYOUT FOR 4.3 AND 5.0mm STANDOFFS



This document is the property of and embodies CONFIDENTIAL and PROPRIETARY information of FCI. No part of this information shown on this document may be used in any way or disclosed to others without the written consent of FCI.
 Copyright FCI.

| | | | | | | | | | |
|-------------|--|----------|--|-----------------|--|------------|--|---------------------------------------|--|
| mat'l. code | | surface | | tolerance | | projection | | product family | |
| | | ISO 1302 | | ISO 406 ISO 101 | | | | CARDBUS | |
| ltr | | ecn | | nadr | | date | | tolerances unless otherwise specified | |
| L | | | | | | | | title | |
| | | | | angles | | linear | | | |
| | | | | ±2° | | | | scale 4 | |
| | | dr | | Mike Zhou | | 05/10/06 | | dwg no | |
| | | engr | | Mike Zhou | | 05/10/06 | | sheet: 1 of 1 | |
| | | chr | | Mike Zhou | | 05/10/06 | | 72305 | |
| | | appa | | Qin David | | 05/10/06 | | A 4 | |
| | | | | | | | | type CUSTOMER Drawing | |

| | | | | | | | | | | | | | | | | | | | | |
|-------|----------|--|--|--|--|--|--|--|--|--|--|--|--|--|--|--|--|--|--|--|
| sheet | revision | | | | | | | | | | | | | | | | | | | |
| index | sheet | | | | | | | | | | | | | | | | | | | |

| HEADER PINOUT | TYPE | BTB 100 POS RECEPTACLE | HEADER PINOUT | TYPE | BTB 100 POS RECEPTACLE | SHIELD PINOUT | TYPE | BTB 100 POS RECEPTACLE |
|---------------|------|------------------------|---------------|------|------------------------|---------------|------|------------------------|
| 1 | GND | 1 | 35 | GND | 51 | 1 | GND | 4 & 54 |
| 2 | SIG | 2 | 36 | DET | 52 | 2 | GND | 7 & 57 |
| 3 | SIG | 3 | 37 | SIG | 53 | 3 | GND | 10 & 60 |
| 4 | SIG | 5 | 38 | SIG | 55 | 4 | GND | 13 & 63 |
| 5 | SIG | 6 | 39 | SIG | 56 | 5 | GND | 16 & 66 |
| 6 | SIG | 8 | 40 | SIG | 58 | 6 | GND | 19 & 69 |
| 7 | SIG | 9 | 41 | SIG | 59 | 7 | GND | 22 & 72 |
| 8 | SIG | 11 | 42 | SIG | 61 | 8 | GND | 25 & 75 |
| 9 | SIG | 12 | 43 | SIG | 62 | 9 | GND | 26 & 76 |
| 10 | SIG | 14 | 44 | SIG | 64 | 10 | GND | 29 & 79 |
| 11 | SIG | 15 | 45 | SIG | 65 | 11 | GND | 32 & 82 |
| 12 | SIG | 17 | 46 | SIG | 67 | 12 | GND | 35 & 85 |
| 13 | SIG | 18 | 47 | SIG | 68 | 13 | GND | 38 & 88 |
| 14 | SIG | 20 | 48 | SIG | 70 | 14 | GND | 41 & 91 |
| 15 | SIG | 21 | 49 | SIG | 71 | 15 | GND | 44 & 94 |
| 16 | SIG | 23 | 50 | SIG | 73 | 16 | GND | 47 & 97 |
| 17 | PWR | 24 | 51 | PWR | 74 | | | |
| 18 | SIG | 27 | 52 | SIG | 77 | | | |
| 19 | SIG | 28 | 53 | SIG | 78 | | | |
| 20 | SIG | 30 | 54 | SIG | 80 | | | |
| 21 | SIG | 31 | 55 | SIG | 81 | | | |
| 22 | SIG | 33 | 56 | SIG | 83 | | | |
| 23 | SIG | 34 | 57 | SIG | 84 | | | |
| 24 | SIG | 36 | 58 | SIG | 86 | | | |
| 25 | SIG | 37 | 59 | SIG | 87 | | | |
| 26 | SIG | 39 | 60 | SIG | 89 | | | |
| 27 | SIG | 40 | 61 | SIG | 90 | | | |
| 28 | SIG | 42 | 62 | SIG | 92 | | | |
| 29 | SIG | 43 | 63 | SIG | 93 | | | |
| 30 | SIG | 45 | 64 | SIG | 95 | | | |
| 31 | SIG | 46 | 65 | SIG | 96 | | | |
| 32 | SIG | 48 | 66 | SIG | 98 | | | |
| 33 | SIG | 49 | 67 | DET | 99 | | | |
| 34 | GND | 50 | 68 | GND | 100 | | | |

NOTES:

- ORDER MATING RECEPTACLE SEPARATELY.
- RECOMMENDED SCREW TORQUE: 1.0 TO 1.5 MAX in-lbs. (1.2-1.7 cm-kgs).
RECOMMENDED HOLD-DOWN - 2mm SCREWS (95121) AND HEX NUTS (92869).
- MATERIAL:
 - HEADER ASSY:
PLASTIC HOUSING: HIGH TEMPERATURE THERMOPLASTIC UL94V-0 BLACK - ABOVE PCB
HIGH TEMPERATURE THERMOPLASTIC UL94V-0 BLACK - BELOW PCB
PIN: PHOSPHOR BRONZE
PCB: FR4
 - MECHANISM ASSY:
PLASTIC GUIDE: HIGH TEMPERATURE THERMOPLASTIC UL94V-0 BLACK
COVER PLATE: STAINLESS STEEL
EMI CONTACT: PHOSPHOR BRONZE
 - .8 BTB RECEPTACLE (73277-101000):
PLASTIC: HIGH TEMPERATURE THERMOPLASTIC UL94V-0 BLACK
CONTACT: BeCu
- FINISH (PIN)
UNDER PLATING: 0.5um Ni
CONTACT AREA: 0.076 μm MIN. GOLD

SOLDER TAIL: 2.5um Sn-Pb FOR TIN LEAD OPTION
2.5um PURE TIN FOR LEAD FREE OPTION

⑤ DIM "X"

| | | |
|----------|---------|------------------|
| 4.25±0.1 | 3.5±0.1 | 5.0±0.1 |
| OTHERS | 36,67 | 1,17,34,35,51,68 |

| | | | | | |
|---------------------------------------|----------|-----------|-----------------|------------|-----------------------|
| mat'l. code | | surface | tolerance | projection | product family |
| | | ISO 1302 | ISO 406 ISO 101 | | CARDBUS |
| l | tr | ec | n | o | d |
| | | | | | |
| tolerances unless otherwise specified | | | | | title |
| | | angles | linear | MM | CARDBUS SINGLE DECK |
| | | ±2° | | scale 4 | ASS'Y SMT TYPE 123 |
| | dr | Mike Zhou | 05/10/06 | | dwg no |
| | enr | Mike Zhou | 05/10/06 | | sheet 1 of 11 |
| | chr | Mike Zhou | 05/10/06 | | size |
| | app | Qin David | 05/10/06 | | A 4 |
| | | | | | type CUSTOMER Drawing |
| sheet | revision | | | | |
| index | sheet | | | | |

FCI CONFIDENTIAL

FCI connect.com

This document is the property of and embodies CONFIDENTIAL and PROPRIETARY information of FCI. No part of this information shown on this document may be used in any way or disclosed to others without the written consent of FCI. Copyright FCI.