

# F3099 RFI Filters



General Purpose Filtered Modules

## Features:

- Designed to Meet UL544 and IEC601 Specifications for Medical and Dental Equipment, both patient care and onpatient categories.
- Leakage current in this series is extremely low to satisfy the stringest leakage current limit imposed by safety regulations for medical and dental equipment.

## Specifications:

**Maximum Voltage:** 250VAC Maximum - 50/60 Hz  
**Rated Current:** 250VAC  
 6A

**Current Overload:** 6X for 8 seconds

### Hi-Pot Test (1 min):

Line to Ground 1500VAC  
 Line to Line 1450VDC

**Insulation Resistance:**  $9 \times 10^9 \Omega$  at 100VDC

**Ambient Temperature:** 40°C Max at rated current

**Humidity Range:** 0% to 95% R.H.

### Termination:

A: Quick Connect  
 B: Wire

### Maximum Leakage Current:

Each Line to Ground **F3000 Series**  
 115VAC, 60Hz: 2  $\mu$ A  
 250VAC, 50Hz: 5  $\mu$ A

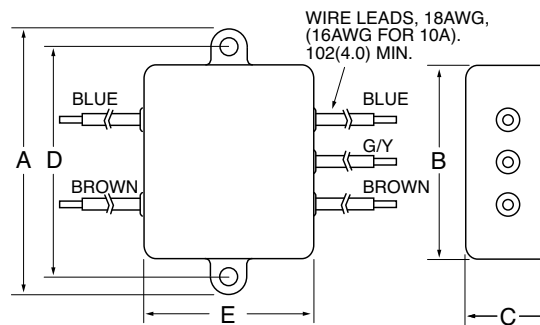
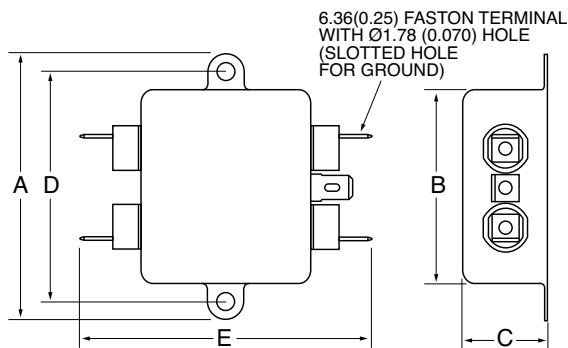
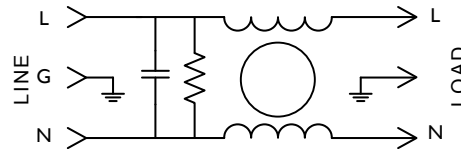
### Agency Approvals:



## F3099AA (6Amp) Dimensions

Amps	A	B	C	D	E
6A	2.53 (64,30)	1.82 (46,2)	0.78 (19,8)	2.126 (54,0)	2.53 (64,30)
	2.53 (64,30)	1.82 (46,2)	0.78 (19,8)	2.126 (54,0)	1.32 (33,5)

## F3099 Series Simplified Schematic



Nominal Current Rating	Part Number	Termination Line/Load	MINIMUM INSERTION LOSS - dB (50 ohm Circuit)									
			MODE	Frequency - MHz								
				0.05	0.10	.15	.50	1.0	5.0	10	30	
6A	F3099AA06 F3099BB06	QC/QC $\varnothing$	Common	3	7	11	20	22	24	22	18	
			Differential	3	6	14	20	30	35	35	35	

NOTE: Other combinations of terminals may be specified on special order.

MEDICAL FILTERS

