

PRODUCT DESCRIPTION CODE :

10142634-1XXK LF

RoHS COMPATIBLE, SEE NOTE 3

FOR CUSTOMER CODE :
BLANK = GENERAL USE

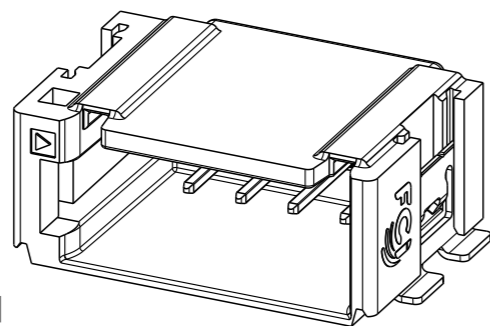
PACKAGING :
K = TAPE & REEL

NUMBER OF POSITIONS : 02 TO 16

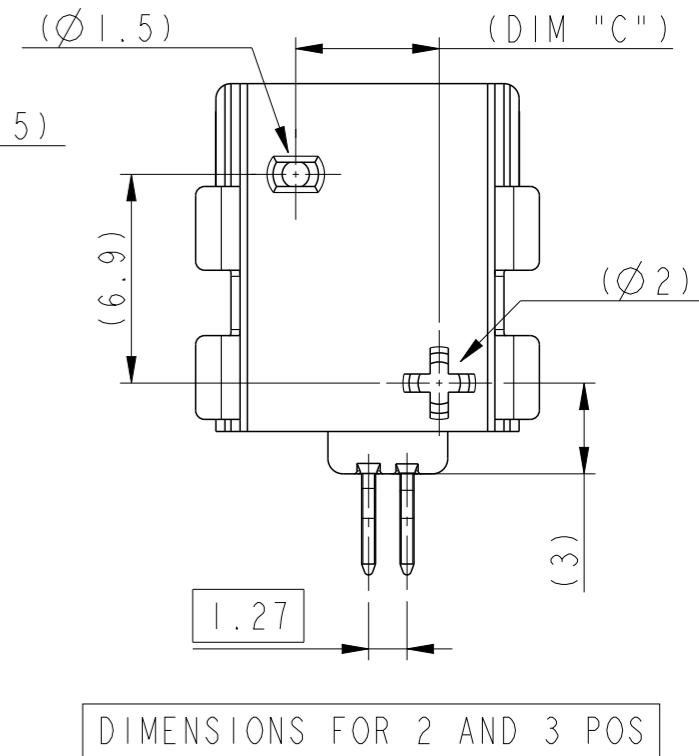
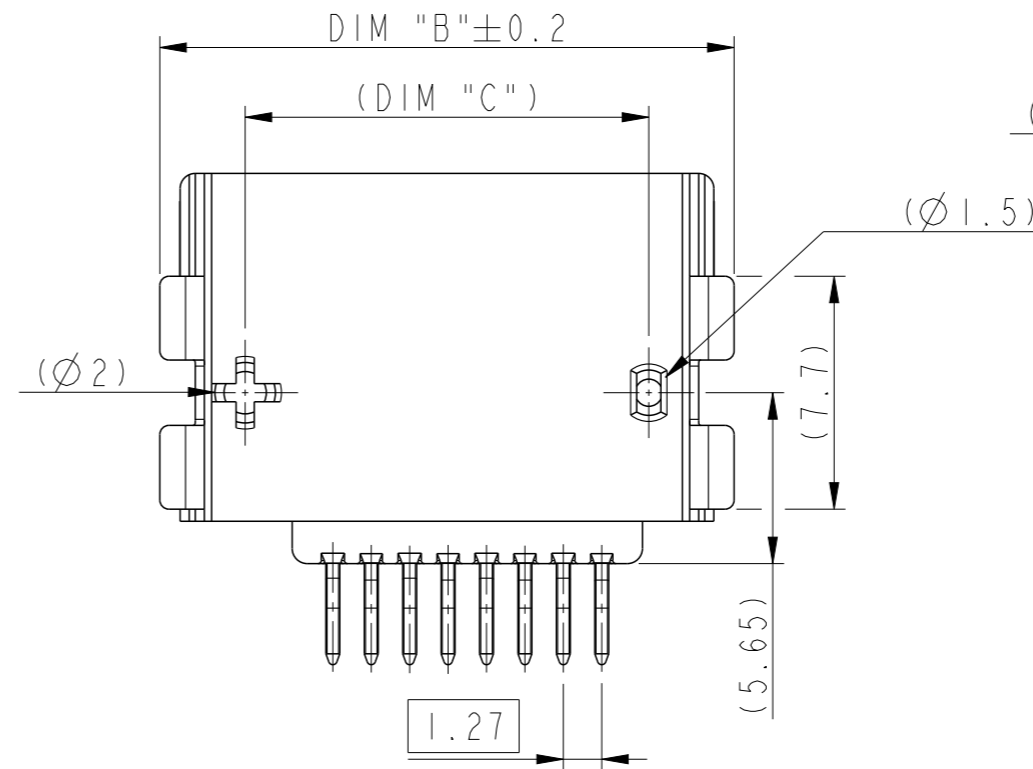
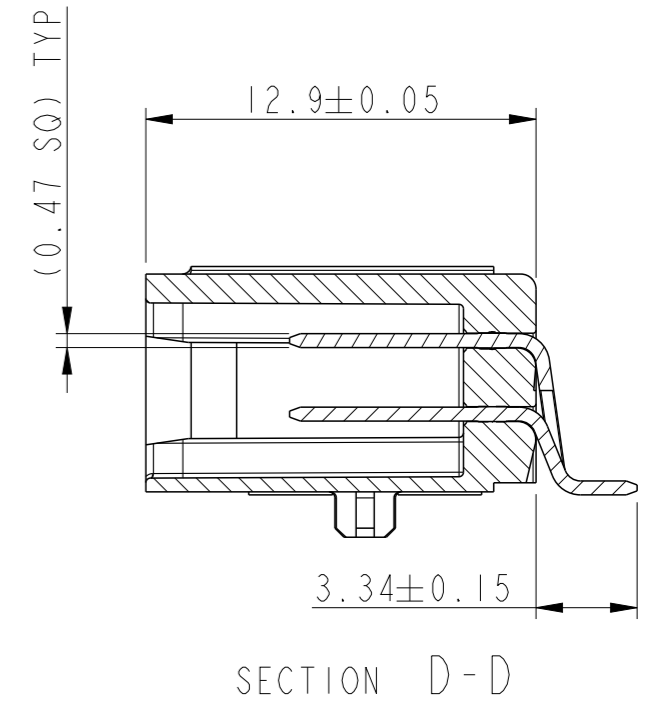
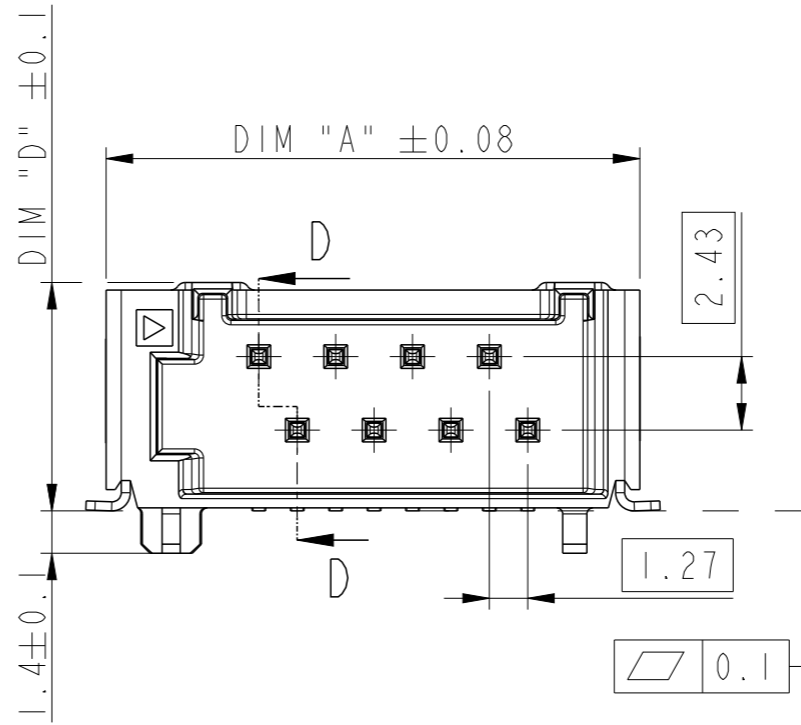
PLATING :
1 = 3µm MIN MATTE TIN (PREPLATED)
2 = 3µm MIN MATTE TIN (POST-PLATED)
3 = 0.76µm MIN GOLD (CONTACT AREA)
ALL OVER 1.27µm MIN NICKEL UNDERLAYER

NOTES:

- 1 - MATERIAL:
HOUSING : HIGH TEMPERATURE THERMOPLASTIC
COLOR BLACK UL94 V-0
PIN : HIGH CURRENT COPPER ALLOY
- 2 - TO BE MATED WITH MINITEK µSPACE RECEPTACLE SERIES 10142632
- 3 - RoHS COMPATIBLE PRODUCT SPECIFICATIONS
 - a - PLATING:
"LF" MEANS THE PRODUCT IS LEAD FREE,
3µm MINIMUM MATTE TIN OVER 1.27µm MINIMUM NICKEL UNDERPLATE.
 - b - MANUFACTURING PROCESS COMPATIBILITY:
THE HOUSING WILL WITHSTAND EXPOSURE TO 260°C PEAK TEMPERATURE FOR 30 SECONDS MAX IN A CONVECTION, INFRA-RED OR VAPOR PHASE OR REFLOW OVEN.
 - c - LABELLING :
MEETS PACKAGING SPECS AS PER GS-14-920
 - d - LEGAL STATEMENT :
SEE GS-47-0004.



SCALE 3:1



DIMENSIONS FOR 2 AND 3 POS

spec ref	GS-12-1422	dr	Ramu P	2018/07/10	projection	mm	size	A3	scale	4:1	
tolerance std	ISO 406 ISO 1101	eng	Cyril Jeune	2019/04/03			ecn no	ELX-F-32875-1			
TOLERANCES UNLESS OTHERWISE SPECIFIED		chr	Hyppias, Arnau	2019/04/03			rel level	Released			
surface	linear	appr	Jean Barres	2019/04/04	product family			dwg no	10142634	rev	C
	angular				Amphenol FCI		HEADER ASSEMBLY MINITEK µSPACE STAGGERED SIDE LATCH		cat. no. - Product - Customer Drw sheet 1 of 3		

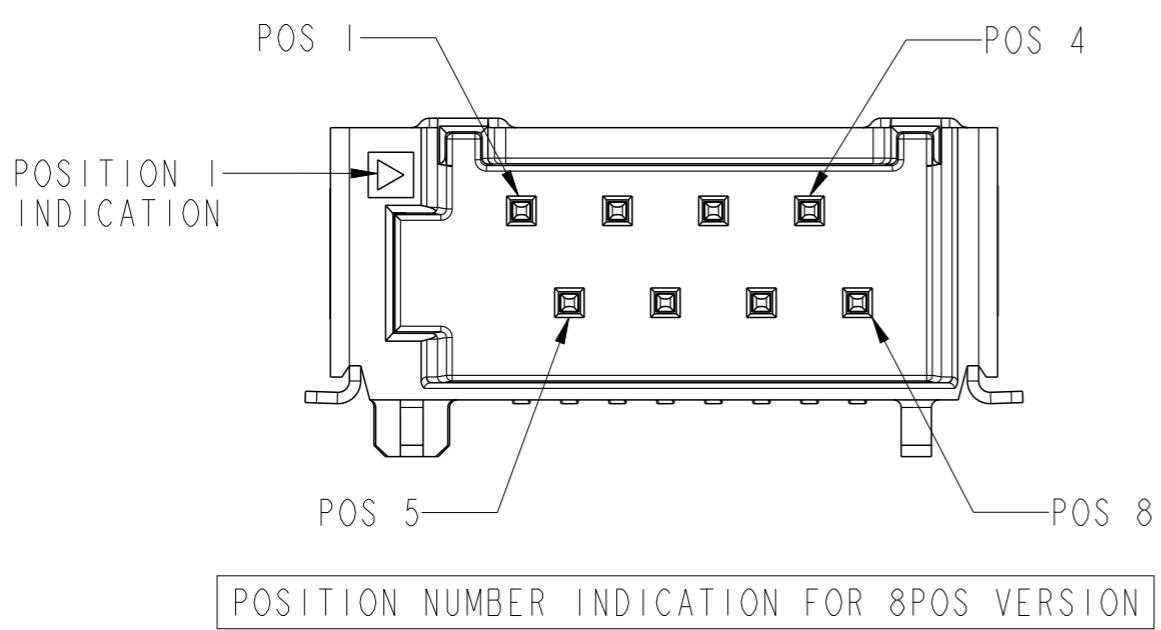
1

2

3

4

PART NO.	NO. OF POSN	DIM "A"	DIM "B"	DIM "C"	DIM "D"
10142634-102KLF	02	10.02	11.36	4.74	7.30
10142634-103KLF	03	11.29	12.63	6.01	7.55
10142634-104KLF	04	12.56	13.90	8.26	7.55
10142634-105KLF	05	13.83	15.17	9.53	7.55
10142634-106KLF	06	15.10	16.44	10.80	7.55
10142634-107KLF	07	16.37	17.71	12.07	7.55
10142634-108KLF	08	17.64	18.98	13.34	7.55
10142634-109KLF	09	18.91	20.25	14.61	7.55
10142634-110KLF	10	20.18	21.52	15.88	7.55
10142634-111KLF	11	21.45	22.79	17.15	7.55
10142634-112KLF	12	22.72	24.06	18.42	7.55
10142634-113KLF	13	23.99	25.33	19.69	7.55
10142634-114KLF	14	25.26	26.60	20.96	7.55
10142634-115KLF	15	26.53	27.87	22.23	7.55
10142634-116KLF	16	27.80	29.14	23.50	7.55



Amphenol FCI

© 2016 AFCI

spec ref	GS-12-1422	dr	Ramu P	2018/07/10	projection	mm	size	A3	scale	5:1
tolerance std	ISO 406 ISO 1101	eng	Cyril Jeune	2019/04/03			ecn no		ELX-F-32875-1	
TOLERANCES UNLESS OTHERWISE SPECIFIED		chr	Hyppias, Arnau	2019/04/03			rel level		Released	
surface	ISO 1302	appr	Jean Barres	2019/04/04	product family		-		-	
	linear	Amphenol FCI		HEADER ASSEMBLY			dwg no		10142634	
	angular			MINITEK μSPACE STAGGERED SIDE LATCH					rev	
	0.X ±0.3			cat. no.			-		Product - Customer Drw	
	0.XX ±0.10			-			STATUS:Released		Printed: Apr 04, 2019	
	0.XXX ±0.005			-			-		sheet 2 of 3	
	0° ±2°			-			-		-	

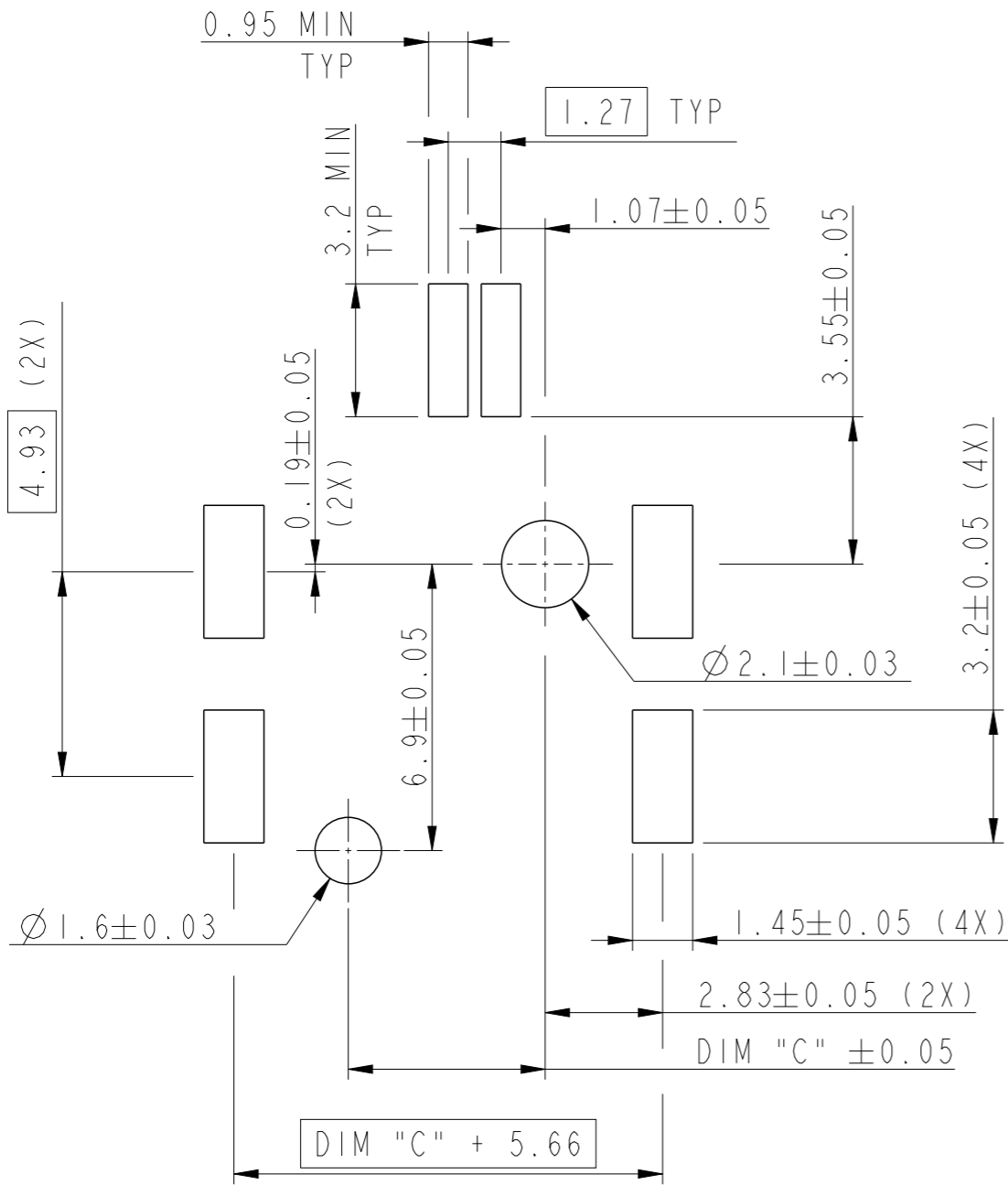
2

3

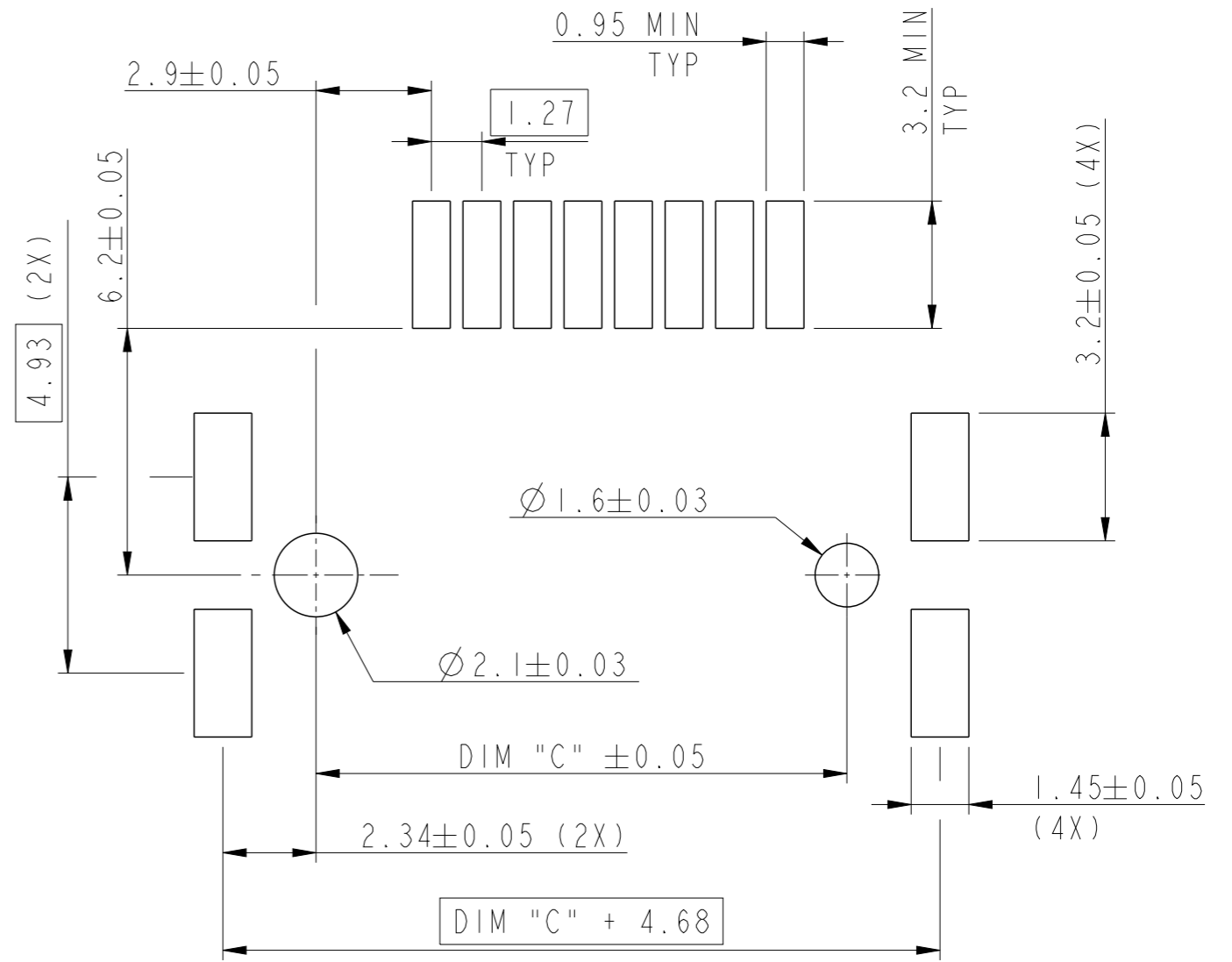
PDS: Rev :C

STATUS:Released

Printed: Apr 04, 2019



RECOMMENDED PCB LAYOUT FOR 2 AND 3 POS



RECOMMENDED PCB LAYOUT FROM 4 TO 16 POS

spec ref	GS-12-1422			dr	Ramu P	2018/07/10	projection	mm	size	A3	scale	6:1
tolerance std	TOLERANCES UNLESS OTHERWISE SPECIFIED			eng	Cyril Jeune	2019/04/03			ecn no ELX-F-32875-1			
ISO 406 ISO 1101				chr	Hyppias, Arnau	2019/04/03			rel level Released			
surface	<input checked="" type="checkbox"/> linear <input type="checkbox"/> angular	0.X	±0.3	Amphenol FCi	title HEADER ASSEMBLY MINITEK μSPACE STAGGERED SIDE LATCH			product family -	dwg no 10142634	rev C		
ISO 1302		0.XX	±0.10		cat. no.	-	Product - Customer Drw			sheet 3 of 3		
	0.XXX	±0.005										