

NEW


Board to Board Connector Compatible to PCI Express

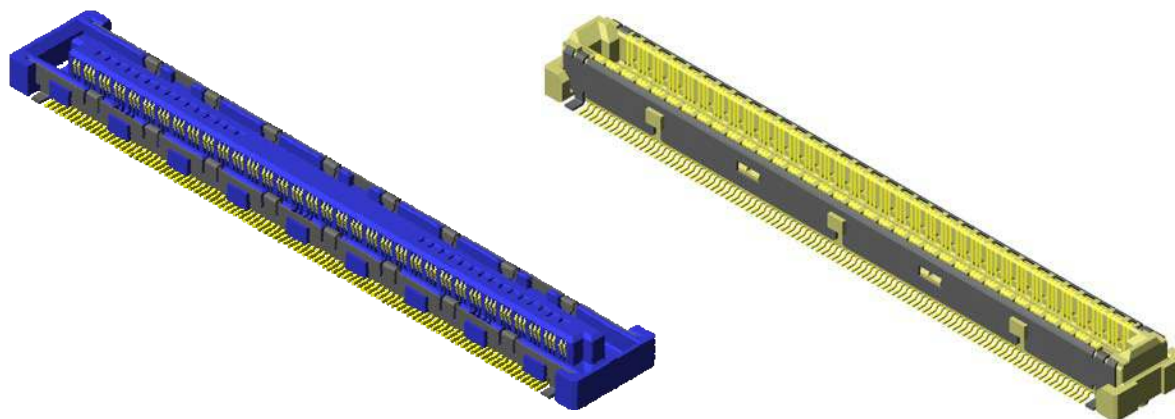
CONNECTOR

MB-0138-2

July 2006

WB3 Series

RoHS Compliant



WB3 Series are board to board connectors satisfying the specification of the transmission characteristics of PCI Express standard.

Suitable for connections between units that need TMD5 transmission, such as graphic card and PCI Express.

Features

- Compliant with PCI Express Card Electrical Mechanical SPEC
- High density 0.5mm pitch type yet having a high level transmission characteristic and high speed transmission is possible.
- Contact configuration that enables transmission of PCI Express(X16), TMD5, VGA and others.
- Parallel board to board connection is possible. Stacking height, 4mm and 5mm are available.
- EMI shielding is applied.
- Compatible to automatic mounting. Available in embossed tape package.

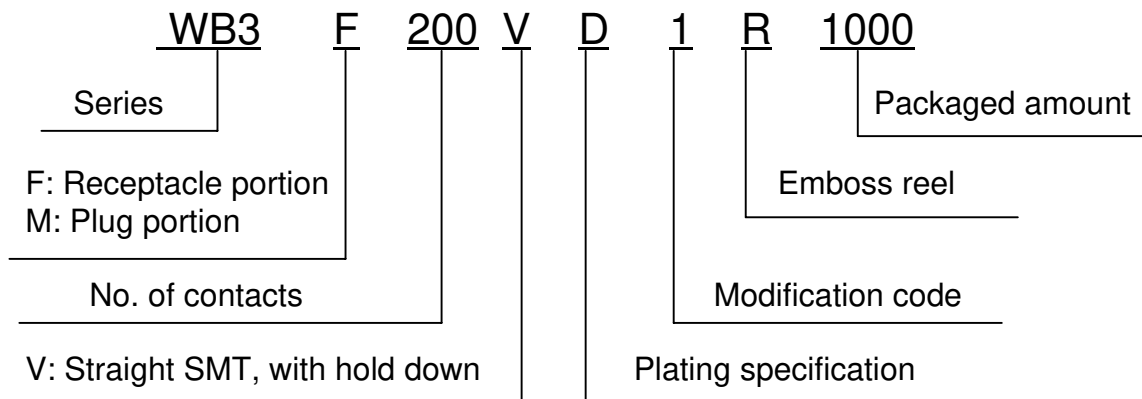
General Specifications

- No. of contacts: 200 pos.
- Contact resistance: 50m ohm max.
- Dielectric withstanding voltage: AC250V per minute
- Operating temperature: -40 Deg. C to +85 Deg. C
- Rated current: 0.5A/ per pin
- Mating cycle: 25 cycle
- Insertion loss: -1dB min. (1.25GHz max.)/-5dB min. (3.75GHz max.)
- Return loss: -12dB max. (1.3Ghz max.)/ -7dB max. (2Ghz max.)/ -4dB (3.75GHz max.)
- Crosstalk(near end): -32dB max. (1.25Ghz max.)/ -26dB max. (3.75GHz max.)

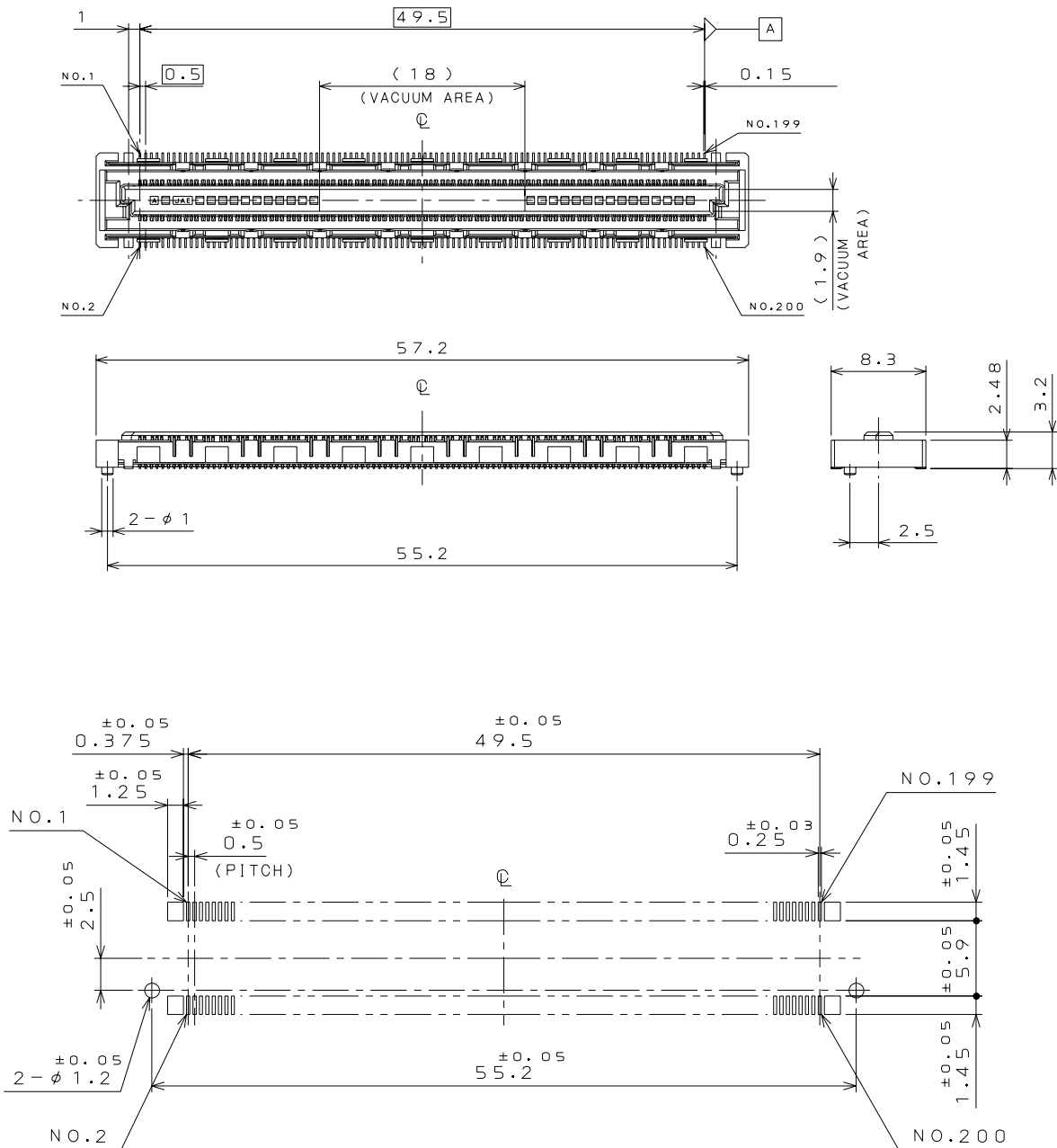
Materials and Finishes

Components	Materials /Finishes
Receptacle	
Contact	Copper Alloy/ Contact: 0.76um min. Au plating over Ni Terminal: Au flash plating over Ni
Insulator	Thermoplastic resin UL94V-0 black
Shell	Copper alloy: Tin plating
Plug	
Contact	Copper Alloy/ Contact: 0.76um min. Au plating over Ni Terminal: Au flash plating over Ni
Insulator	Thermoplastic resin UL94V-0 black
Shell	Stainless steel: Tin plating

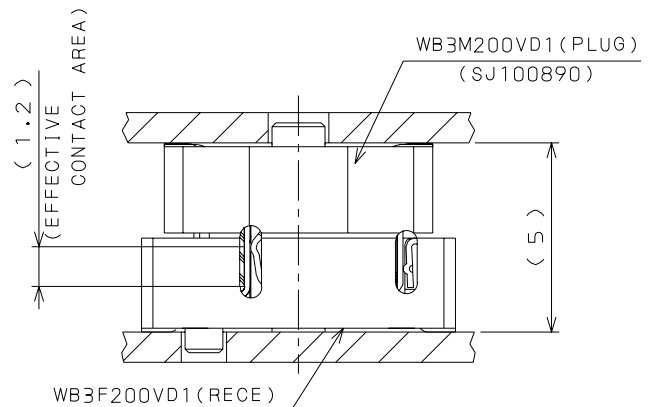
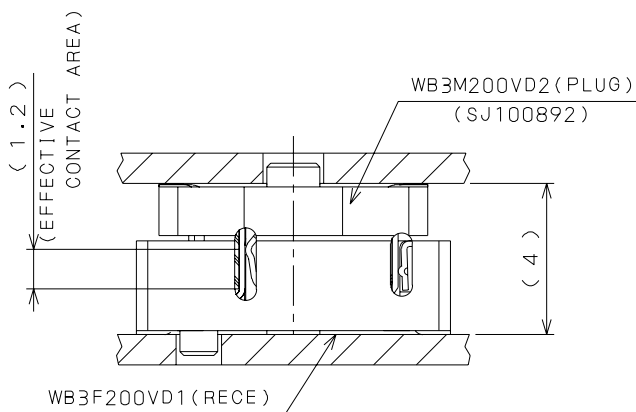
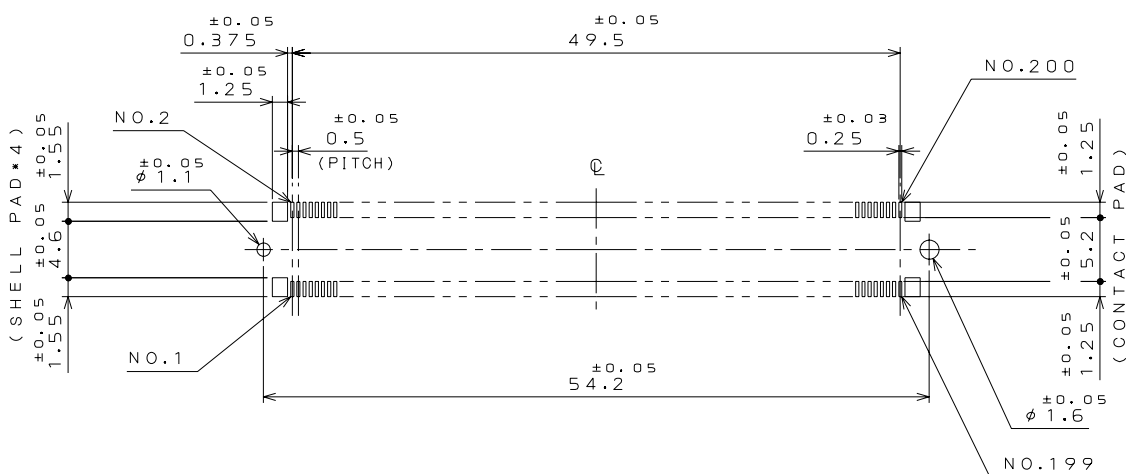
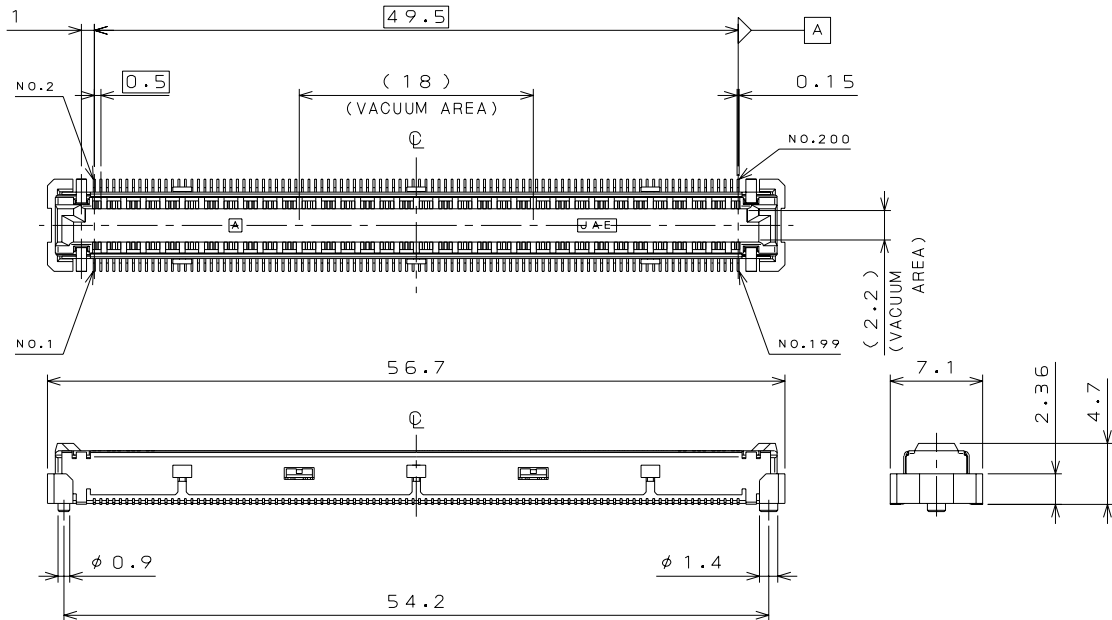
Ordering Information



Receptacle side: WB3F200VD1 (SJ100888)
 Embossed reel product: WB3F200VD1R1000 (SJ100889)

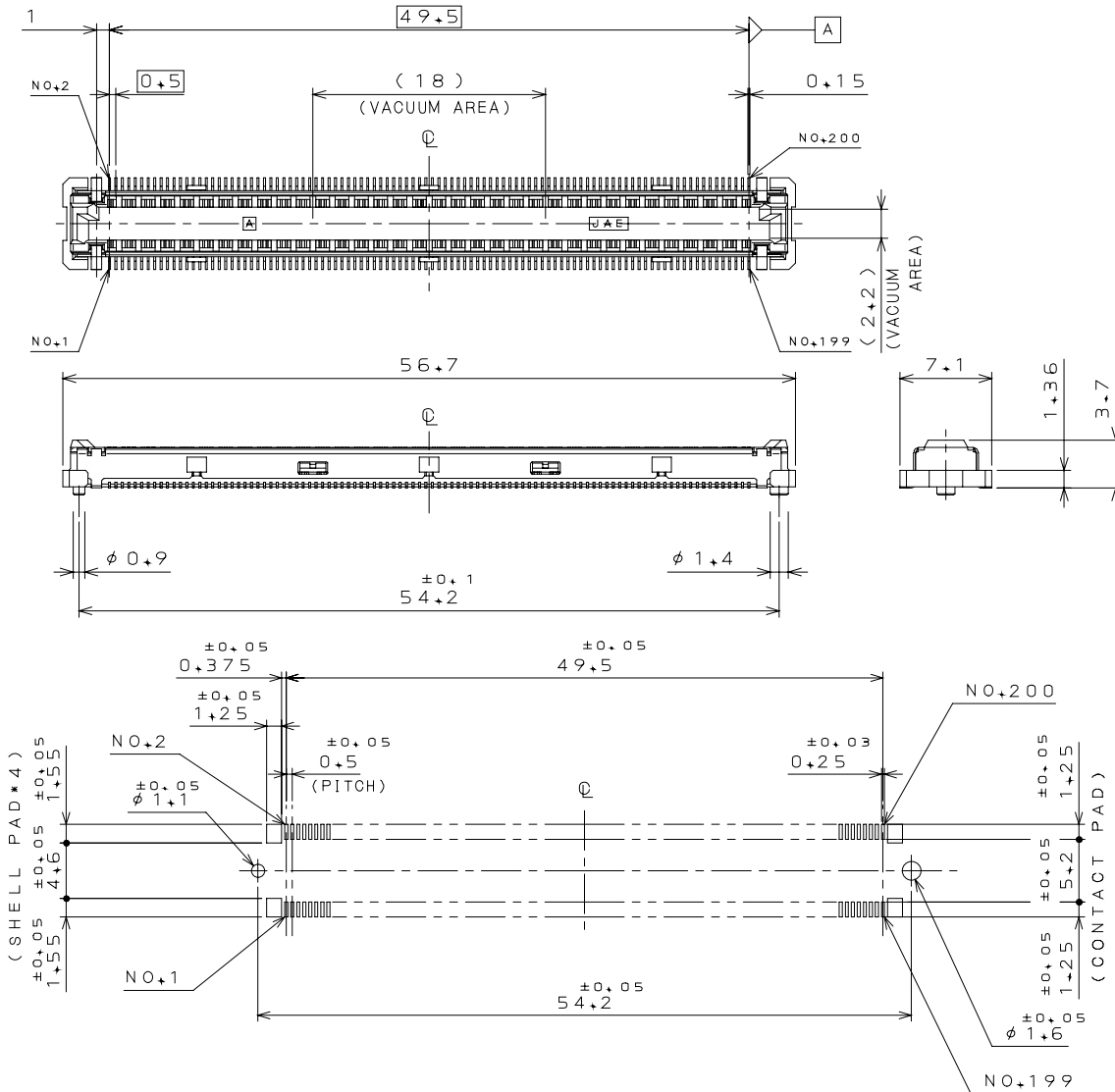


Plug side: WB3M200VD1 (SJ100890)
 Embossed reel product: WB3M200VD1R800 (SJ100891)



Unit: mm

Plug side: WB3M200VD2 (SJ100892)
 Embossed reel product: WB3M200VD2R1000 (SJ100893)



Japan Aviation Electronics Industry, Limited

Product Marketing Division
 Aobadai Building, 3-1-19, Aobadai, Meguro-ku, Tokyo 153-8539
 Phone: +81-3-3780-2787 FAX: +81-3-3780-2946

Notice: Products shown in this leaflet are made for the applications listed below. However, if the above-mentioned products are to be used in aerospace devices, marine cable-connection devices, atomic power control systems, medical equipment for life-support systems, or any other specific application requiring extremely high reliability, please contact JAE for further information.
 Recommended applications: computers, office machines, measuring devices, telecommunication devices (terminals, mobile devices), AV devices, household applications, FA devices, etc.

* The specifications in this brochure are subject to change without notice. Please contact JAE for information.
 JAE PMK Div. Proprietary. Copyright © 2006, Japan Aviation Electronics Industry, Ltd.