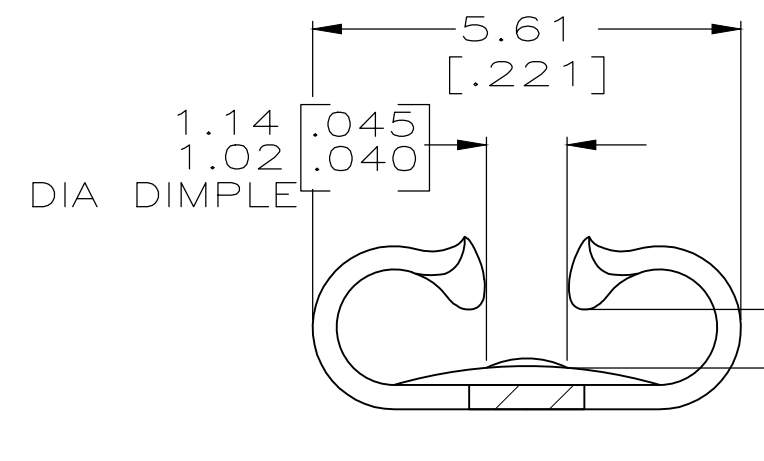
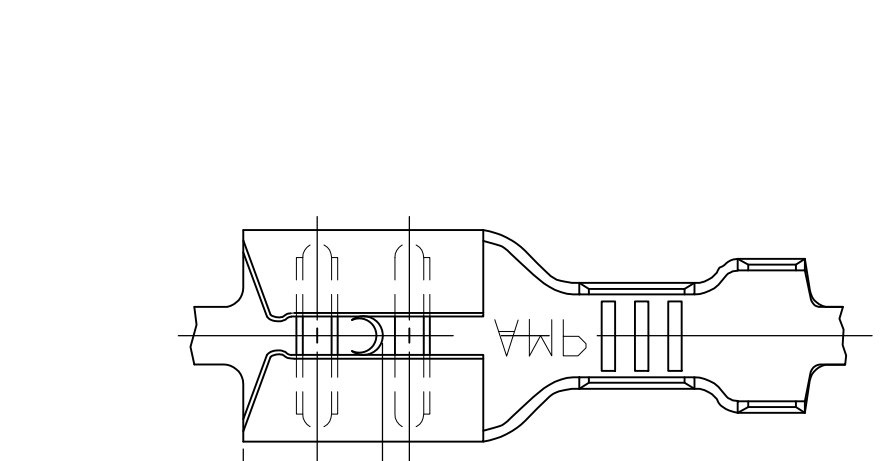


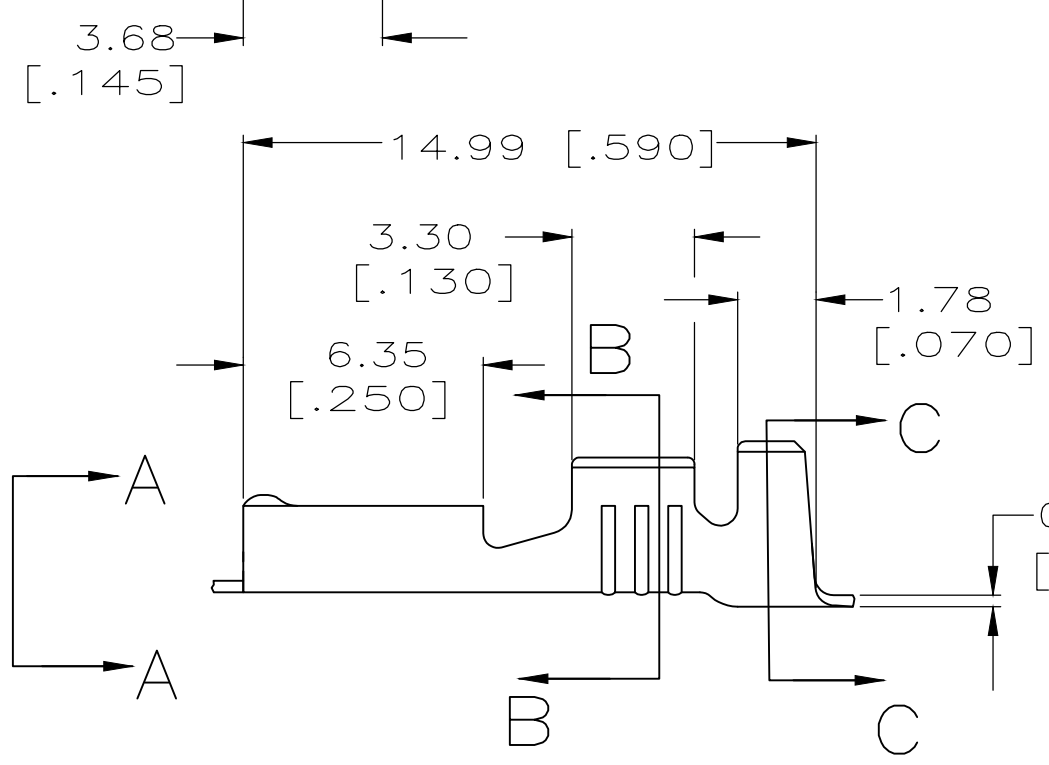
THIS DRAWING IS UNPUBLISHED. RELEASED FOR PUBLICATION
 © COPYRIGHT - By - ALL RIGHTS RESERVED.

LOC	DIST	REVISIONS			
P	LTR	DESCRIPTION	DATE	DWN	APVD
AF	50	D1	REVISED PER ECR-20-009164	3AUG2020	MK DH

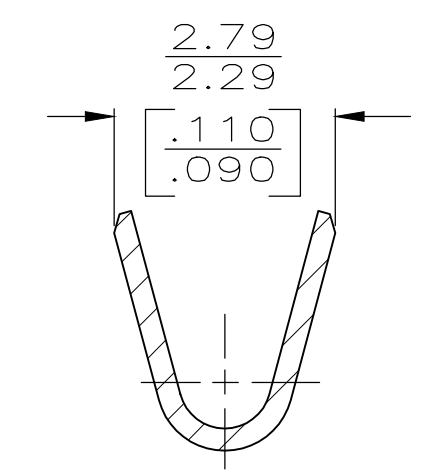
1 CONTINUOUS STRIP ON REELS



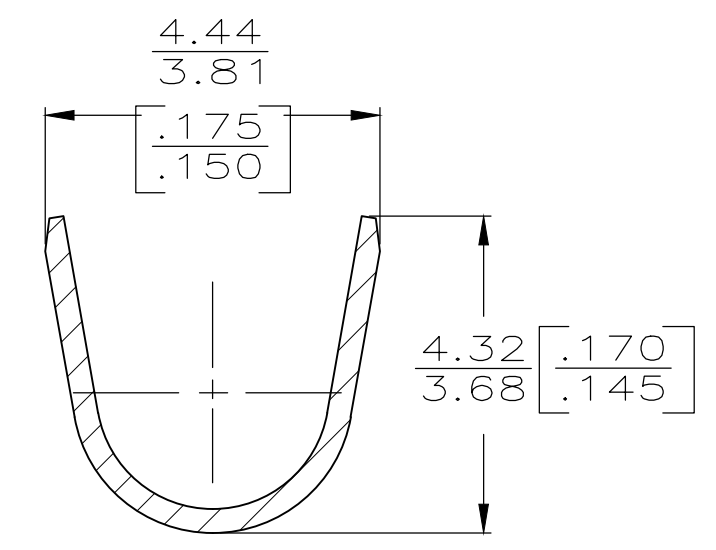
GAP AS REQUIRED TO MEET FORCE SPECIFICATIONS AND 0.45 [.018] MAX



VIEW A-A
SCALE 10:1



SECTION B-B
SCALE 10:1



SECTION C-C
SCALE 10:1

0.305±0.025
[.012±.001]

2.29-3.30 [.090-.130]	[#22-#18] AWG	0.53-0.48 [.021-.019]	63347-1
INSULATION RANGE	WIRE SIZE	MATING TAB THICKNESS	PART NO

THIS DRAWING IS A CONTROLLED DOCUMENT.

DIMENSIONS: mm [INCHES]	TOLERANCES UNLESS OTHERWISE SPECIFIED:
	0 PLC ± -
	1 PLC ± -
	2 PLC ± 0.25 [.010]
	3 PLC ± -
	4 PLC ± -
	ANGLES ± -
MATERIAL BRASS	FINISH -

DWN JR RUTH 2/8/96	TE Connectivity RECEPTACLE, FASTON™ 4.75 [.187] SERIES	RESTRICTED TO		
CHK P FORTNEY 2/8/96		---		
APVD J HUZVAR 2/8/96		NAME		
PRODUCT SPEC		---		
APPLICATION SPEC	---	---		
114-2036	SIZE	CAGE CODE	DRAWING NO	RESTRICTED TO
WEIGHT	A3	00779	C-63347	---
CUSTOMER DRAWING	SCALE	SHEET	REV	D1
	5:1	1 OF 1		