

BKIT-VFX69383

Assembly and Installation Instructions

The BKIT-VFX69383 accessories can aid the installation of Laird Connectivity's Gar and Barracuda vehicular antenna family for installation on certain Ford Explorer Interceptor and other vehicles with unique roof ridges. The use of these adapters can help ensure a water-tight interface between the antenna and the vehicle.

The BKIT-VFX69383-001 is intended for applications in which the antenna is located between roof ridges, thus allowing the antenna to rise above lower ridge taper areas that could restrict the antenna from sitting fully flat between the ridges. The BKIT-VFX69383-003 is intended for use atop the ridge, wrapping around the edge of the ridge to provide more interface area contact to prevent water ingress.

BKIT-VFX69383-001

NO.	PART NUMBER	QTY	DESCRIPTION
1	107-00140	1	Pad, rubber base plate
2	153-00149	1	Drill template (cardboard)
3	166-00066	1	Foam fixture
4	107-00144	2	Foam core

BKIT-VFX69383-003

NO.	PART NUMBER	QTY	DESCRIPTION
1	107-00148	1	Pad, rubber base plate
2	153-00149	1	Drill template (cardboard)
3	166-00066	1	Foam fixture
4	107-00144	2	Foam core

To assemble, follow these steps:

1. Place the foam fixture on a flat, solid surface.
2. Insert the antenna into the foam fixture.
3. Remove the liner from the rubber pad (antenna side).
4. Arrange the antenna cable and insert it through the center hole of the rubber pad.
5. Securely stick the rubber pad to the top of the antenna.
6. Install the two supplied foam cores (107-00144). Remove the liner, position the foam cores as shown in Figure 2, and press them into place.

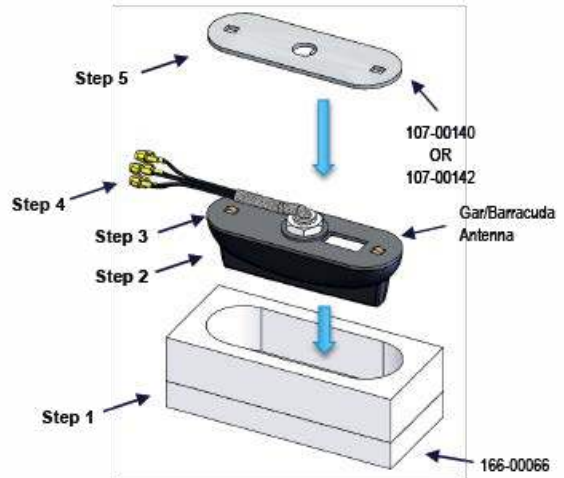


Figure 1

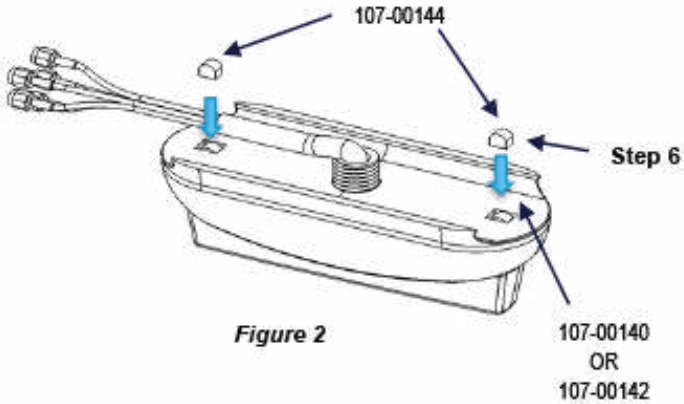


Figure 2

Drill template (cardboard)

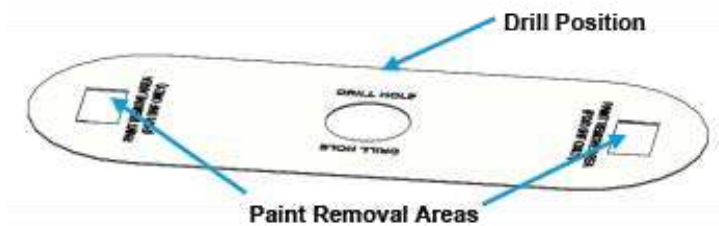


Figure 3

1. Place the cardboard drilling template on the desired location of the roof top of vehicle.
2. Use the drill template as a guide to drill a hole to fix the antenna.
3. Mark the location for drilling. For better UHF performance (option):
4. Following the template, mark the Paint Removal Areas (shown in Figure 3).
5. Remove the paint in these areas to ensure the best performance of the antenna.

LOCATION

The antenna should be mounted on the desired location before connecting the cable. This ensures that the cable is not twisted or damaged during the mounting of the antenna.

MOUNTING

Use the following as guidance when mounting the antenna:

Note: The mounting area should be clean of any debris, clear from obstructions, and as flat as possible.

1. Punch or drill a 21-millimeter hole in the roof of the vehicle.
Note: A 300-millimeter clearance radius around the antenna is recommended.
The recommended orientation is facing the front of the vehicle with cables facing the rear. Refer to Figures 4 and 5.
2. Feed the cables from the bottom of the antenna through the topside of the 21-millimeter hole.
3. Peel the adhesive covering on the bottom side of the antenna's gasket.
4. Place the threads of the antenna through the hole so that the gasket of the antenna is flat on the vehicle surface.
5. Slide the lock-nut and washer around the five cables and finger-tighten to the stud of the antenna.
6. Tighten the nut with a wrench using 10 Nm (Max 15 Nm) of torque.
7. Use a short service loop (slack) with tie-downs to secure the antenna cables such that any force or movement will not be transmitted to the antenna connectors or the apparatus. Minimum bending radius for the cable exiting the bottom of the antenna is 10 millimeters.

ANTENNA WITH BKIT-VFX69383-001

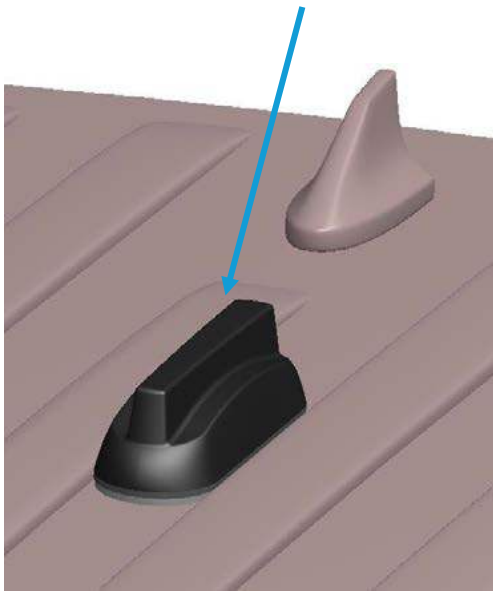


Figure 4

ANTENNA WITH BKIT-VFX69383-003

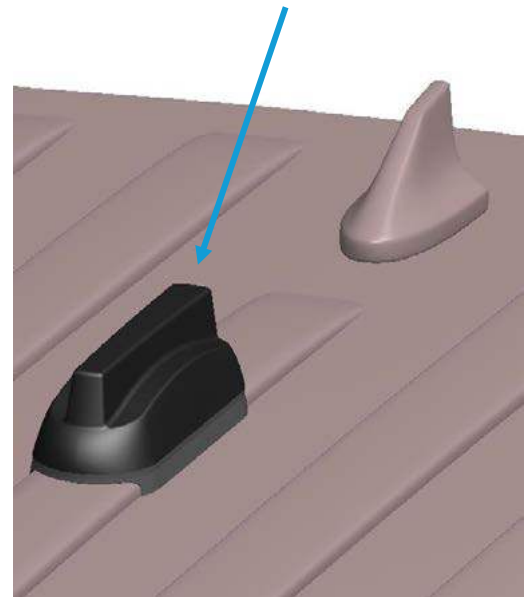


Figure 5

te.com

TE, and TE connectivity (logo) are trademarks owned or licensed by the TE Connectivity Ltd. family of companies. All other logos, products and/or company names referred to herein might be trademarks of their respective owners.

The information given herein, including drawings, illustrations and schematics which are intended for illustration purposes only, is believed to be reliable. However, TE Connectivity makes no warranties as to its accuracy or completeness and disclaims any liability in connection with its use. TE Connectivity's obligations shall only be as set forth in TE Connectivity's Standard Terms and Conditions of Sale for this product and in no case will TE Connectivity be liable for any incidental, indirect or consequential damages arising out of the sale, resale, use or misuse of the product. Users of TE Connectivity products should make their own evaluation to determine the suitability of each such product for the specific application.

TE Connectivity warrants to the original end user customer of its products that its products are free from defects in material and workmanship. Subject to conditions and limitations TE Connectivity will, at its option, either repair or replace any part of its products that prove defective because of improper workmanship or materials. This limited warranty is in force for the useful lifetime of the original end product into which the TE Connectivity product is installed. Useful lifetime of the original end product may vary but is not warranted to exceed one (1) year from the original date of the end product purchase.

©2022 TE Connectivity. All Rights Reserved.

08/22 Original

TE TECHNICAL SUPPORT CENTER

USA:	+1 (800) 522-6752
Canada:	+1 (905) 475-6222
Mexico:	+52 (0) 55-1106-0800
Latin/S. America:	+54 (0) 11-4733-2200
Germany:	+49 (0) 6251-133-1999
UK:	+44 (0) 800-267666
France:	+33 (0) 1-3420-8686
Netherlands:	+31 (0) 73-6246-999
China:	+86 (0) 400-820-6015