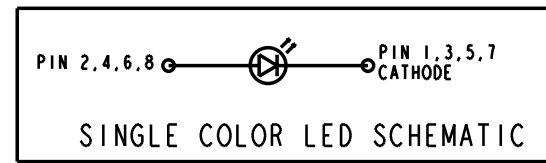
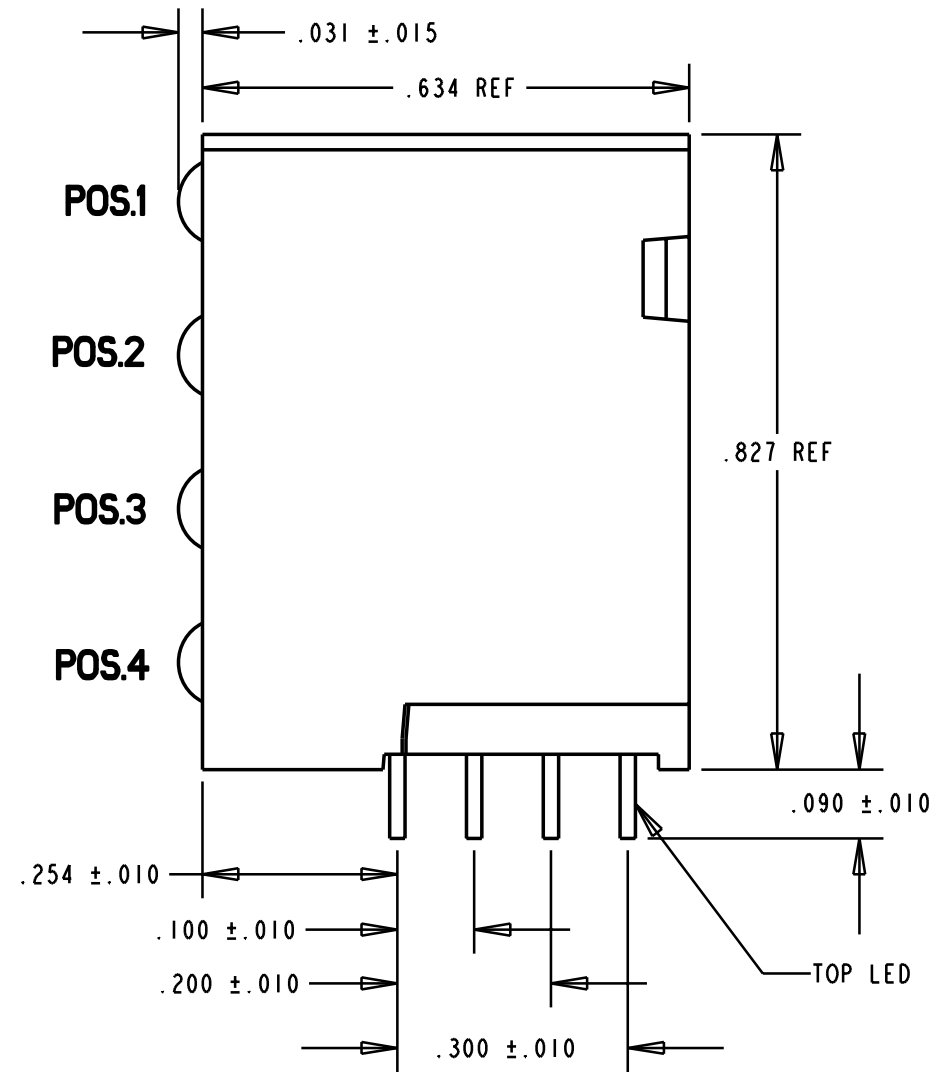
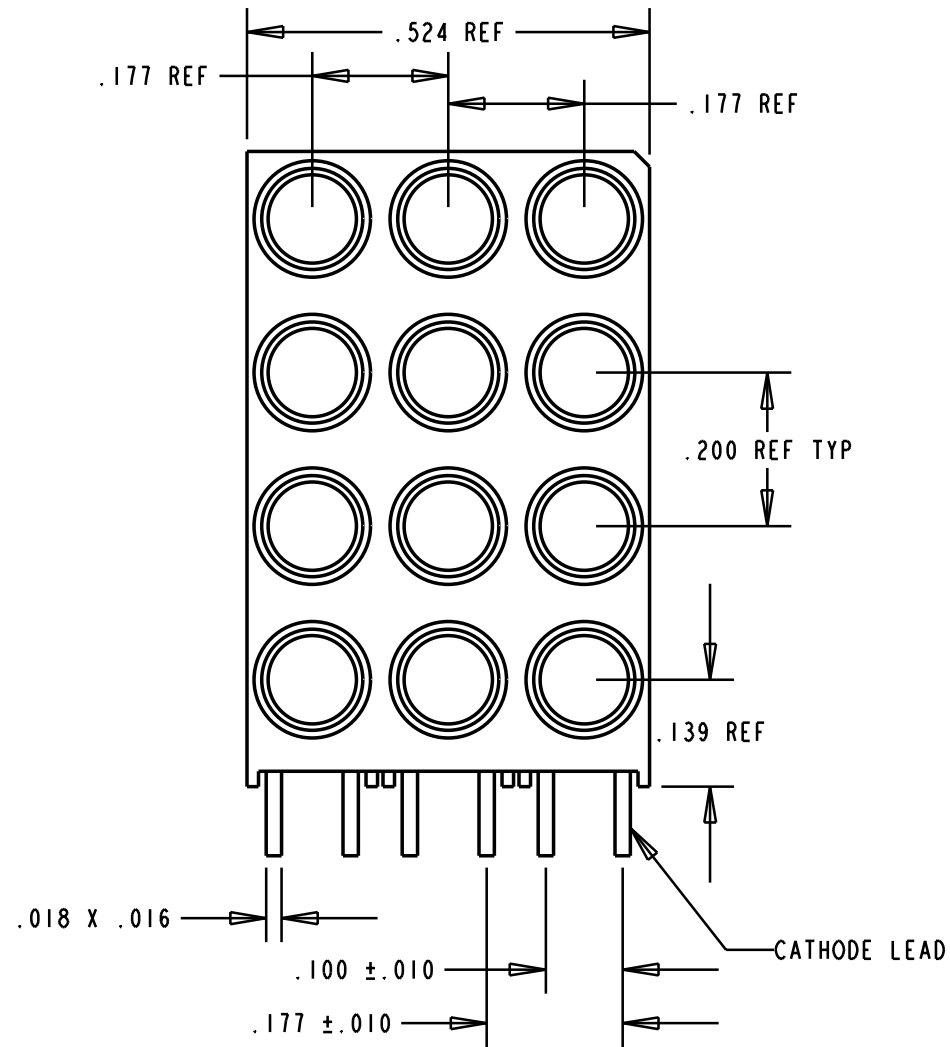


| PART NUMBER | POSITION 1 | POSITION 2 | POSITION 3 | POSITION 4 |
|---------------|-----------------|-----------------|-----------------|-----------------|
| 568-0241-1113 | RED DIFFUSED | RED DIFFUSED | RED DIFFUSED | RED DIFFUSED |
| 568-0242-2223 | GREEN DIFFUSED | GREEN DIFFUSED | GREEN DIFFUSED | GREEN DIFFUSED |
| 568-0243-3333 | YELLOW DIFFUSED | YELLOW DIFFUSED | YELLOW DIFFUSED | YELLOW DIFFUSED |

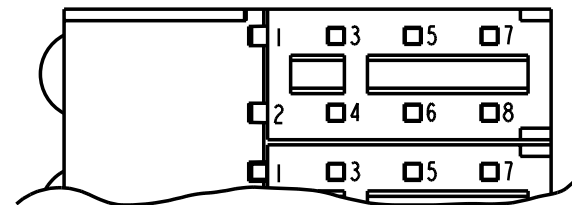
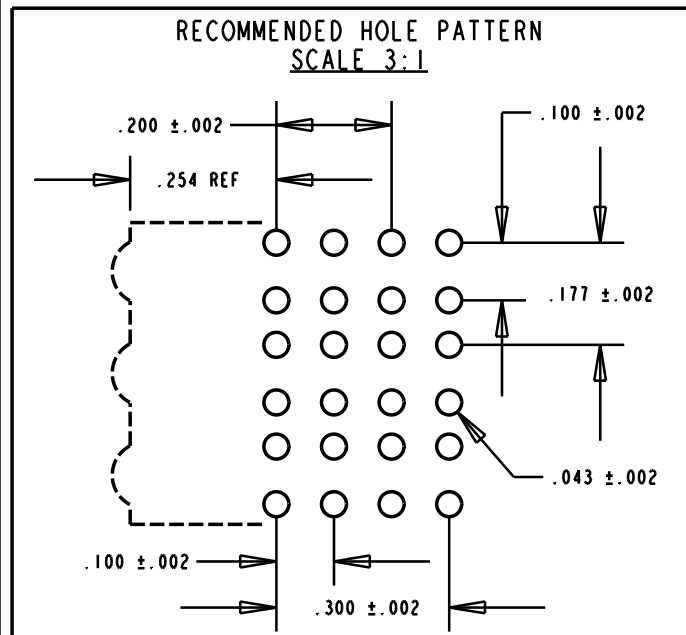


| REV. | ECN NO. | REVISIONS | DRN. | CKD. | APP. | DATE |
|------|---------|-------------|------|------|------|------|
| A | | NEW RELEASE | TC | | | |



NOTES:

- LEADS TO FIT INTO HOLES SPACED AS PER HOLE PATTERN
- LEADS TO BE FREE OF DEFORMATION AFTER BENDING AND CUTTING
- PIN NUMBERS FOR REFERENCE ONLY, DESIGNATION NON-EXISTENT ON PART
- LED LEAD DIMENSIONS SHOWN ARE MEASURED AT HOUSING EXIT
- PACKAGING =
BLOCKS ARE PLACED IN CLEAR ANTISTATIC TRAY
105 BLOCKS PER TRAY
- DIALIGHT PART NUMBER: 568-024X-XXX3



| OPERATING CHARACTERISTICS AT 25°C AMBIENT | | | | | | |
|---|-----------|-----|-----|-----|--------|-----------------------|
| CHARACTERISTICS | LED COLOR | MIN | TYP | MAX | UNITS | TEST CONDITIONS |
| LUMINOUS INTENSITY | RED | 1.0 | 1.6 | | mcd | I _f = 2 mA |
| | GREEN | 1.0 | 1.6 | | | |
| | YELLOW | 1.0 | 1.6 | | | |
| FORWARD VOLTAGE | RED | | 1.7 | 2.2 | V | I _f = 2 mA |
| | GREEN | | 1.9 | 2.2 | | |
| | YELLOW | | 1.8 | 2.7 | | |
| REVERSE CURRENT | ALL | | 10 | | μA | V _R = 5 V |
| PEAK WAVELENGTH | RED | | 635 | | nm | |
| | GREEN | | 565 | | | |
| | YELLOW | | 585 | | | |
| VIEWING ANGLE | ALL | | 60 | | Degree | |

| ABSOLUTE MAXIMUM RATING AT 25°C AMBIENT | | |
|---|-------|-------------|
| | UNITS | ALL |
| POWER DISSIPATION | mW | 20 |
| CONTINUOUS FORWARD CURRENT | mA | 7 |
| FORWARD SURGE CURRENT (10 μ SEC PULSE) | mA | 500 |
| REVERSE VOLTAGE | V | 5 |
| LEAD SOLDERING TEMPERATURE, 5 SEC., 1/16" FROM BODY | °C | 260 |
| OPERATING TEMPERATURE | °C | -55 TO +100 |
| STORAGE TEMPERATURE | °C | -55 TO +100 |

THIS DRAWING AND THE CONTENTS HEREIN ARE CONFIDENTIAL AND THE SOLE PROPERTY OF DIALIGHT. REPRODUCTION OF THIS DRAWING OR CONSTRUCTION OF ANY PARTS WITHIN THIS DRAWING ARE FORBIDDEN WITHOUT THE WRITTEN CONSENT OF DIALIGHT.

| SCALE 4:1 | | DRAWING NUMBER | REV |
|--|--|---|-----|
| ALL DIM'S IN: INCHES | | C-16612 | A |
| TOLERANCES: UNLESS OTHERWISE SPECIFIED | | TITLE 4X3 CBI ARRAY BLOCK | |
| FRACTIONS: ±1/64 | | MATERIAL | |
| DECIMALS (.XX): ±.020 | | | |
| DECIMALS (.XXX): ±.015 | | | |
| DECIMALS (.XXXX): ±.005 | | 1913 ATLANTIC AVE. MANASQUAN, N.J. 08736 | |
| ANGLES: ±3° | | SHEET OF FAMILY TABLE: | |
| FINISH: | | FSCM 83330 | |