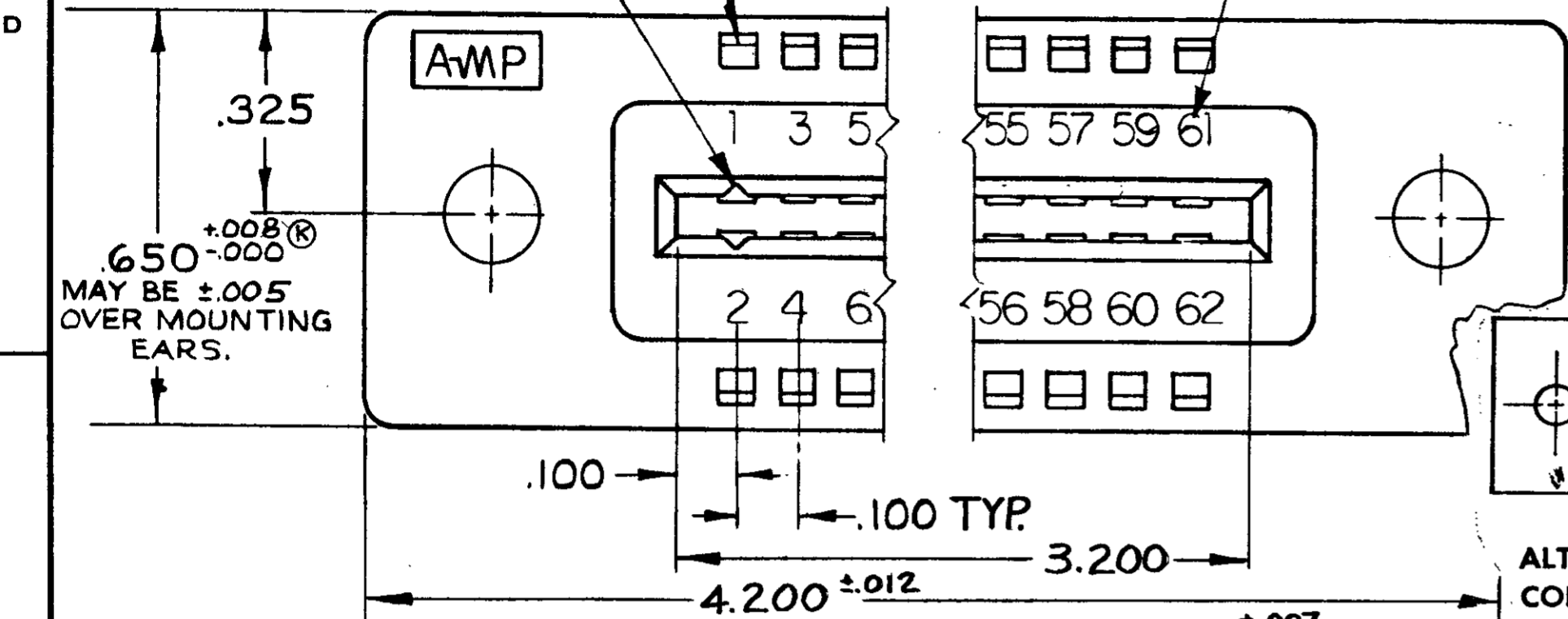
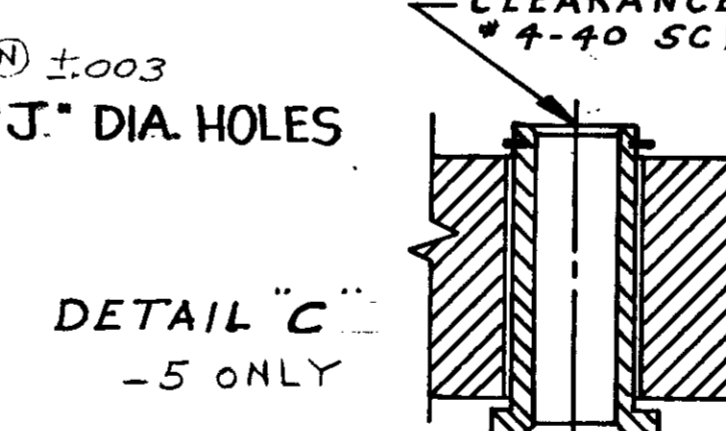
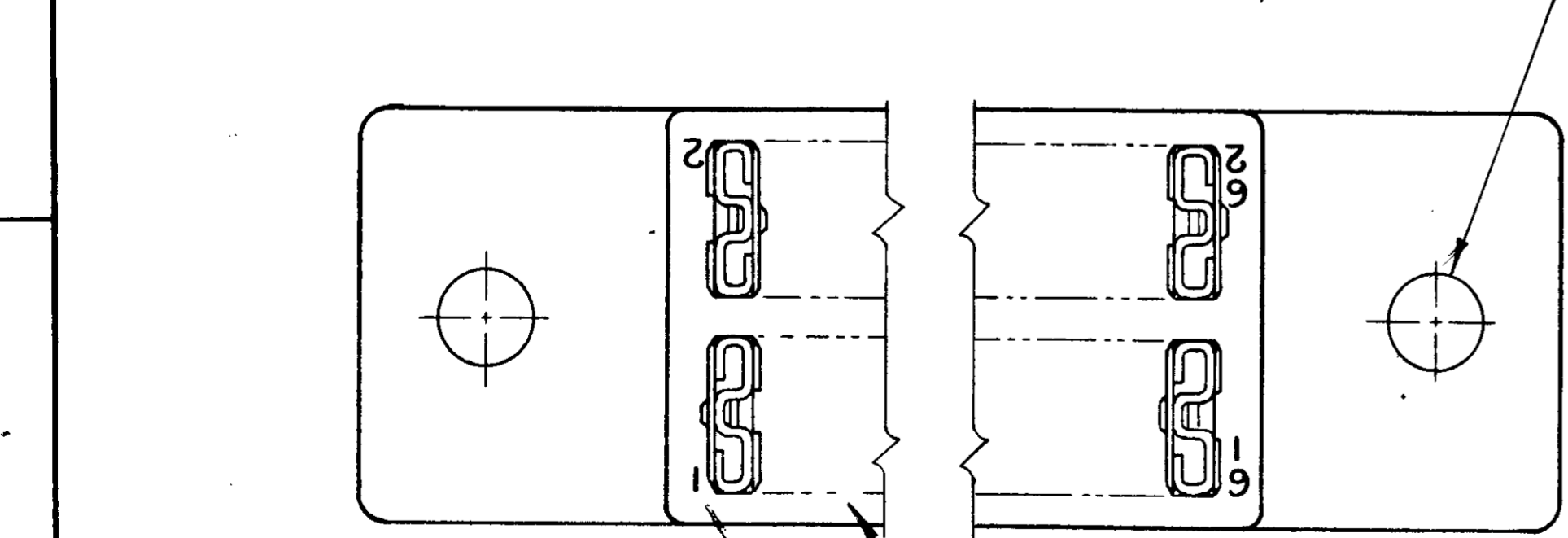
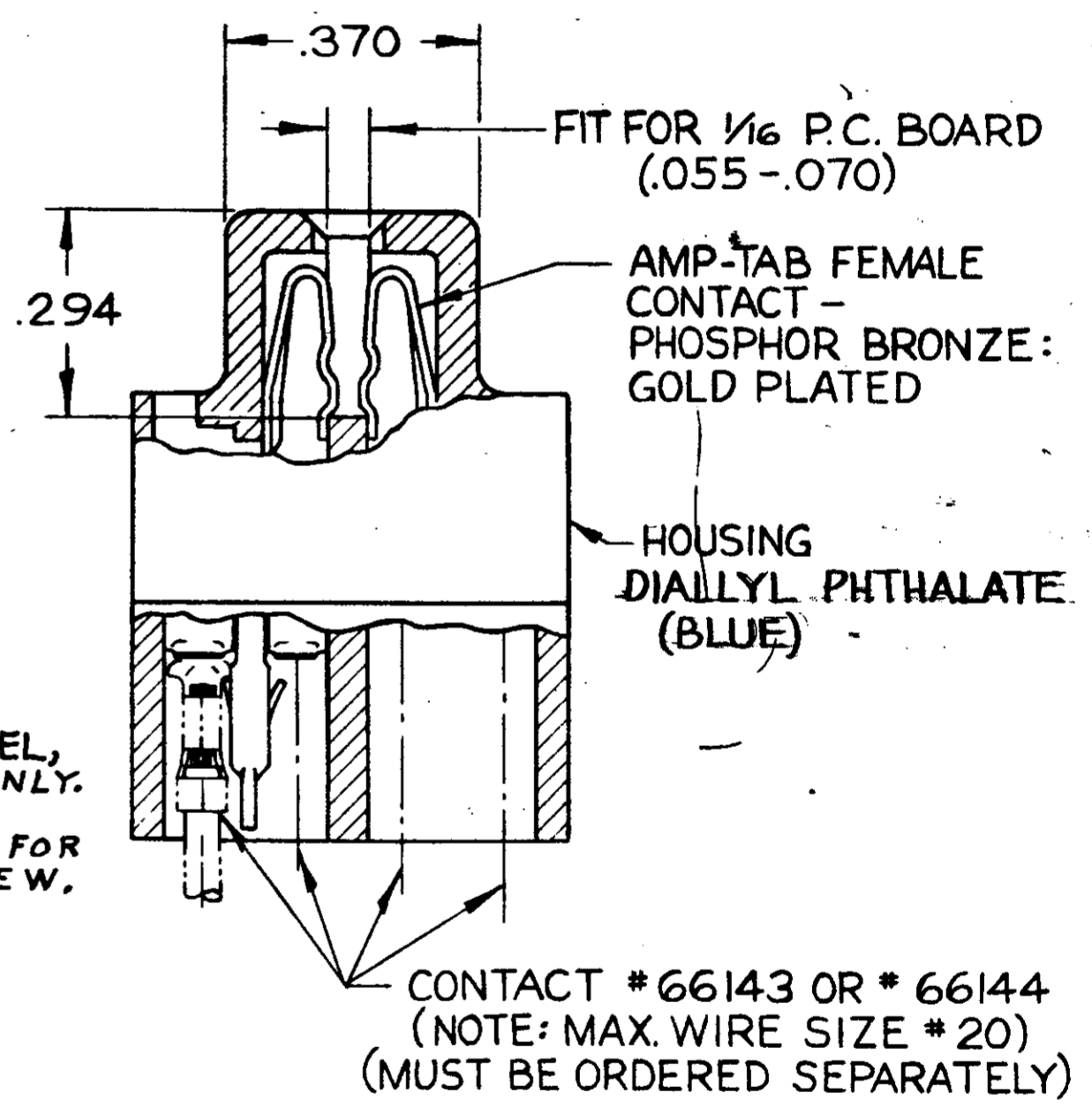
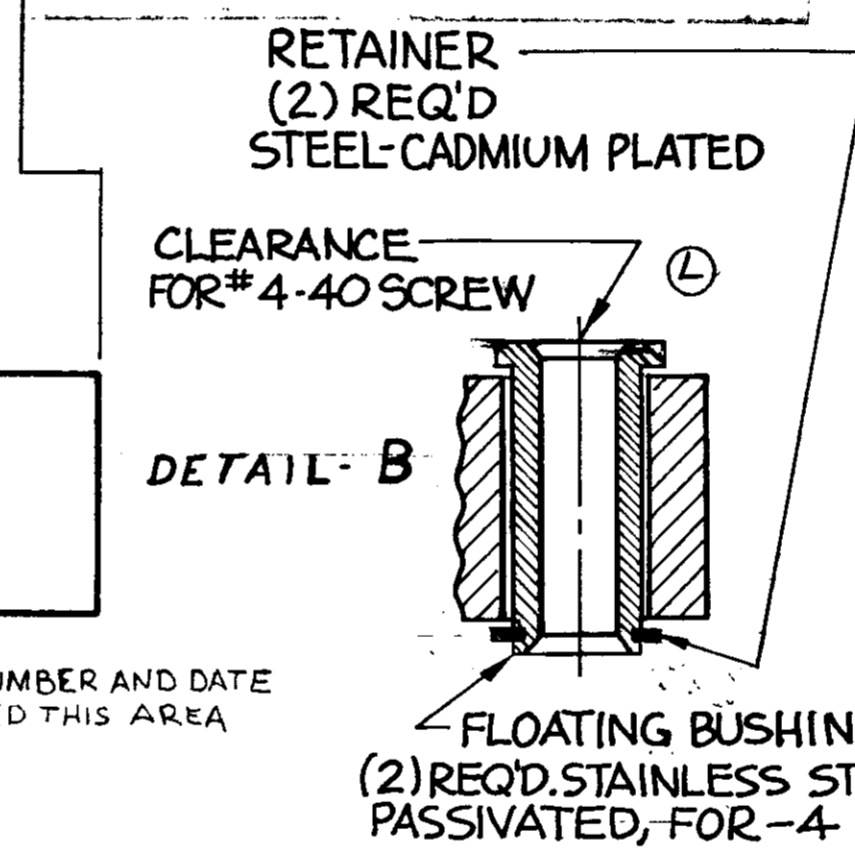
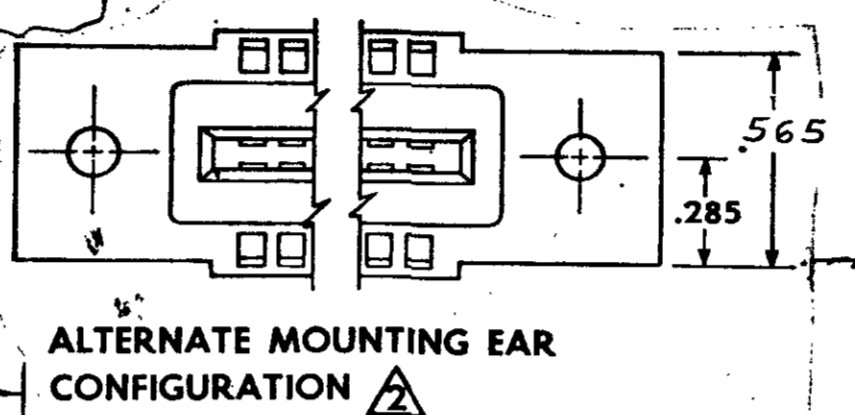
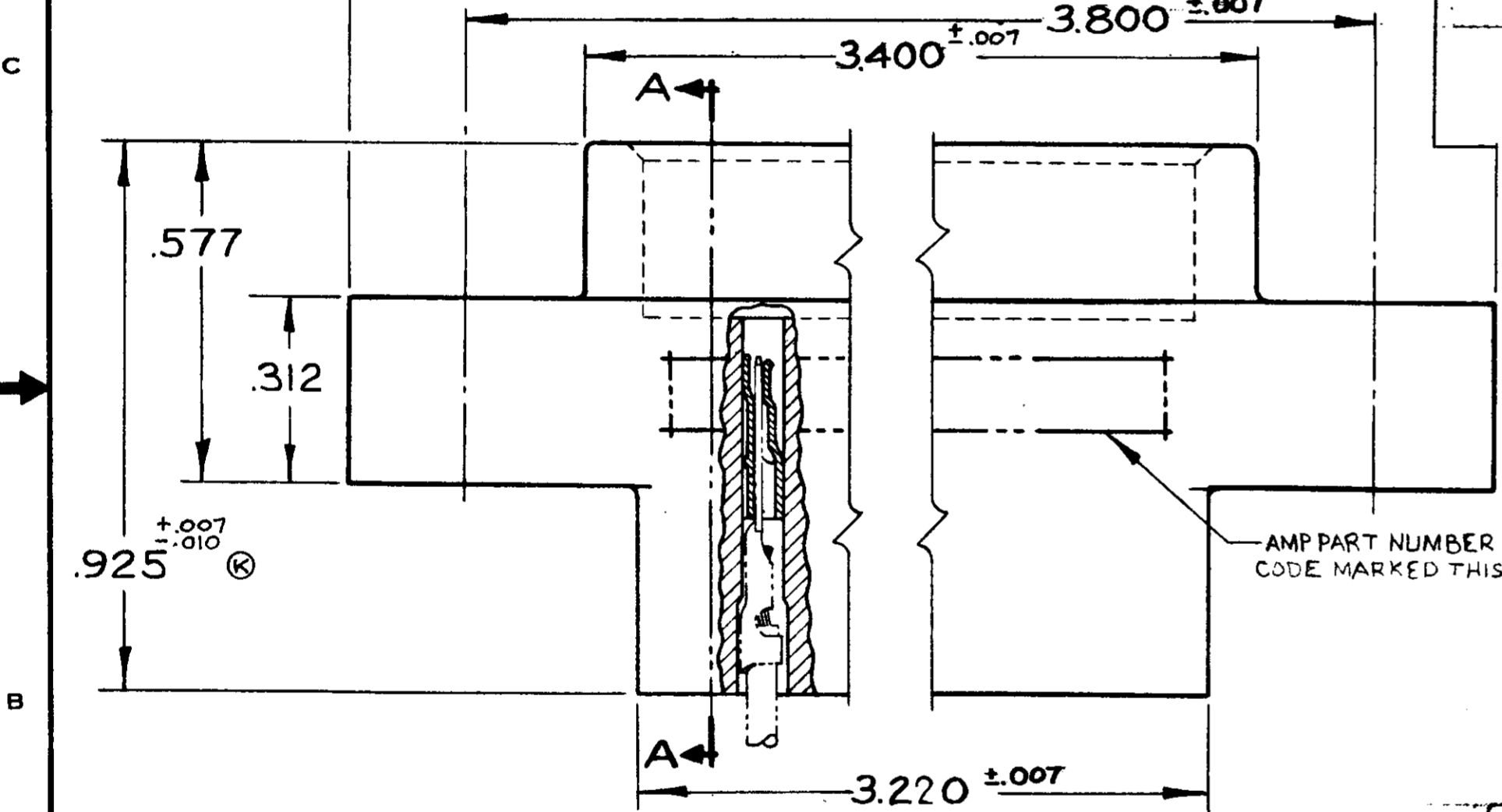


© 1962 BY AMP INCORPORATED. ALL RIGHTS RESERVED. AMP PRODUCTS COVERED BY PATENTS AND/OR PATENTS PENDING. APPROVED PER GOVT CONTRACT NO.

REVISIONS				
ZONE	LTR	DESCRIPTION	DATE	APPROVED
W		ECO-08-020973	PY 11-08	JW



(1)582591-1. SAME AS -1 EXCEPT TO HAVE CAVITY IDENTIFICATION ON TOP SURFACE OF HOUSING
 OBSOLETE ~~582591-5~~ 1. SAME AS -1 EXCEPT:
 2. WITH FLOATING BUSHINGS (SEE DETAIL "C")
~~582591-1~~ 1. AS SHOWN "J" DIA HOLES = .128
 OBSOLETE ~~582591-2~~ 1. SAME AS -1 EXCEPT:
 2. "J" DIA HOLES = .156



▲ GROOVES FOR "ON CONTACT KEYING" AMP'S OPTION DEPENDING ON METHOD OF MANUFACTURE. FOR "ON CONTACT" KEYING USE KEYING PLUG P/N 583487-1. (MUST BE ORDERED SEPARATELY.)
 ▲ MOUNTING EAR CONFIGURATION AMP'S OPTION DEPENDS ON METHOD OF MANUFACTURE.

CIRCUIT CAVITY IDENTIFICATION MARKING PER MIL-C-21097
 MARK FIRST 5 POSITIONS, NEXT 5 POSITIONS FLAIN

3. LASER MARKING ACCEPTABLE FOR ALL MARKING

UNLESS OTHERWISE SPECIFIED DIMENSIONS ARE IN INCHES TOLERANCES ON FRACTIONS DECIMALS ANGLES ± ±.005 ± ±		CONTRACT NO		AMP INCORPORATED HARRISBURG, PENNSYLVANIA	
SEE CALLOUT		DR <i>J. Cant</i>	DATE 2-16-66	NAME	
SEE CALLOUT		CHK <i>W. Summa</i>	DATE 2-16-67	31 POSITION AMP-TAB CONNECTOR .100 CENTERS QUAD.	
HEAT TREAT		DSGN ENGR	DATE 7-14-67	SIZE C	CODE IDENT NO 00779
FINISH		APPD <i>J. Kaufman</i>	DATE 7-14-67	NUMBER 582591	REV W
SEE CALLOUT		DSGN APPD	OTHER APPD	SCALE 4-	WT CALC ACTUAL SHEET

AMP INFO
 LOC PRINT DIST
 DF FO

NUMBER CUS. 582591