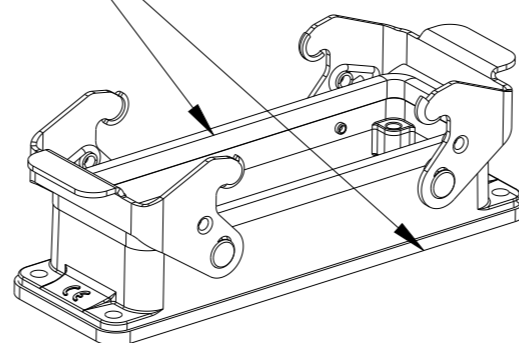
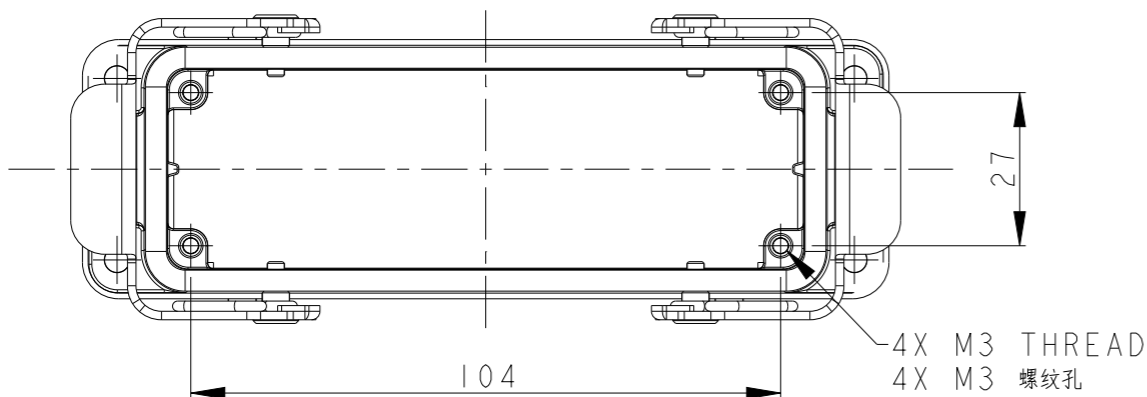


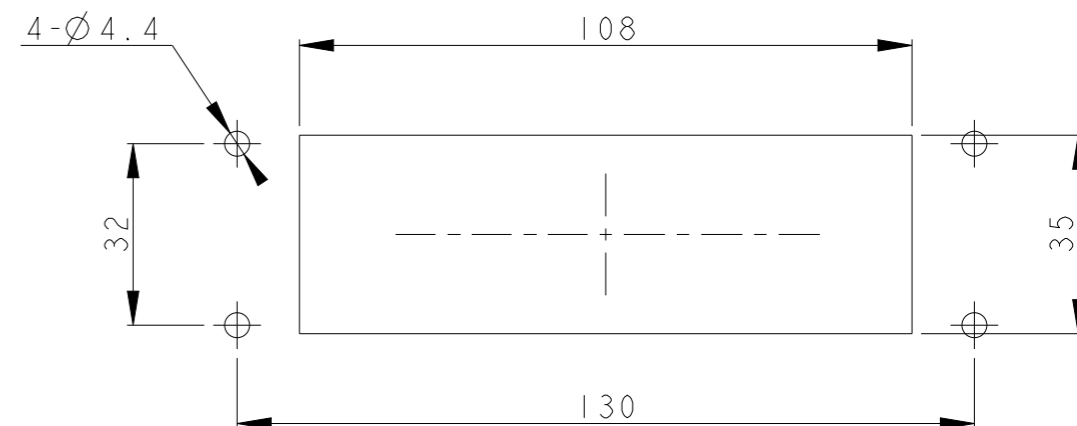
REVISIONS

P	LTR	DESCRIPTION	DATE	DWN	APVD
	A	INITIAL RELEASE	12JUN2015	DL	CW
	B	ECR-20-014876	16JUL2021	WQR	CW

FOR FG "TI410242000-100"
SEAL FIXED BY GLUE



SCALE 1:2



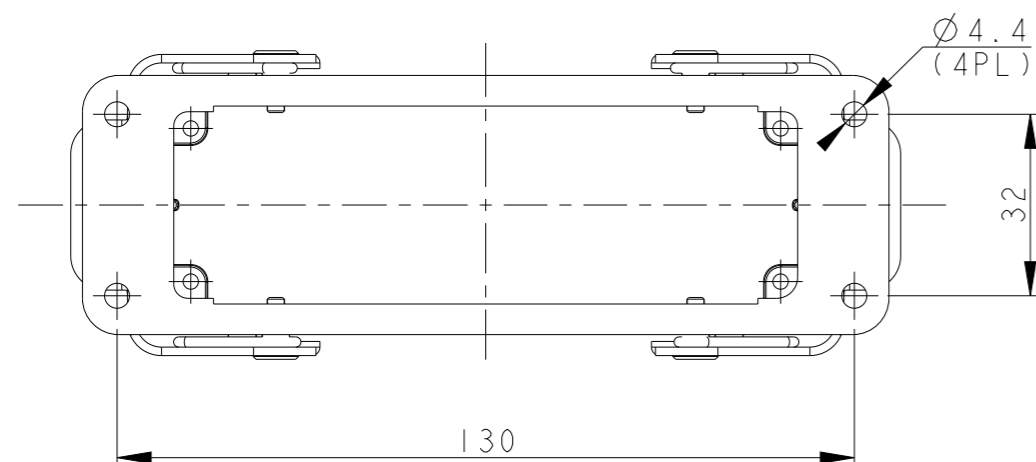
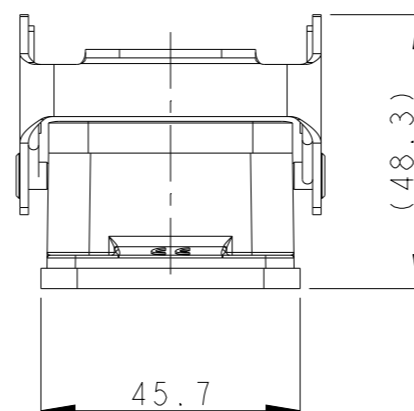
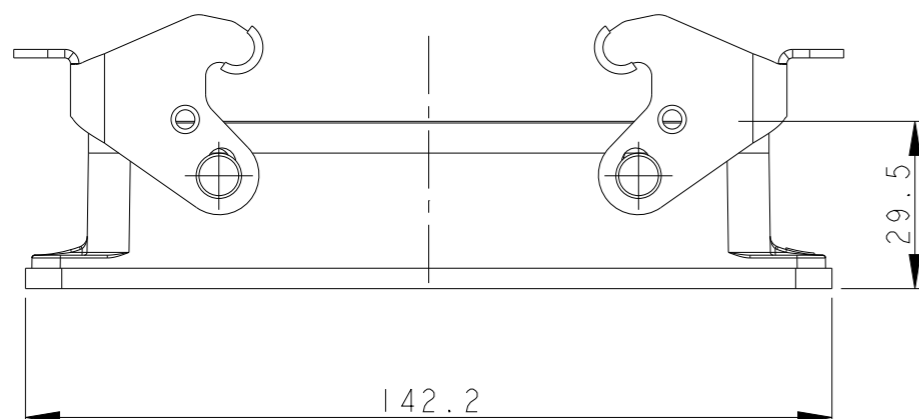
开孔安装示意图
PANNEL CUT OUT

NOTES:

- 1. TECHNICAL CHARACTERISTICS:
BODY MATERIAL: DIE CAST ALUMINIUM ALLOY
SURFACE TREATMENT: POWDER-COATED, GRAY
DEGREE OF PROTECTION: IP65 (MATED)

注释:

- 1. 技术参数:
主体材料: 铝合金
表面处理: 粉末喷涂, 灰色
防护等级: IP65(配合)



TI410242000-000	H24B-AG	-
TI410242000-100		SEAL FIXED BY GLUE
ASSEMBLY PART NUMBER	ASSEMBLY PART DESCRIPTION	REMARK

THIS DRAWING IS A CONTROLLED DOCUMENT.		DWN	DAVID LI	12JUN2015	 TE Connectivity	NAME	H24B-AG	
DIMENSIONS:		CHK	CHRIS WANG	12JUN2015				
mm		APVD	XU XIANG	12JUN2015				
TOLERANCES UNLESS OTHERWISE SPECIFIED:		PRODUCT SPEC		108-137013				
0 PLC ±-		APPLICATION SPEC		114-137013	SIZE	CAGE CODE	DRAWING NO	RESTRICTED TO
1 PLC ±-		MATERIAL		WEIGHT	A3	-	©-TI410242000X00	-
2 PLC ±-		FINISH		CUSTOMER DRAWING	SCALE	3:4	SHEET	1 OF 1
3 PLC ±-							REV	B
4 PLC ±-								
ANGLES ±-								