

Product Specification



Patch Antenna JLT868S50P9A

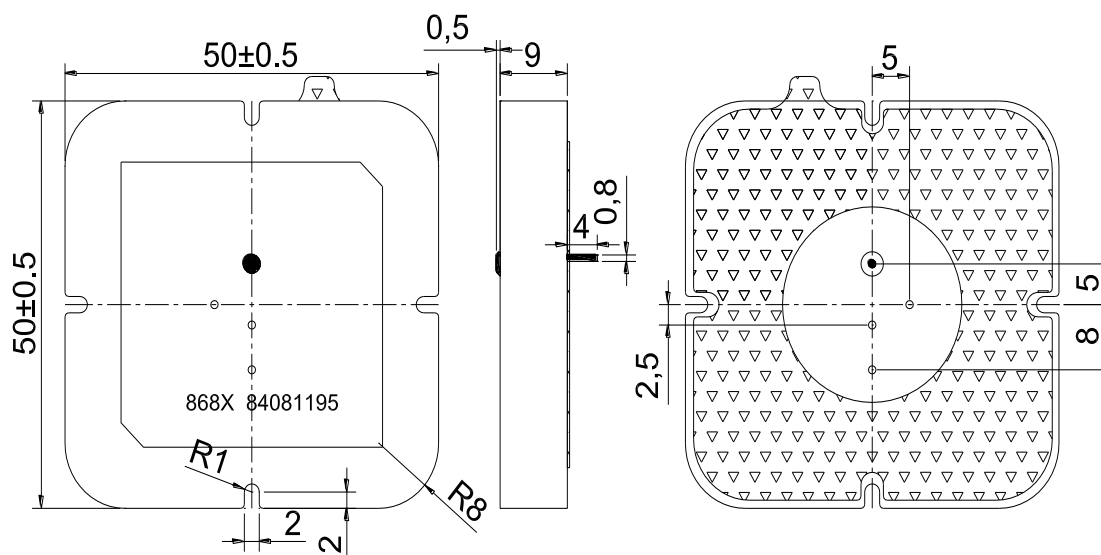
Feature

- High gain , Compact
- Pin type
- Customization available

Electrical Specification

Center Frequency	866.5± 3.0 MHz
Return Loss @ F0	≥ 15dB
Polarization	RHCP
Ground plane	70x70mm
Impedance	50 Ω
Operation Temperature Range	-40 ~ +85°C

Mechanical Drawing



The last "X" is the month code

Tolerance Unless Otherwise Specified:±0.30
Unit: mm

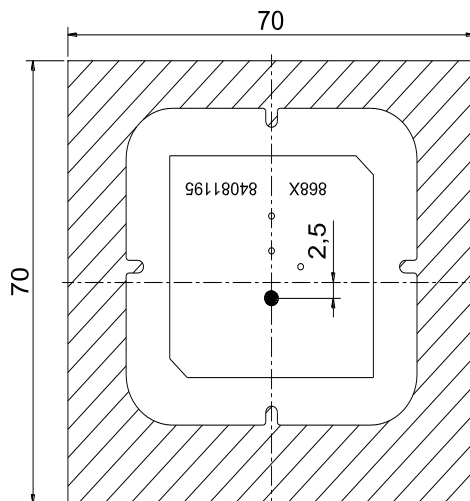
Product Specification



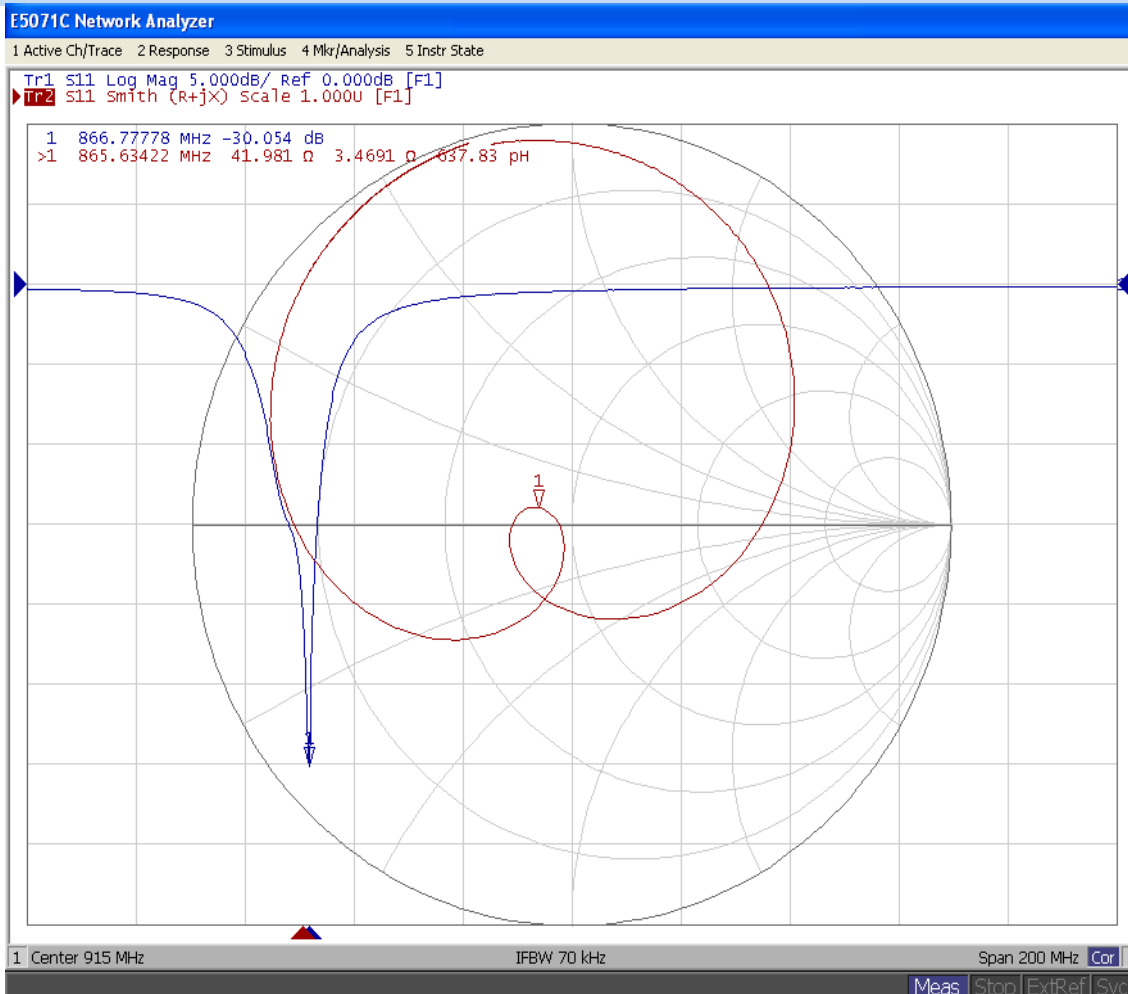
Patch Antenna

JLT868S50P9A

Test Fixture



Characteristics

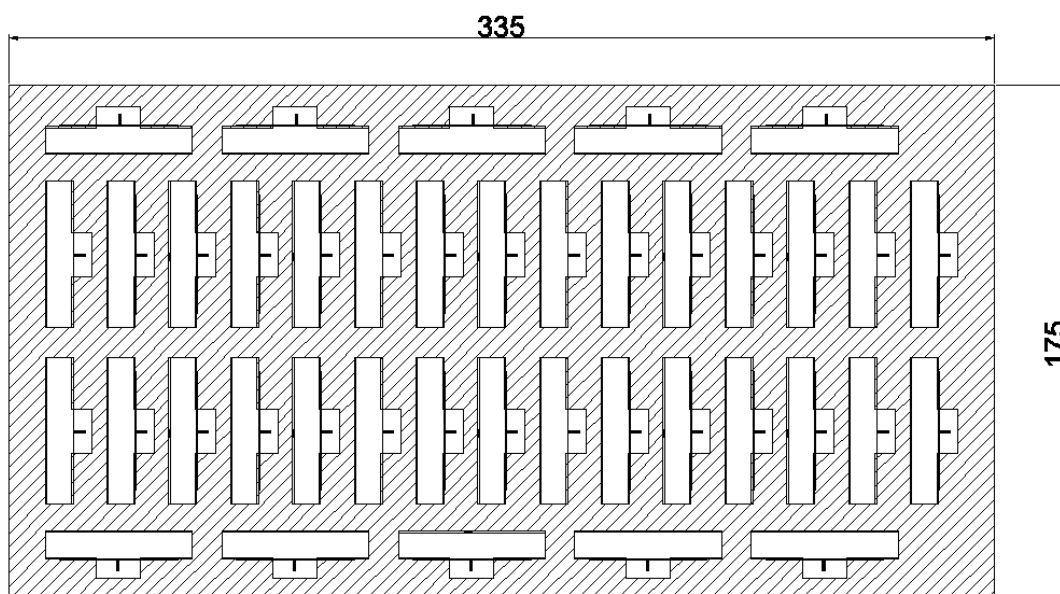
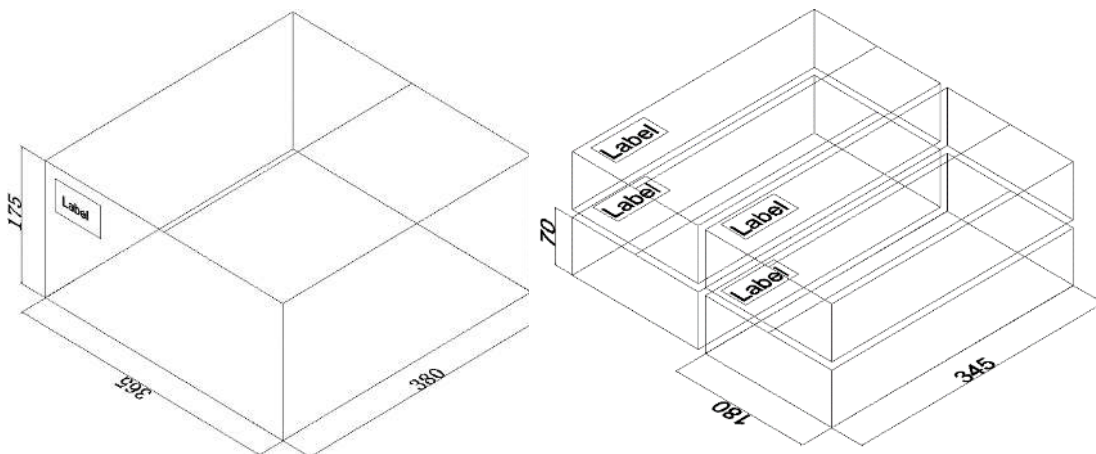


Product Specification



Patch Antenna JLT868S50P9A

Packaging



Per package base	40 elements
Per inner box	1 bag
Per package	4 inner boxes (160 pieces of elements)