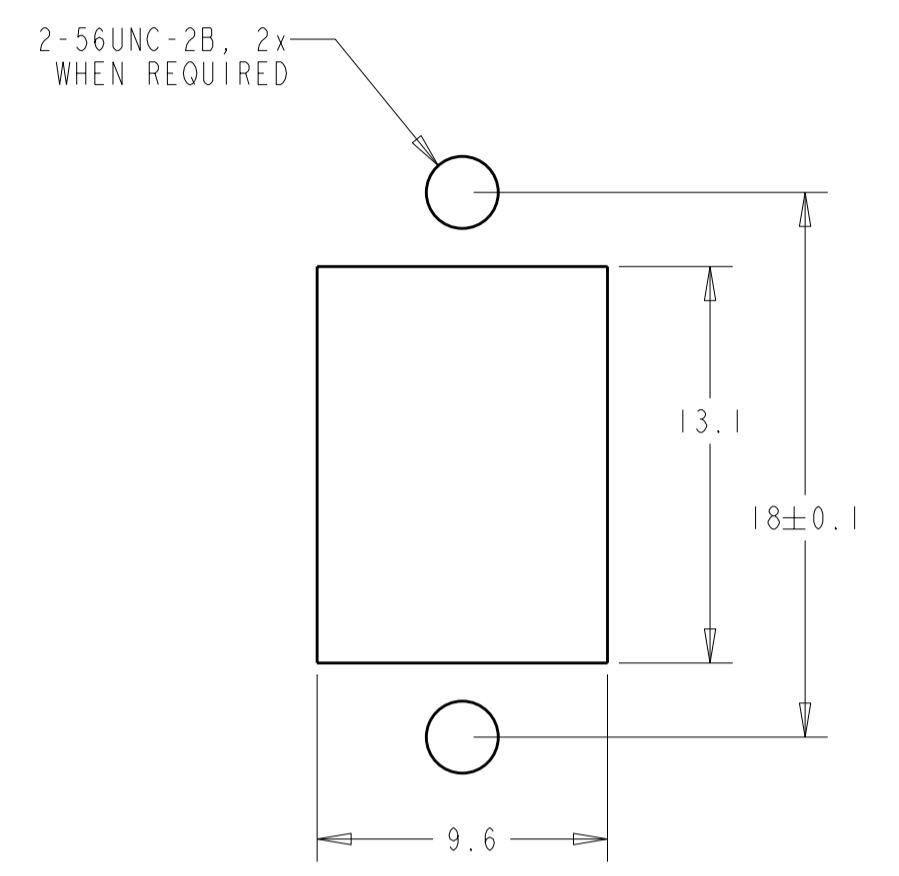
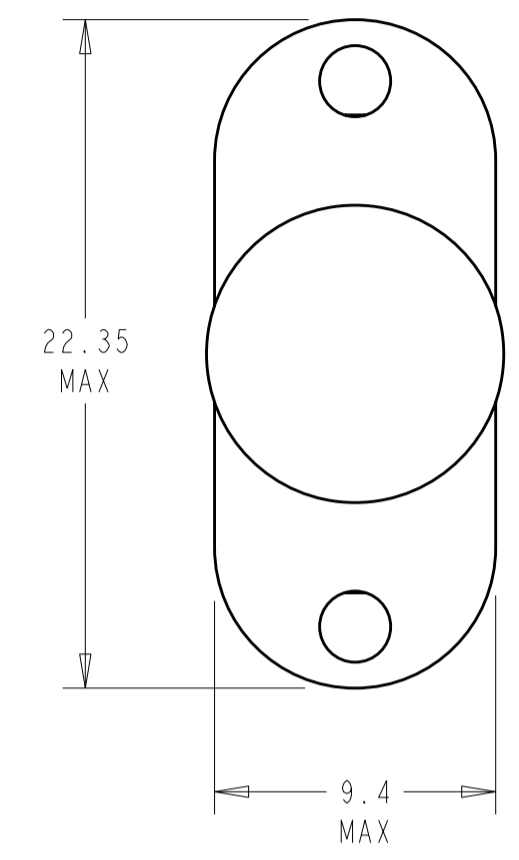
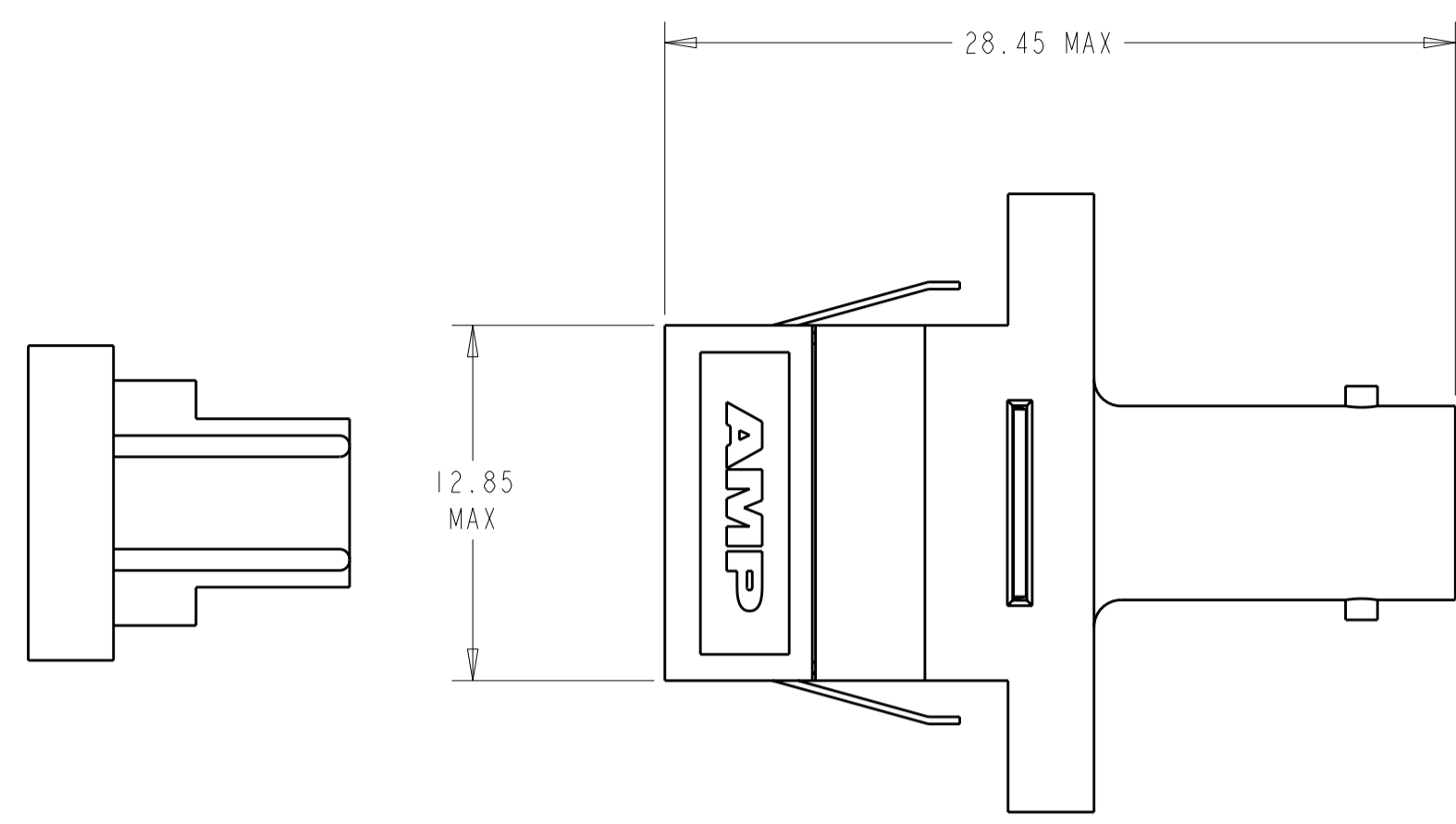
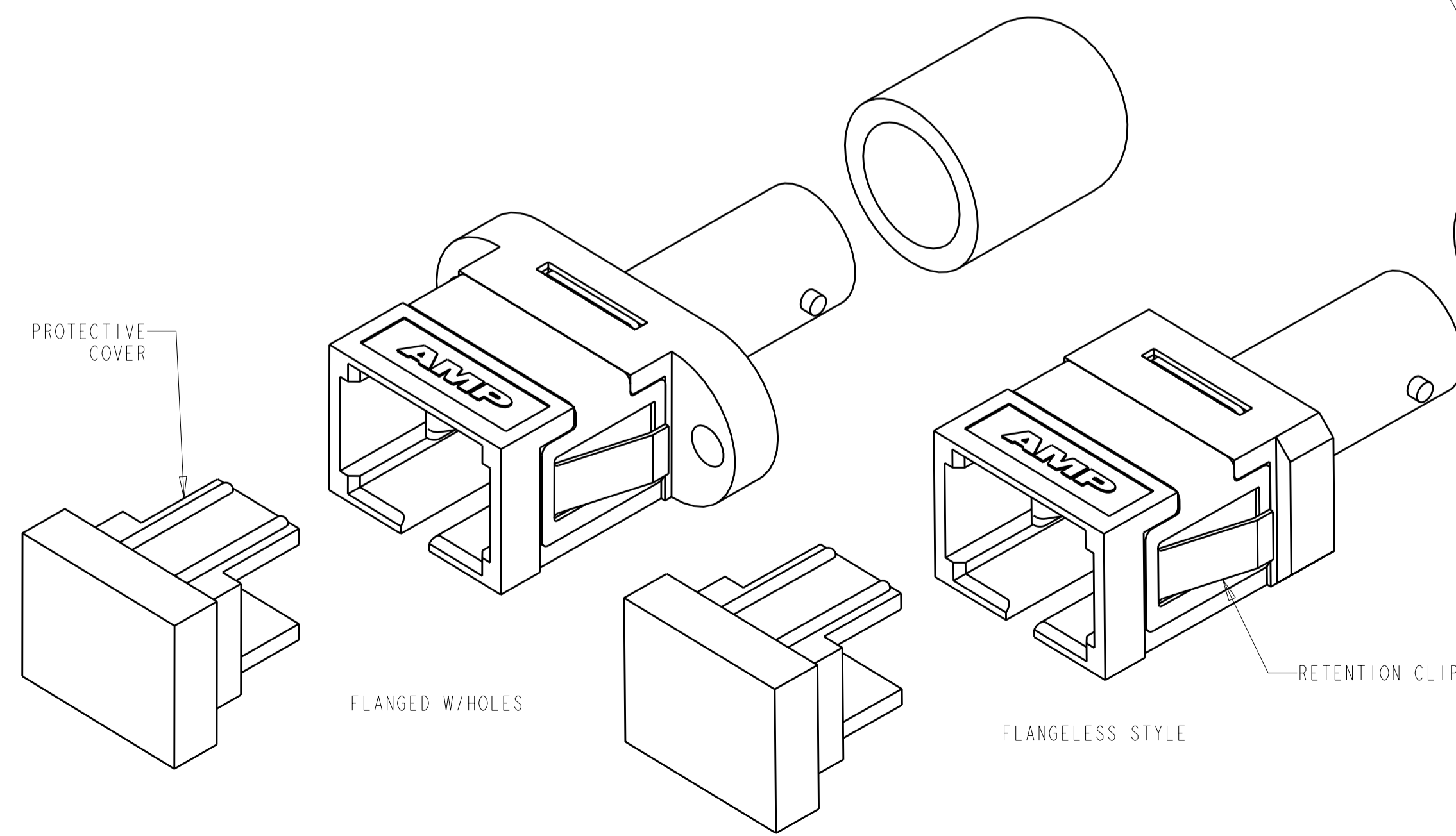
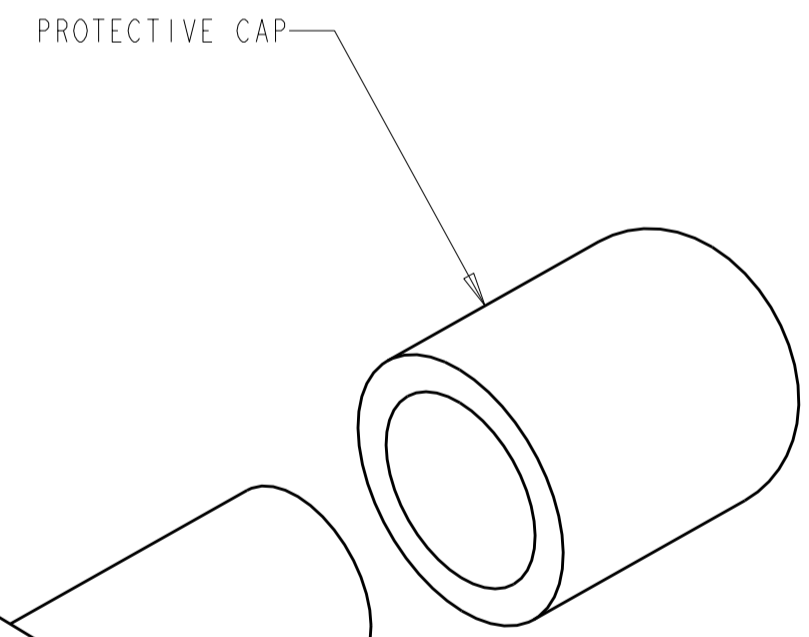


THIS DRAWING IS UNPUBLISHED. RELEASED FOR PUBLICATION  
 © COPYRIGHT 19 BY TYCO ELECTRONICS CORPORATION. ALL RIGHTS RESERVED.

LOC	DIST	REVISIONS			
P	LTR	DESCRIPTION	DATE	DWN	APVD
CE	00	A	RELEASE TO ACTIVE	07JUN2006	BB SM



- 1 MATERIAL:  
 HOUSING: DIECAST ZINC, NICKEL PLATED.  
 ALIGNMENT SLEEVE: SEE DASH NOS.  
 PROTECTIVE COVER: TPE, COLOR: BLACK.\*  
 RETENTION CLIP: STAINLESS STEEL.  
 PROTECTIVE CAP: VINYL.  
 RETAINER: PEI-GF30, COLOR: BLACK.\*  
 \*UL94 V-0 RATED AT QUALIFYING THICKNESS.
- 2 BULK PACKAGE.



2	CERAMIC	FLANGED W/HOLES, NO CLIP	1-6278350-1
2	METAL	FLANGED W/HOLES, NO CLIP	6278350-9
2	CERAMIC	FLANGELESS	6278350-8
	CERAMIC	FLANGELESS	6278350-7
	METAL	FLANGELESS	6278350-5
	CERAMIC	FLANGED W/HOLES	6278350-3
	METAL	FLANGED W/HOLES	6278350-1
	ALIGNMENT SLEEVE	DESCRIPTION	PART NO

THIS DRAWING IS A CONTROLLED DOCUMENT FOR TYCO ELECTRONICS CORPORATION IT IS SUBJECT TO CHANGE AND THE CONTROLLING ENGINEERING ORGANIZATION SHOULD BE CONTACTED FOR THE LATEST REVISION.		DWN B. BRIGGS 18MAY2005 CHK S. MILLER 18MAY2005 APVD S. BUCHTER 18MAY2005	AMP Incorporated Harrisburg, PA 17105-3608
DIMENSIONS: mm 		TOLERANCES UNLESS OTHERWISE SPECIFIED: 0 PLC ± 1 PLC ±0.1 2 PLC ±0.05 3 PLC ± 4 PLC ± ANGLES ± FINISH -	NAME ASSEMBLY, SIMPLEX RECEPTACLE, SC/ST DIECAST HOUSING SIZE A2 CAGE CODE 00779 DRAWING NO. 6278350 RESTRICTED TO -
MATERIAL - 		PRODUCT SPEC - APPLICATION SPEC - WEIGHT -	CUSTOMER DRAWING SCALE 4:1 SHEET 1 OF 1 REV A