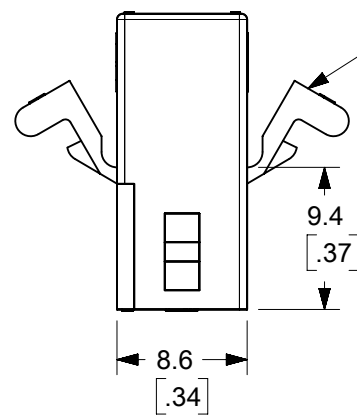
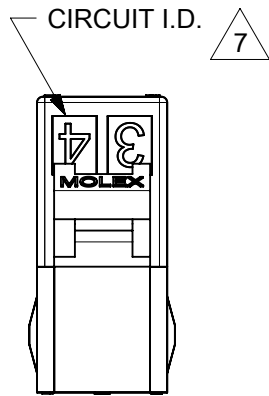
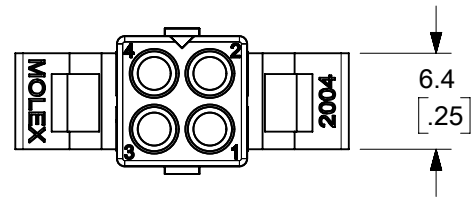
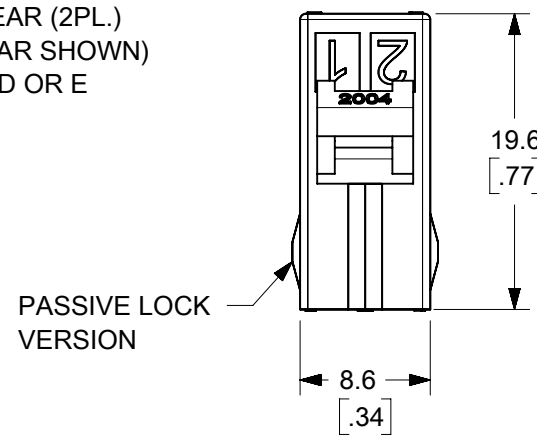


## PLUG HOUSING

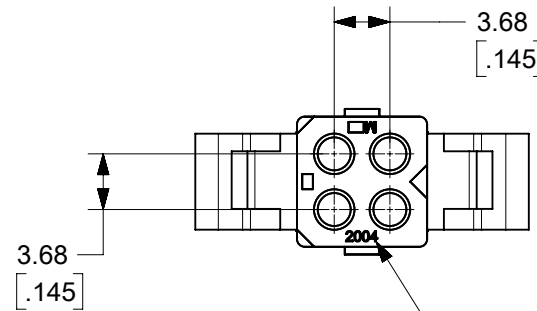
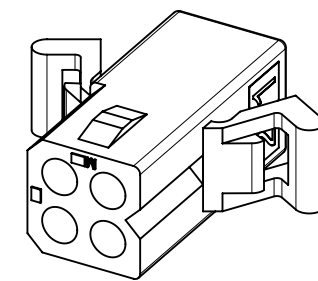
THIS DRAWING CONTAINS INFORMATION THAT IS PROPRIETARY TO MOLEX ELECTRONIC TECHNOLOGIES, LLC AND SHOULD NOT BE USED WITHOUT WRITTEN PERMISSION									
SYMBOLS		DIMENSION UNITS		SCALE		CURRENT REV DESC: REMOVE 2004-R, -RBK			
$\nabla = 0$		MM/IN		2:1		<b>molex</b> PLUG AND RECEPTACLE HOUSINGS 4 CIRCUIT .062 DIA., .145 CTRS.			
$\nabla = 0$		GENERAL TOLERANCES (UNLESS SPECIFIED)							
$\nabla = 0$			MM	INCH					
$\nabla = 0$		4 PLACES	$\pm$	$\pm$					
$\nabla = 0$		3 PLACES	$\pm$	$\pm$	0.01				
$\nabla = 0$		2 PLACES	$\pm$	$\pm$	0.25	$\pm$	0.014	EC NO: 172672	
$\nabla = 0$		1 PLACE	$\pm$	$\pm$	0.36			DRWN: ANESSER	2018/02/22
$\nabla = 0$		0 PLACES	$\pm$	$\pm$				CHK'D: MKIPPER	2018/03/05
$\nabla = 0$		ANGULAR TOL		$\pm$	$\pm$	1.0°		APPR: FSMITH	2018/03/06
$\nabla = 0$		DRAFT WHERE APPLICABLE MUST REMAIN WITHIN DIMENSIONS				THIRD ANGLE PROJECTION	DRAWING	SERIES	INITIAL REVISION:
$\nabla = 0$								DRWN: BAPPELDORN	2016/09/22
								APPR: FSMITH	2016/09/29
								PRODUCT CUSTOMER DRAWING	
								DOCUMENT NUMBER	DOC TYPE
								20040000-SD	PSD
								000	A2
								MATERIAL NUMBER	CUSTOMER
								SEE CHART	GENERAL MARKET
									SHEET NUMBER
									1 OF 3



MOUNTING EAR (2PL.)  
(PREBENT EAR SHOWN)  
SEE DETAIL D OR E



PASSIVE LOCK  
VERSION



ENG. NO. LOCATION  
FOR PARTS W/O MOUNTING EARS

## RECEPTACLE HOUSING

<b>QUALITY SYMBOLS</b> ▽ = 0 ▽ = 0 ▽ = 0 ▽ = 0 ▽ = 0 ▽ = 0 ▽ = 0 ▽ = 0 ▽ = 0 ▽ = 0 ▽ = 0 ▽ = 0	THIS DRAWING CONTAINS INFORMATION THAT IS PROPRIETARY TO MOLEX ELECTRONIC TECHNOLOGIES, LLC AND SHOULD NOT BE USED WITHOUT WRITTEN PERMISSION										
	REMOVE 2004-R, -RBK EC NO: 172672 DRWN: ANESSER CHK'D: MKIPPER APPR: FSMITH	2018/02/22	2018/03/05	2018/03/06	GENERAL TOLERANCES (UNLESS SPECIFIED)		DIMENSION UNITS	SCALE			
					MM	INCH	MM/IN	2:1			
		4 PLACES	±	±	DRWN BY	DATE	BAPPELDORN	2016/09/22			
		3 PLACES	±	± 0.01	CHK'D BY	DATE	MKIPPER	2016/09/22			
		2 PLACES	± 0.25	± 0.014	APPR BY	DATE	FSMITH	2016/09/29			
	1 PLACES	± 0.36	±	ANGULAR TOL ± 1.0		DRAWING SIZE	THIRD ANGLE PROJECTION	PRODUCT CUSTOMER DRAWING SERIES: 2004 MATERIAL NUMBER: SEE CHART CUSTOMER: GENERAL MARKET			
	0 PLACES	±	±	DRAFT WHERE APPLICABLE MUST REMAIN WITHIN DIMENSIONS		<b>B</b>		DOCUMENT NUMBER: 20040000-SD DOC TYPE: PSD DOC PART: 000 SHEET NUMBER: 2 OF 3			

PLUG	
PART NO.	ENG. NO.
03-06-2044	2004-P1
03-06-7044	2004-P1BK
46999-0719	2004-P2

RECEPTACLE	
PART NO.	ENG. NO.
03-06-1044	2004-R1
46999-0807	2004-R2

LEGEND:

P = PLUG  
R = RECEPTACLE

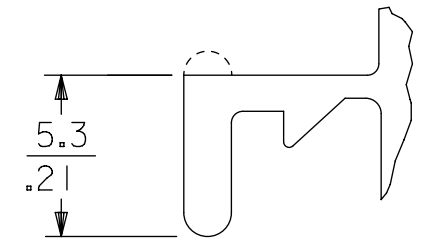
BLANK = WITH STANDARD EARS  
1 = WITHOUT EARS  
2 = WITH PREBENT EARS

COLOR:  
BLANK = NATURAL  
AM=AMBER BK=BLACK BU=BLUE  
BN=BROWN GY=GRAY GN=GREEN  
OR=ORANGE RD=RED YW=YELLOW

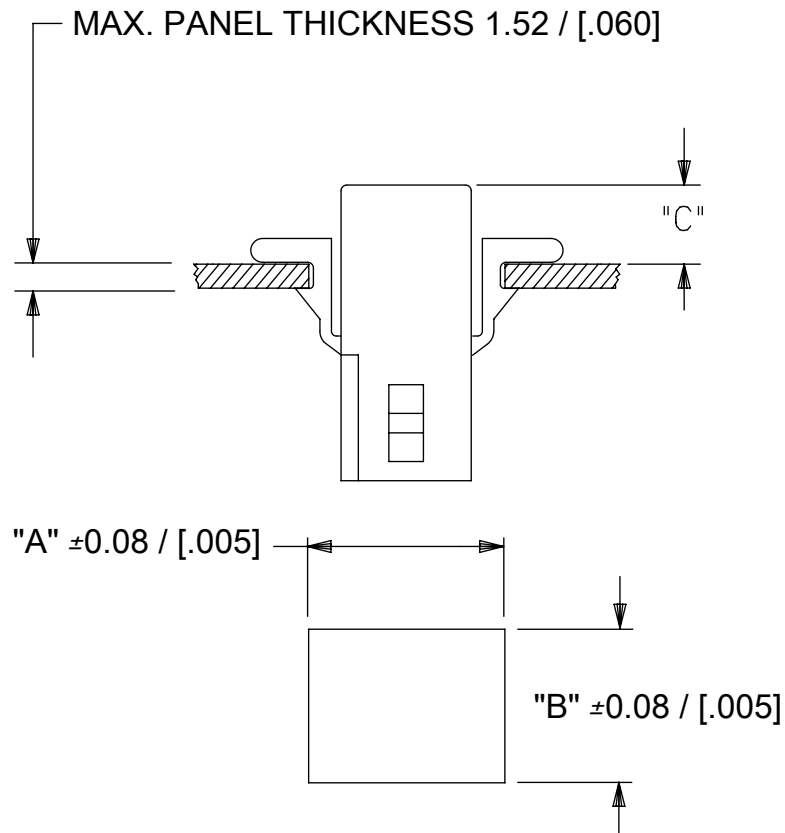
NOTES:

1. MATERIAL: NYLON 6/6 UL94V-2, COLOR: SEE LEGEND
2. FINISH: NONE
3. PRODUCT SPECIFICATION: PS-02-06
4. PACKAGING SPECIFICATION: 20040000-PK
5. THIS DIMENSION DEPENDS ON TOOLING AND MAY BE 0.75/(19.1) ON SOME PARTS.
6. HOUSINGS FOR USE WITH MOLEX .062/(1.57) DIA. TERMINALS.
7. CIRCUIT I.D. NUMBERS ON SIDE OF HOUSING DEPENDS ON TOOLING AND MAY OR MAY NOT BE PRESENT.
8. PARTS CONFORM TO CLASS B REQUIREMENTS OF COSMETIC SPECIFICATION PS-45499-002.
9. DRAWING REPLACES SD-2004-\*

2004-\*\*\*

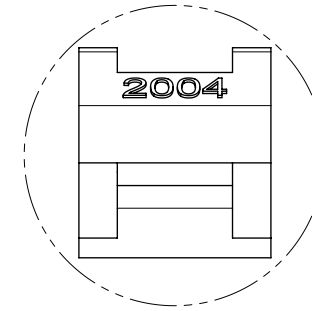


DETAIL D  
STANDARD MOUNTING EARS  
(SCALE 4:1)

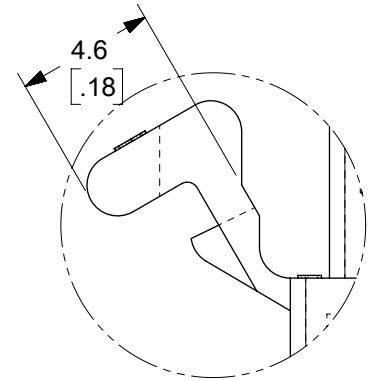


RECOMMENDED HOLE PATTERN

HOUSING	DIM. "A"		DIM. "B"		PREBENT EAR DIM. "C"		STD. EAR DIM. "C"	
	MM	IN	MM	IN	MM	IN	MM	IN
PLUG	15.62	.615	11.81	.465	6.6	.26	6.6	.26
RECEPTACLE	12.85	.506	10.16	.400	6.1	.24	6.1	.24



DETAIL F  
SCALE 4:1



DETAIL E  
SCALE 4:1

PRE-BENT MOUNTING EARS  
(SCALE 4:1)

THIS DRAWING CONTAINS INFORMATION THAT IS PROPRIETARY TO MOLEX ELECTRONIC TECHNOLOGIES, LLC AND SHOULD NOT BE USED WITHOUT WRITTEN PERMISSION									
SYMBOLS		DIMENSION UNITS		SCALE		CURRENT REV DESC: REMOVE 2004-R, -RBK			
▽ = 0		MM/IN		1:1		<b>molex</b> PLUG AND RECEPTACLE HOUSINGS 4 CIRCUIT .062 DIA., .145 CTRS.			
▽ = 0		GENERAL TOLERANCES (UNLESS SPECIFIED)							
▽ = 0		MM		INCH		EC NO: 172672 DRWN: ANESSER 2018/02/22 CHK'D: MKIPPER 2018/03/05 APPR: FSMITH 2018/03/06			
▽ = 0		4 PLACES ±		±		PRODUCT CUSTOMER DRAWING DOCUMENT NUMBER: 20040000-SD DOC TYPE: PSD DOC PART: 000 REVISION: A2			
▽ = 0		3 PLACES ±		± 0.01					
▽ = 0		2 PLACES ±		± 0.014		INITIAL REVISION: DRWN: BAPPELDORN 2016/09/22 APPR: FSMITH 2016/09/29			
▽ = 0		1 PLACE ±		± 0.036					
▽ = 0		0 PLACES ±		±		MATERIAL NUMBER: SEE CHART CUSTOMER: GENERAL MARKET SHEET NUMBER: 3 OF 3			
▽ = 0		ANGULAR TOL ±		± 1.0°		DRAFT WHERE APPLICABLE MUST REMAIN WITHIN DIMENSIONS THIRD ANGLE PROJECTION DRAWING: B-SIZE SERIES: 2004			