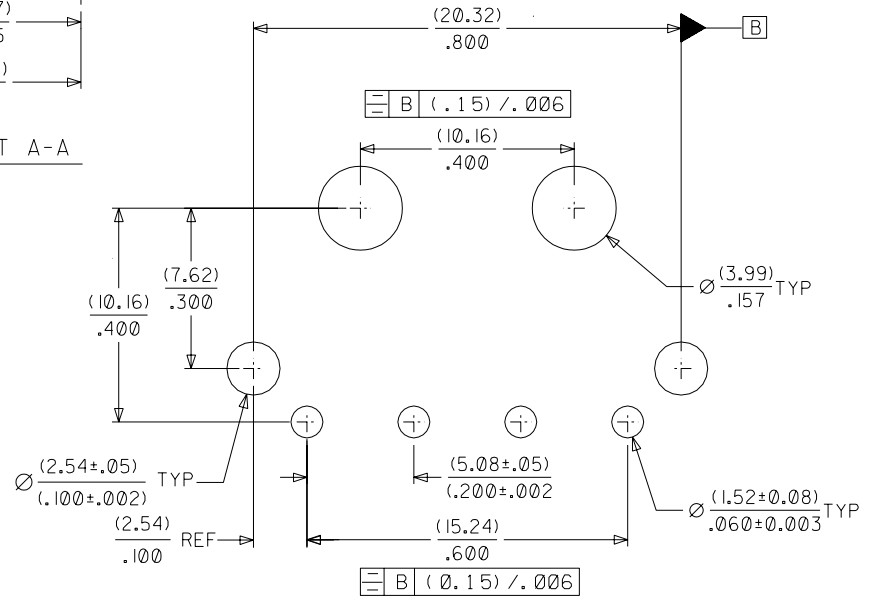


- NOTES:
- 1) MATERIAL
 HOUSING - NYLON, TYPE 6/6, 94V-2, COLOR - NATURAL
 TERMINAL - PHOSPHOR BRONZE
 PLATING - POSTPATE (0.00254)/.000100 MIN.
 TIN/LEAD OVER (0.00127)/.000050 MIN.
 NICKEL OVERALL.
 - 2) PART INTENDED FOR USE WITH PLUG # 8981-4P AND
 TERMINAL # 8980-R*
 - 3) PRODUCT SPEC 8981 APPLIES.



RECOMMENDED P.C. BOARD LAYOUT (TOL. +/- (.13)/.005)

ASSY P.N.	PART NO.	'L'
A-8981-4R-1	15-24-4041	(3.56)/.140
AX-8981-4R-2	----	(2.79)/.110
AX-8981-4R-3	----	(2.92)/.115

S2003-0222
 BHLOW 20021009
 PTLIM 20021125
 SK TOH 20021125

0	-	-	NTS	X		
0	-	-	G. R. XIE / 010502			X
	20	008	KC LING 20010502			ASSY, HEADER, 4 CKT
			SK TOH 20010503			R/A MOUNT
		3				