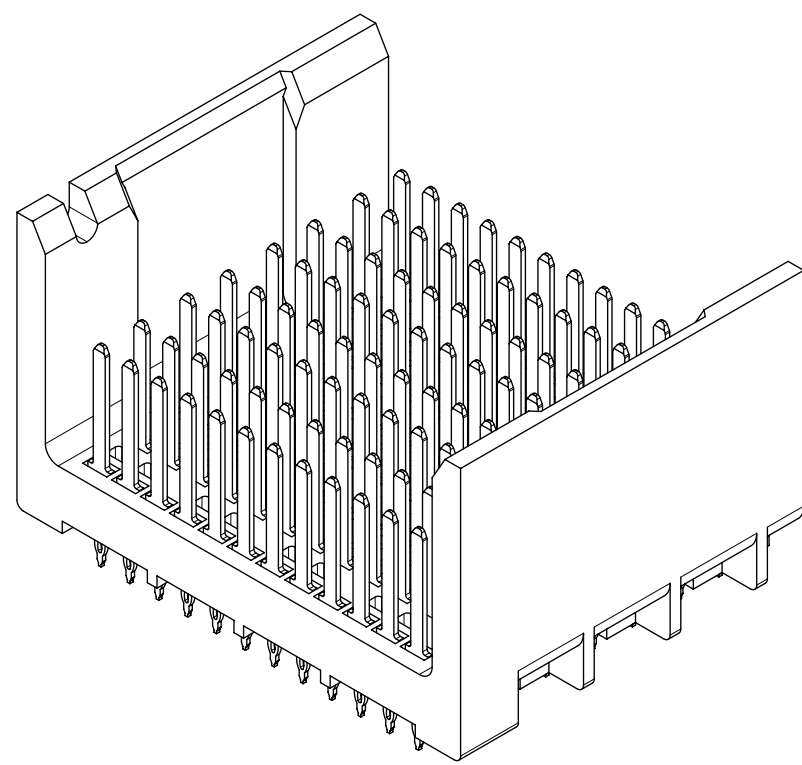


MATERIAL NUMBER	# OF COLUMNS	# OF DIFF PAIR	DIM "A"	DIM "B"	MODULE TYPE
76849-182*	8	32	18.9	14.05	DUAL ENDWALL
76849-180*	8	32	16.1	14.05	OPEN ENDED



OPEN END OPTION

76849-* ***

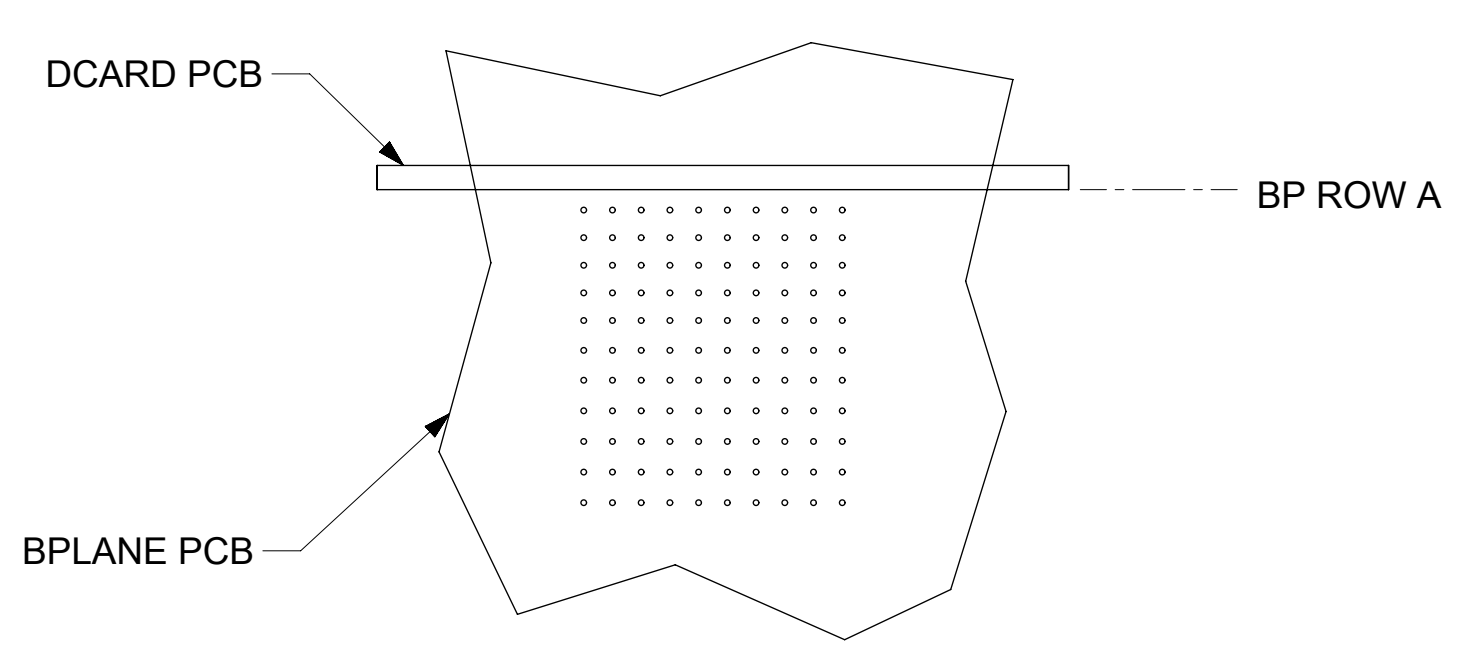
MODULE TYPE
1 = UNGUIDED, TIN

OF COLUMNS
8 = 8 COL

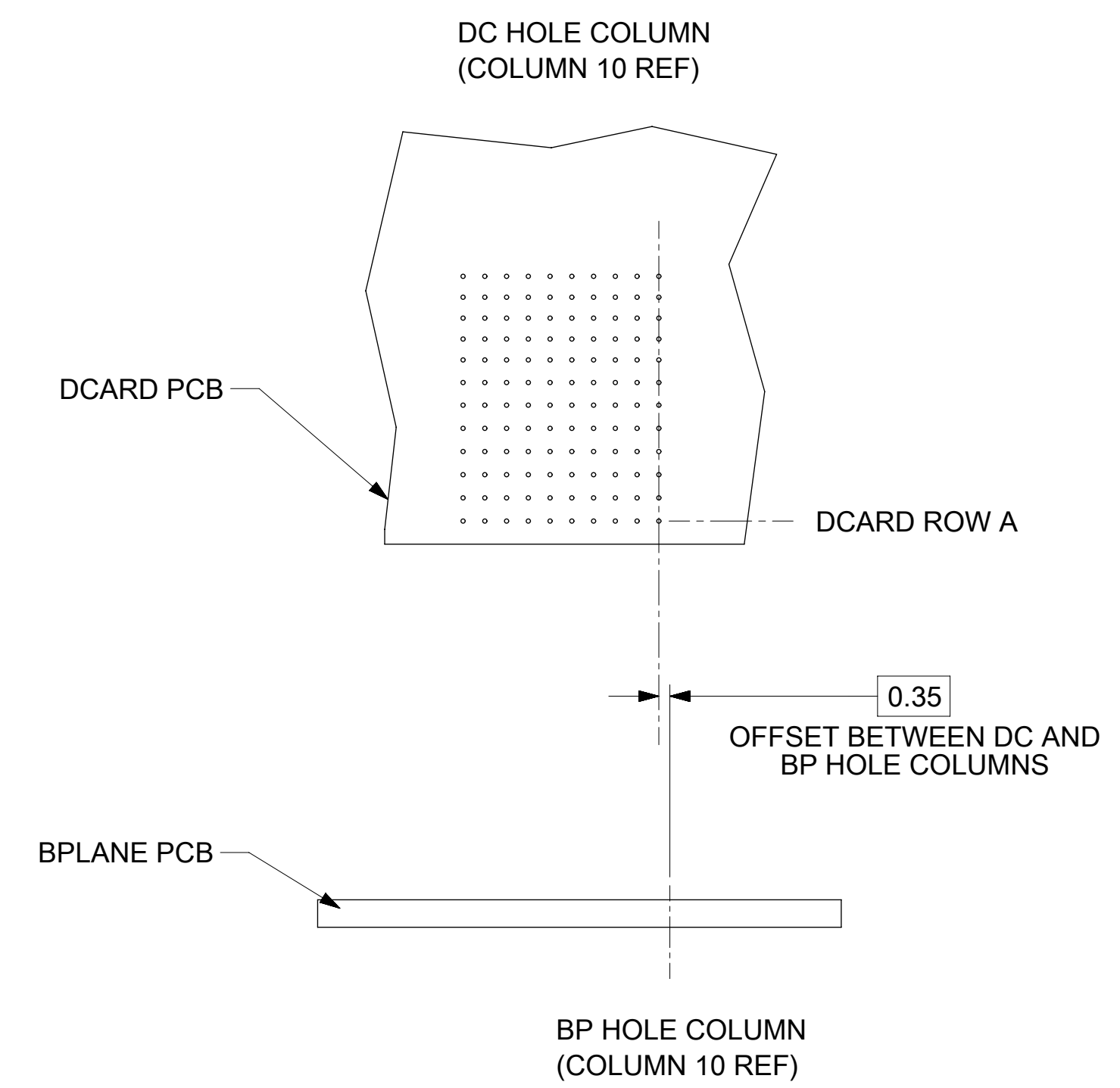
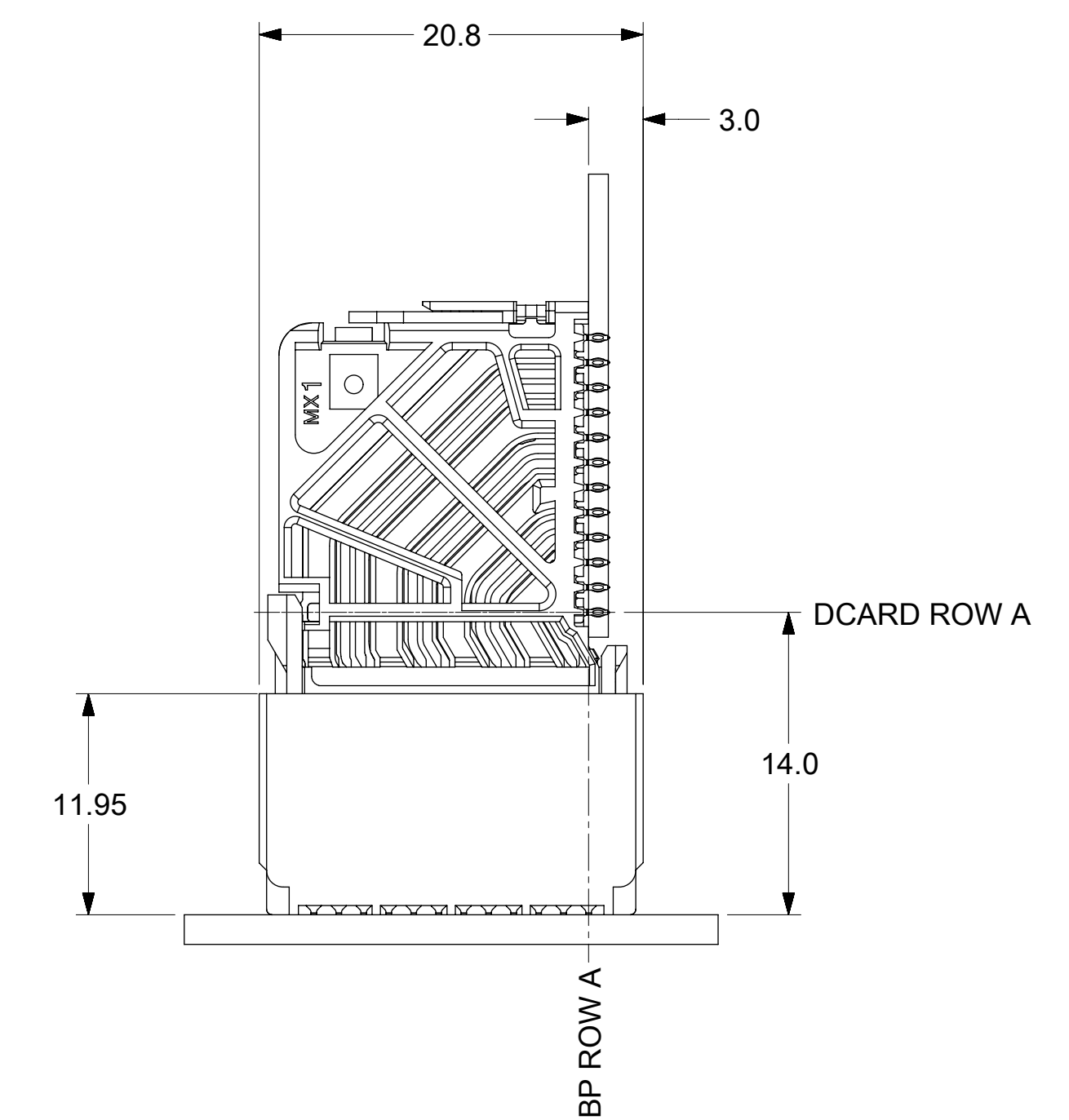
PIN LENGTH (P)
4 = 4.90, (0.46 PTH)
5 = 5.50, (0.46 PTH)
7 = 4.90, (0.39 PTH)
8 = 5.50, (0.39 PTH)

ENDWALL OPTIONS
0 = OPEN ENDS
2 = DUAL ENDWALL

QUALITY SYMBOLS	THIS DRAWING CONTAINS INFORMATION THAT IS PROPRIETARY TO MOLEX ELECTRONIC TECHNOLOGIES, LLC AND SHOULD NOT BE USED WITHOUT WRITTEN PERMISSION											
▽ = 0	EC NO: 123322 DRWN: NSRVATSAHS CHKD: PRAMASWAMY APPR: PRAMASWAMY 2017/10/17 2017/10/18 MIGRATED TO NX	GENERAL TOLERANCES (UNLESS SPECIFIED)				DIMENSION UNITS	SCALE					
▽ = 0		ANGULAR TOL ± 0.5 °				mm	1:1					
▽ = 0		4 PLACES ±				DRWN BY	DATE	IMPACT ORTHO ROUTABLE 4 PAIR HEADER ASSEMBLY UNGUIDED SALES DRAWING				
▼ = 0		3 PLACES ±				JMENDOZA	2010/04/01					
▽ = 0		2 PLACES ± 0.13				CHK'D BY	DATE					
▽ = 0		1 PLACE ± 0.25				JBINGHAM	2010/04/01					
⊠ = 0		0 PLACES ±				APPR BY	DATE	PRODUCT CUSTOMER DRAWING				
■ = 0		DRAFT WHERE APPLICABLE MUST REMAIN WITHIN DIMENSIONS				DRAWING SIZE	THIRD ANGLE PROJECTION	SERIES	MATERIAL NUMBER	CUSTOMER		
▽ = 0		A2	C	C		76849	SEE CHART	GENERAL MARKET				
						DOCUMENT NUMBER	PSD	DOC PART	SHEET NUMBER			
					SD-76849-0001	001	2 OF 3					



IMPACT ORTHO 4 PAIR BOARD RELATIONSHIPS



QUALITY SYMBOLS		THIS DRAWING CONTAINS INFORMATION THAT IS PROPRIETARY TO MOLEX ELECTRONIC TECHNOLOGIES, LLC AND SHOULD NOT BE USED WITHOUT WRITTEN PERMISSION									
▽ = 0	▽ = 0	MIGRATED TO NX EC NO: 123322 DRWN: NSRVATSAHS CHKD: PRAMASWAMY REV / APPR:	2017/10/17	2017/10/18	GENERAL TOLERANCES (UNLESS SPECIFIED)		DIMENSION UNITS	SCALE	molex		
▽ = 0	▽ = 0				mm	4:1					
▽ = 0	▽ = 0				ANGULAR TOL ± 0.5 °	DRWN BY	DATE	IMPACT ORTHO ROUTABLE 4 PAIR HEADER ASSEMBLY UNGUIDED SALES DRAWING			
▽ = 0	▽ = 0				4 PLACES ±	JMENDOZA	2010/04/01				
▽ = 0	▽ = 0				3 PLACES ±	CHK'D BY	DATE	PRODUCT CUSTOMER DRAWING			
▽ = 0	▽ = 0	2 PLACES ± 0.13	JBINGHAM	2010/04/01							
▽ = 0	▽ = 0	1 PLACE ± 0.25	APPR BY	DATE	SERIES	MATERIAL NUMBER	CUSTOMER	76849 SEE CHART GENERAL MARKET			
▽ = 0	▽ = 0	0 PLACES ±	DRAFT WHERE APPLICABLE MUST REMAIN WITHIN DIMENSIONS		DRAWING SIZE	THIRD ANGLE PROJECTION	DOCUMENT NUMBER				DOC TYPE
▽ = 0	▽ = 0	A2	C	3	C	3	SD-76849-0001	PSD	001	3 OF 3	