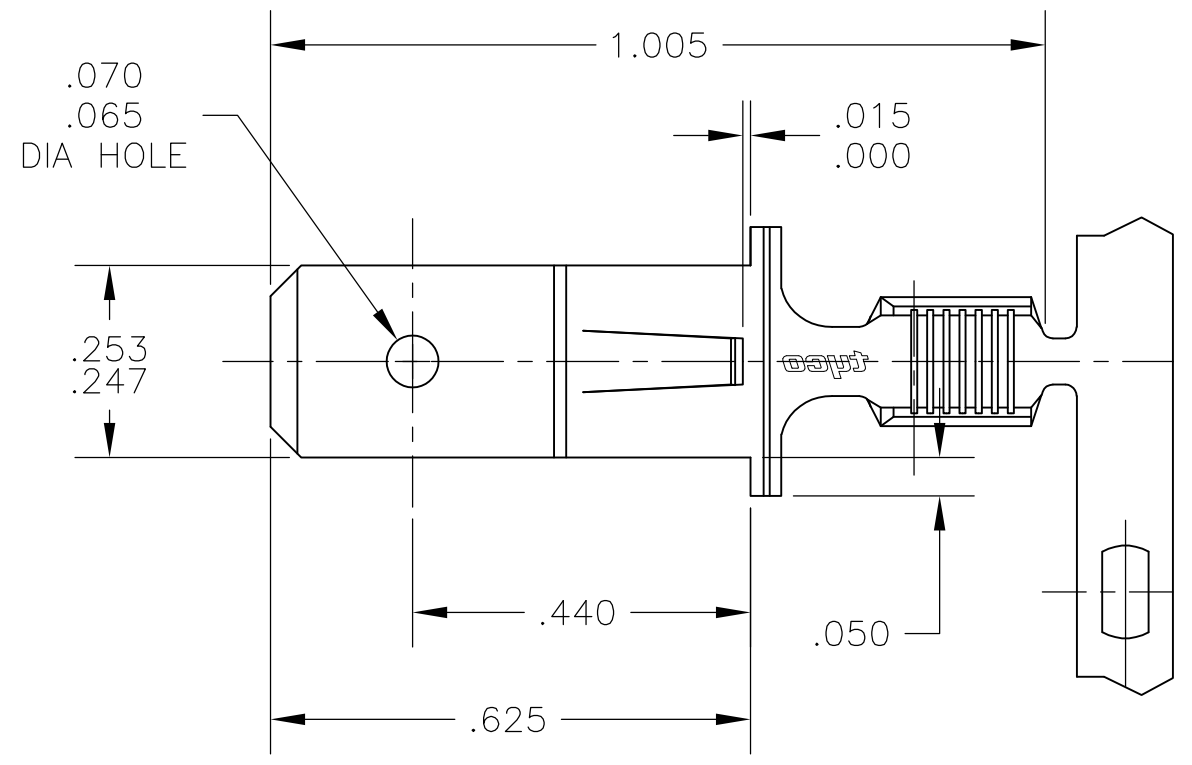


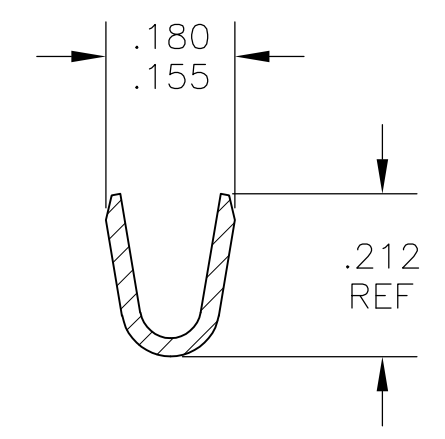
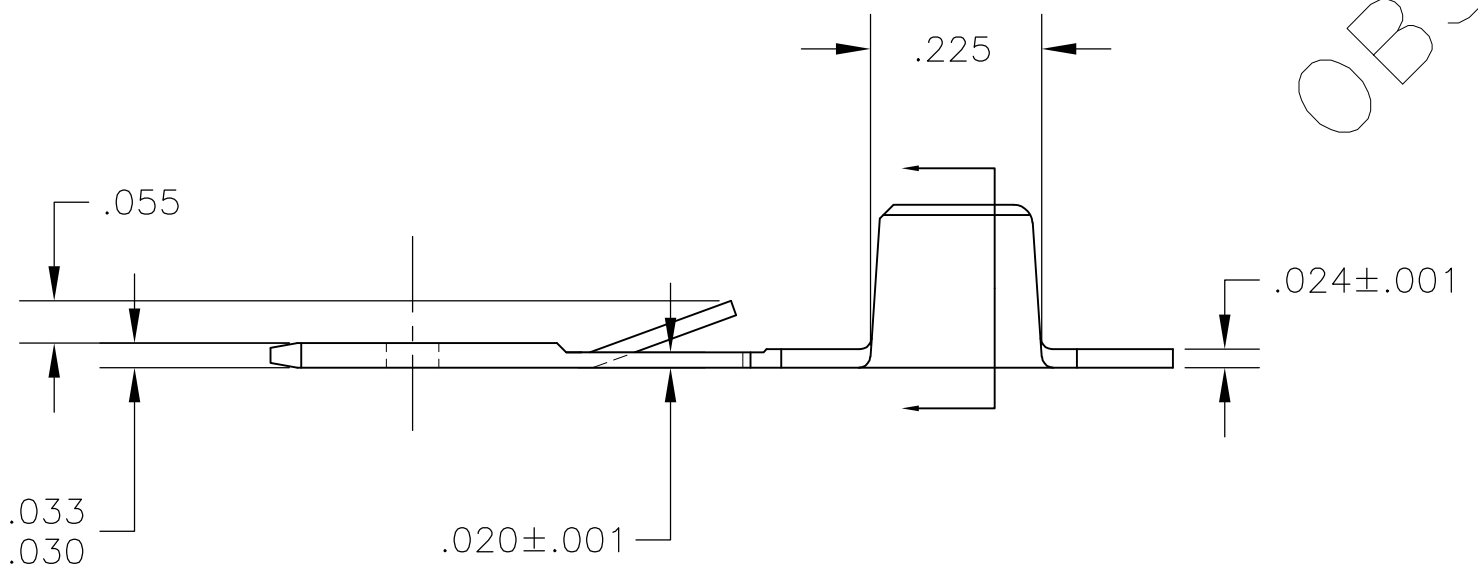
THIS DRAWING IS UNPUBLISHED. RELEASED FOR PUBLICATION  
 © COPYRIGHT - By - ALL RIGHTS RESERVED.

REVISIONS				
P	LTR	DESCRIPTION	DATE	APVD
	B1	ECR-17-006546	12MAY17	GG TD



- 1 CONTINUOUS STRIP ON REELS
- 2 WIRE SIZE 3000 - 7000 CMA
- 3 CRIMP INFO: WIDTH .140, F TYPE  
 CRIMP HT. ( $\pm .002$ ) = (TOTAL CMA + 17,000)/240,000

OBSOLETE



1742265-1  
 PART NO

THIS DRAWING IS A CONTROLLED DOCUMENT.		DWN jr_ruth 11APR05	TE Connectivity		
DIMENSIONS: INCHES 		CHK K RANDOLPH 11APR05			
TOLERANCES UNLESS OTHERWISE SPECIFIED: 0 PLC ± - 1 PLC ± - 2 PLC ± - 3 PLC ± .010 4 PLC ± - ANGLES ± 5°		APVD K RANDOLPH 11APR05	TAB, FASTIN-FASTON, AMPLIVAR, .250 SERIES		
MATERIAL BRASS		FINISH .000080 MIN TIN	PRODUCT SPEC -	APPLICATION SPEC 114-2146	RESTRICTED TO -
			WEIGHT 0.000000	SIZE A3	CAGE CODE 00779
CUSTOMER DRAWING			DRAWING NO C-1742265	SCALE 4:1	SHEET 1 OF 1
				REV B1	