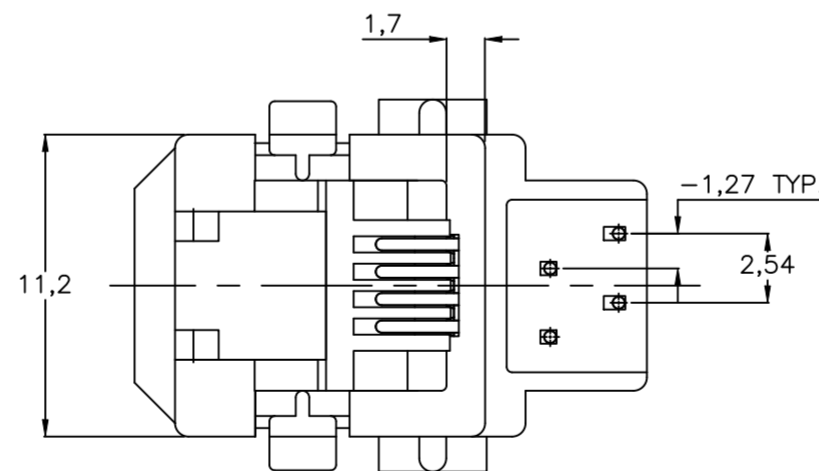
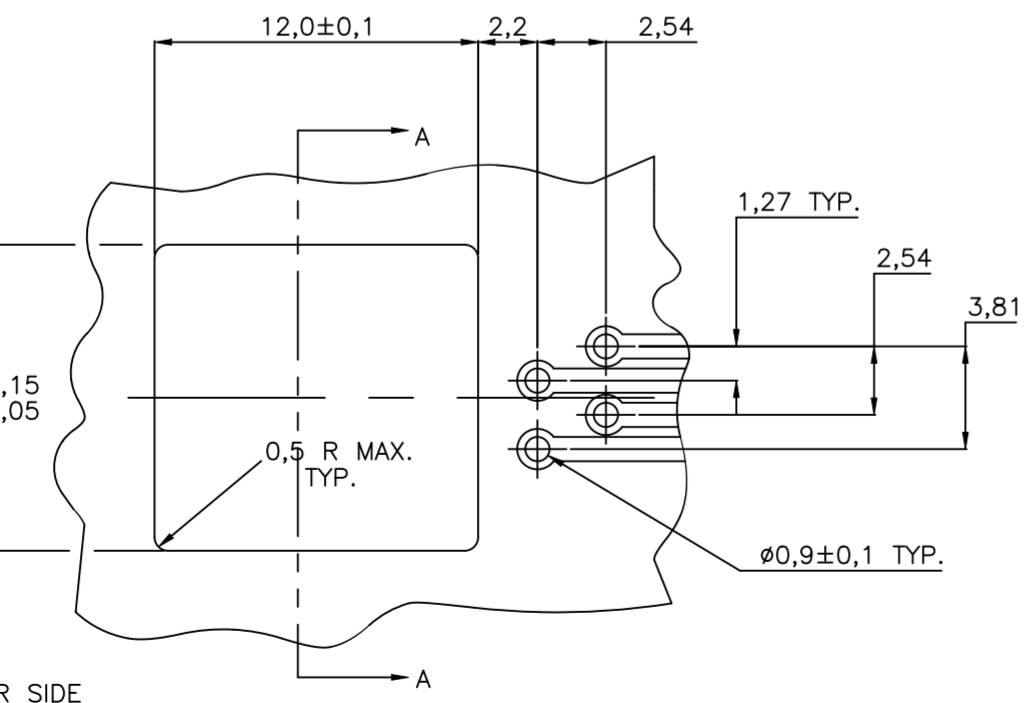
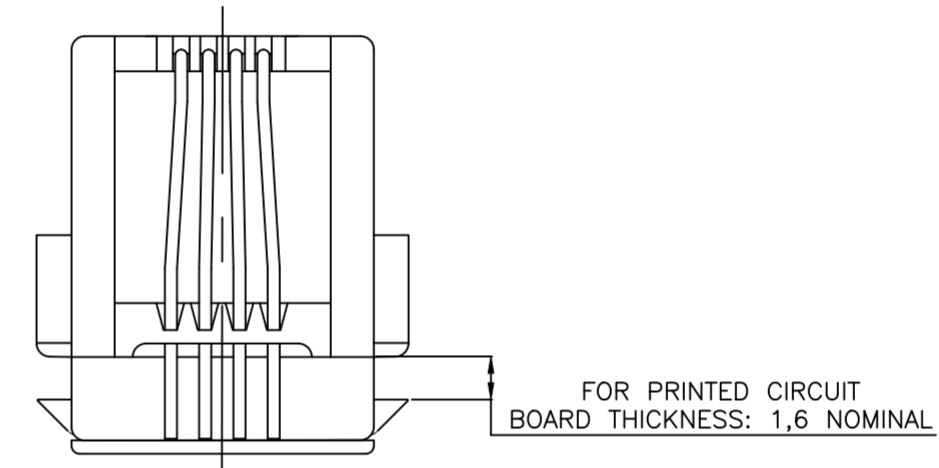
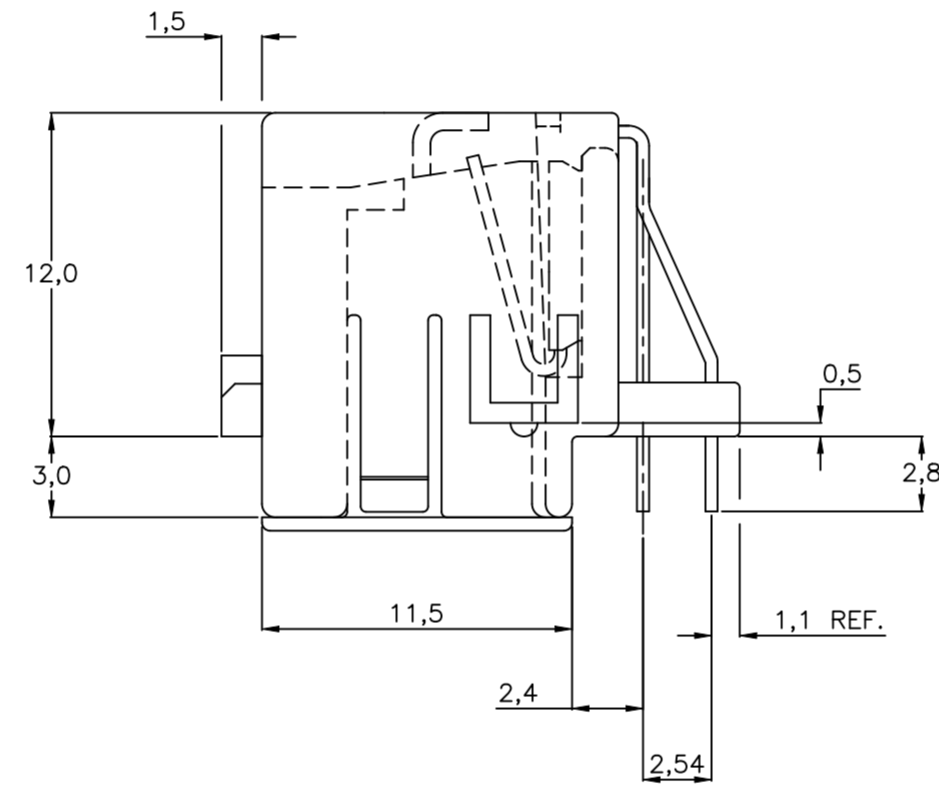
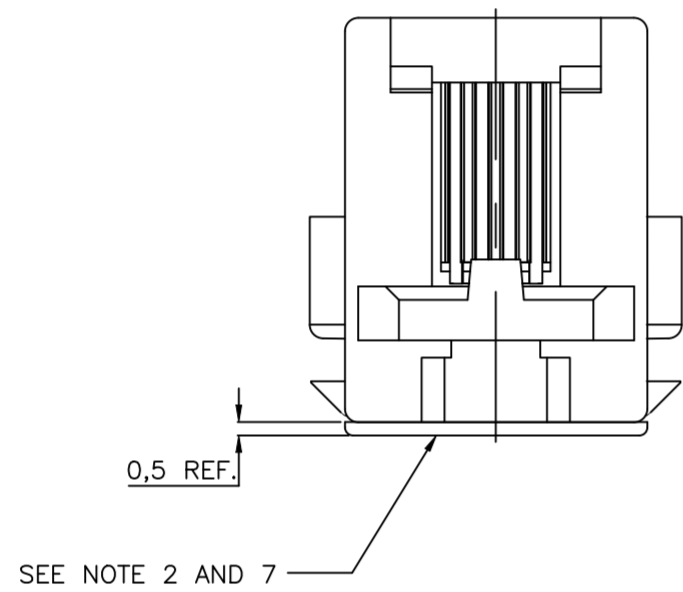
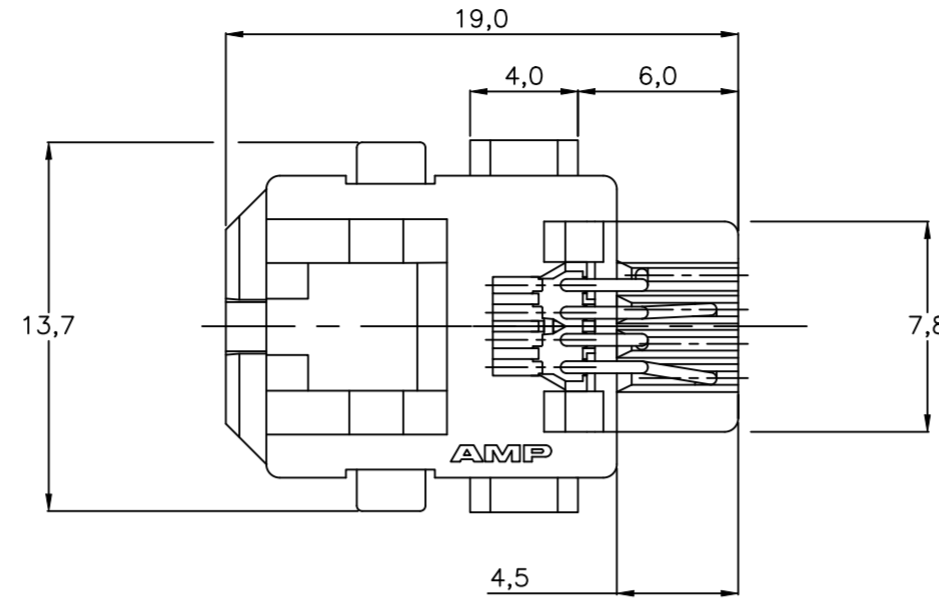


P	LTR	DESCRIPTION	DATE	DWN	APVD
	P4	REVISED PER ECN-23-209787	24APR2023	AB	SZ

NOTES:

- TOLERANCES UNLESS OTHERWISE SPECIFIED: $\pm 0,15$.
- MODULAR JACK P.N. 216444-1, 216444-2, 3-216444-1, 4-216444-1 ARE DELIVERED WITH PLASTIC SOLDER STOP INSTALLED, TO PREVENT SOLDER ENTERING THE JACK. REMOVE SOLDER STOP AFTER SOLDERING.
- FOR PERFORMANCE REQUIREMENTS SEE TE PRODUCT SPECIFICATION 108-19064.
- FOR APPLICATION REQUIREMENTS SEE TE APPLICATION SPECIFICATION 114-19019.
- FOR PACKAGING SEE SHEET 2.
- PREFERRED DIRECTION FOR STAMPING OF HOLE TO OBTAIN A BROKEN EDGE AT JACK ENTRY SIDE.
- TRUE POSITIONING OF THE SOLDER TINES MAY BE AFFECTED BY BULK PACKAGING. THE SOLDER STOP COULD BE LOOSENED DURING TRANSPORT.
- MODULAR JACK PN 9-216444-9 IS DELIVERED WITHOUT SOLDER STOP SO CUSTOMER HAS TO VERIFY THIS PART BEFORE CONSIDERING FOR MASS PRODUCTION.



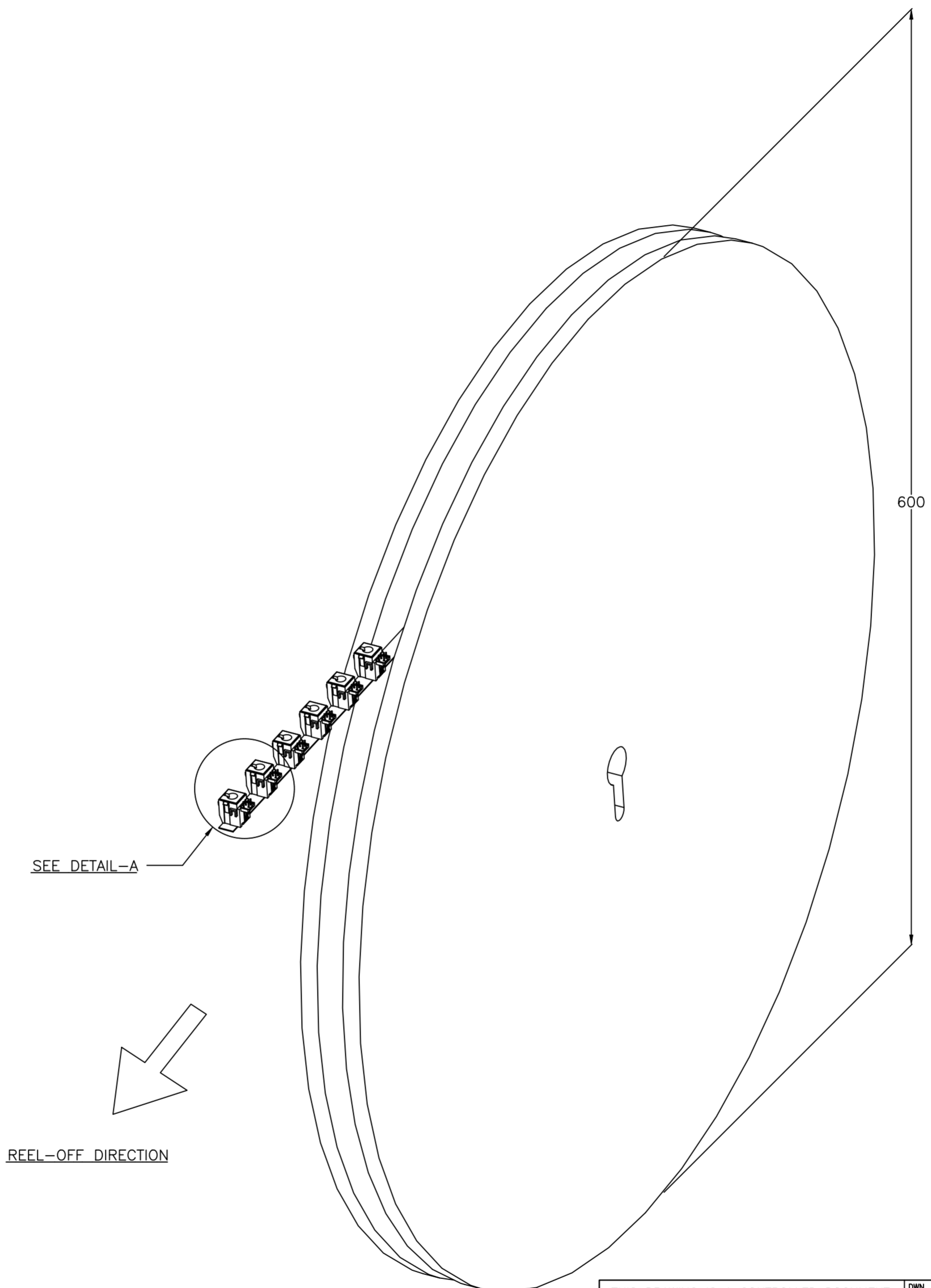
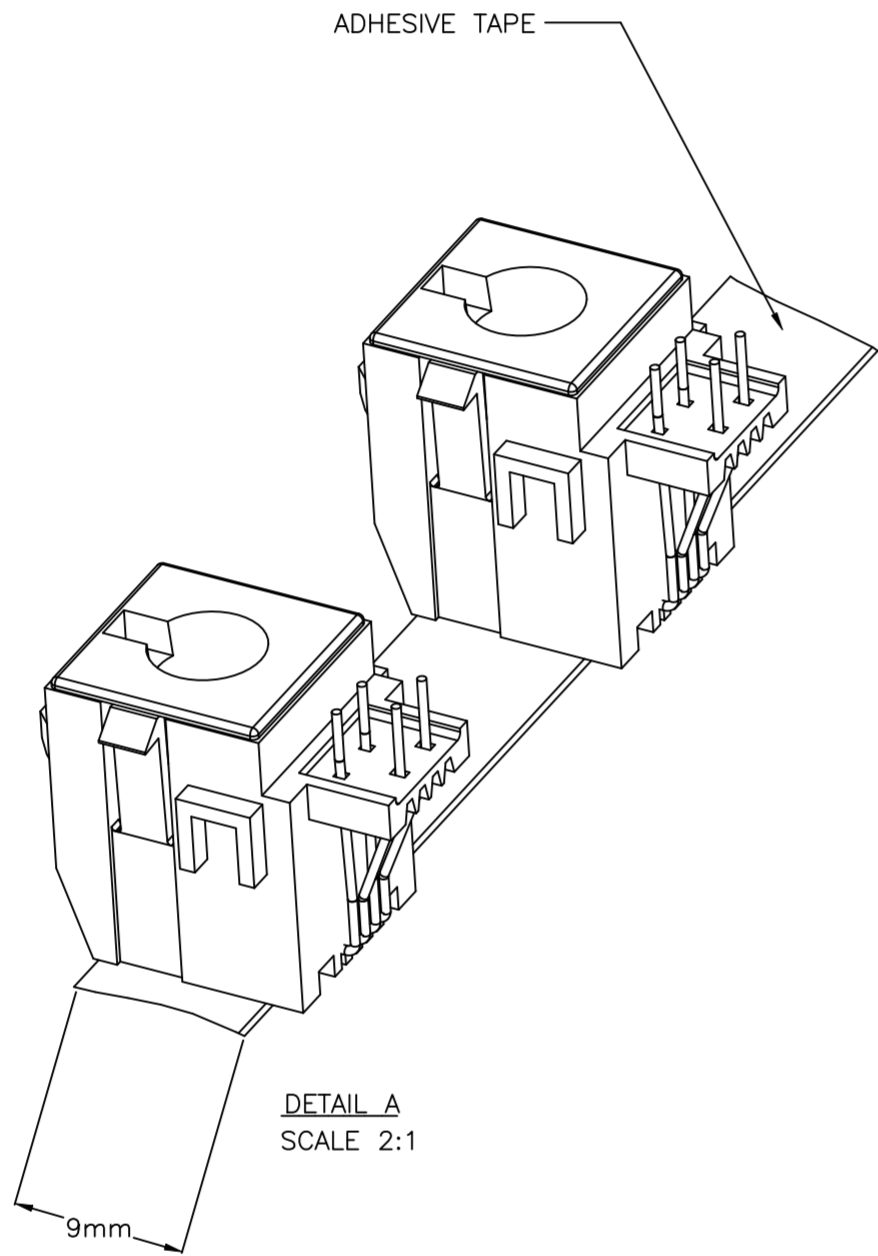
REMARKS	PACKAGING	REMARKS	FINISH	MATERIAL	PARTNUMBER
800pcs PER 60cm DIA REEL	BULK PACKAGED 800PCS IN A BOX	4 POS. / 4 CONTACTS WITH SOLDER STOP	CONTACTS: 1,25µm MIN. GOLD OVER	HOUSING: 20% G.F. NYLON COLOR: BLACK UL 94-HB CONTACTS: PHOS. BRONZE	9-216444-9
800pcs PER 60cm DIA REEL	BULK PACKAGED 800PCS IN A BOX	4 POS. / 4 CONTACTS WITH SOLDER STOP BULK PACKAGED 800 pcs. ON 60cm DIA REEL	CONTACTS: 1,25µm MIN. NICKEL IN CONTACT AREA. 1,25µm MIN. TIN-LEAD OVER 1,25µm MIN. NICKEL ON SOLDER TINES.	HOUSING: 25% G.F. NYLON COLOR: BLACK UL 94V-0 CONTACTS: PHOS. BRONZE	216444-2
500pcs IN A BOX	BULK PACKAGED 500PCS IN A BOX	4 POS. / 4 CONTACTS WITH SOLDER STOP BULK PACKAGED 500 pcs/BOX		HOUSING: 20% G.F. NYLON COLOR: BLACK UL 94-HB CONTACTS: PHOS. BRONZE	4-216444-1
1000pcs IN A BOX	BULK PACKAGED 1000PCS IN A BOX	4 POS. / 4 CONTACTS WITH SOLDER STOP BULK PACKAGED 1000 pcs/BOX			3-216444-1
800pcs PER 60cm DIA REEL	BULK PACKAGED 800PCS IN A BOX	4 POS. / 4 CONTACTS WITH SOLDER STOP FOR PACKAGING SEE SHEET 2			216444-1

PRINTED CIRCUIT BOARD LAYOUT
TOLERANCES UNLESS OTHERWISE SPECIFIED: $\pm 0,05$

THIS DRAWING IS A CONTROLLED DOCUMENT.

DIMENSIONS: mm	TOLERANCES UNLESS OTHERWISE SPECIFIED:	DWN: E.V.EIJK	17DEC96	TE Connectivity Ltd. MODULAR JACK, 4 POS. BOTTOM ENTRY VERSION FOR PRINTED CIRCUIT BOARD MOUNTING
0 PLC ± -	1 PLC ± -	CHK: W. BRUMMANS	NAME: R. SMEETS	
2 PLC ± -	3 PLC ± -	APVD: R. SMEETS	PRODUCT SPEC	
4 PLC ± -	ANGLES ± -	APPLICATION SPEC	FINISH	
MATERIAL	FINISH	WEIGHT	SIZE: A2	CAGE CODE: 00779
			DRAWING NO: C-216444	RESTRICTED TO: -
			CUSTOMER DRAWING	SCALE: NTS
				SHEET: 1 of 2
				REV: P4

REVISIONS					
P	LTR	DESCRIPTION	DATE	DWN	APVD
-	-	SEE SHEET 1	-	-	-



THIS DRAWING IS A CONTROLLED DOCUMENT.		DWN E.V.EIJK CHK W. BRUMMANS APVD R. SMEETS	17DEC96	TE Connectivity Ltd.	
DIMENSIONS: mm 		TOLERANCES UNLESS OTHERWISE SPECIFIED: 0 PLC ± - 1 PLC ± - 2 PLC ± - 3 PLC ± - 4 PLC ± - ANGLES ± -		NAME 4 POS. BOTTOM ENTRY MODULAR JACK PACKAGING	
MATERIAL		WEIGHT		SIZE A2	RESTRICTED TO
		CUSTOMER DRAWING		CAGE CODE 00779	DRAWING NO C-216444
				SCALE NTS	SHEET 2 of 2
				REV P4	