



# 2620QK and 2622QK Series Non-Relampable Neon Indicator Lights



## Description and Features

**Mounting:** Supplied with push-on speednut SN2089

**Terminal:** Quick Connector, Tinned Brass

**Lens:** Polycarbonate

**Housing:** White Nylon

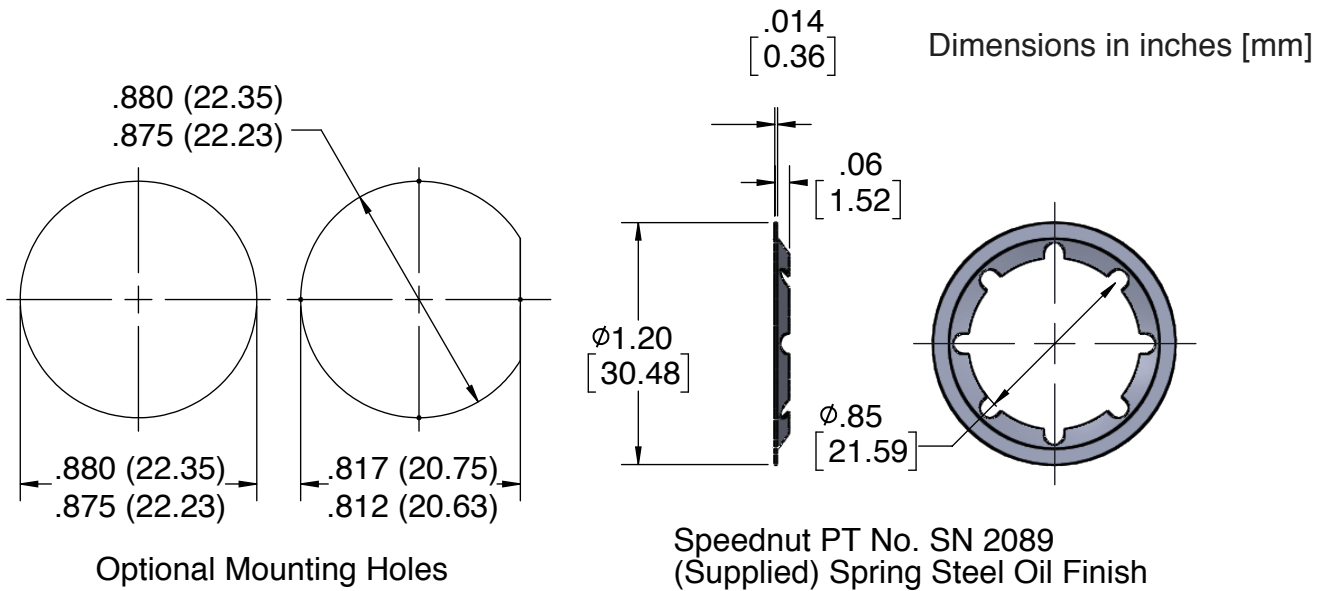
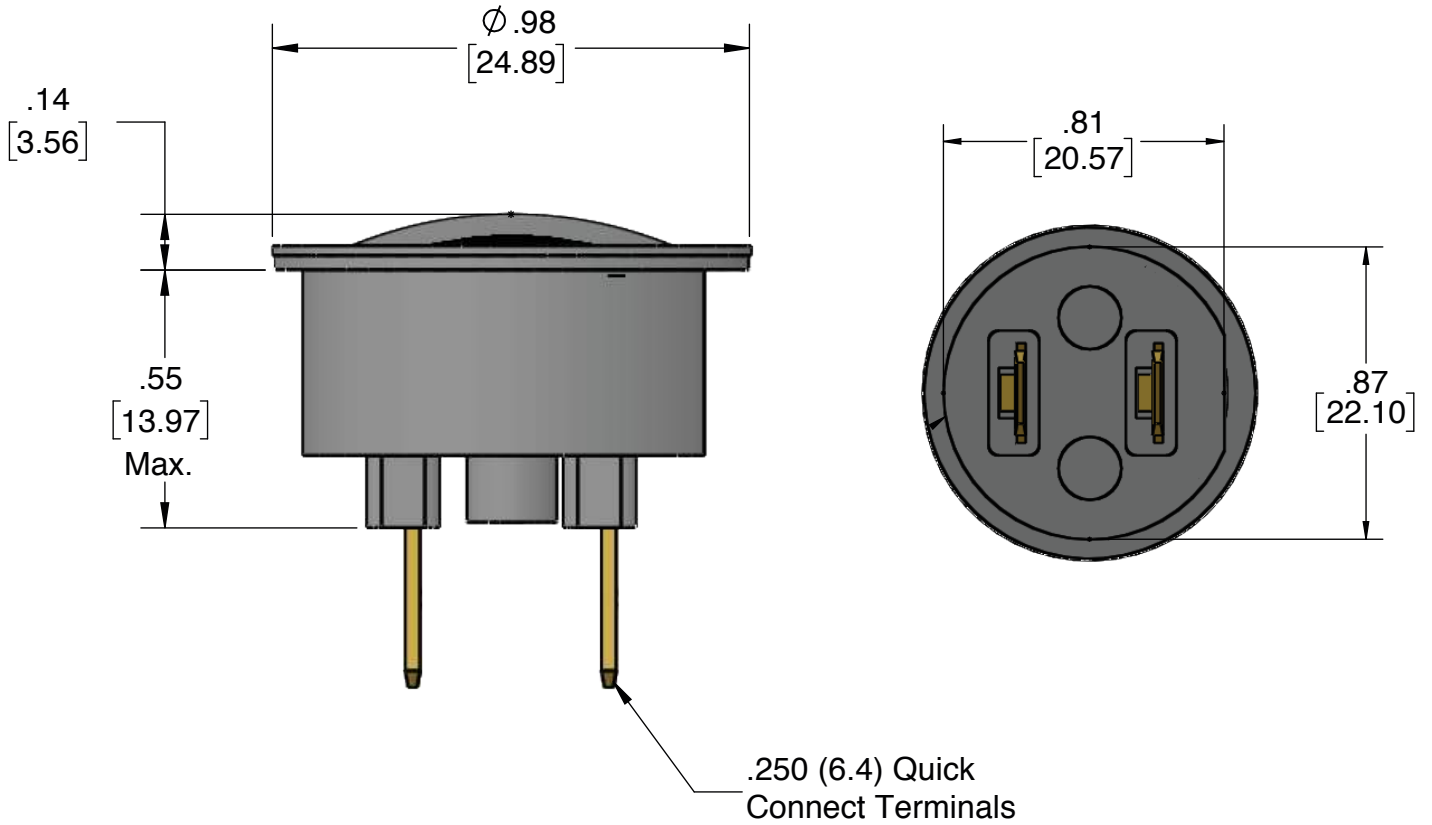
Underwriters Laboratories (UL) File No.E20356

## Ordering Data

| Lens Color | Neon                      |
|------------|---------------------------|
|            | Model No.<br>(105-125VAC) |
| Red        | 2620QK1                   |
| Amber      | 2620QK3                   |
| White      | 2620QK4                   |
| Green      | 2622QK5*                  |
| Lamp used  | C2A+Resistor              |

\*Incorporates G2B lamp and resistor

## Product Dimensions



## Compliances and Approvals

